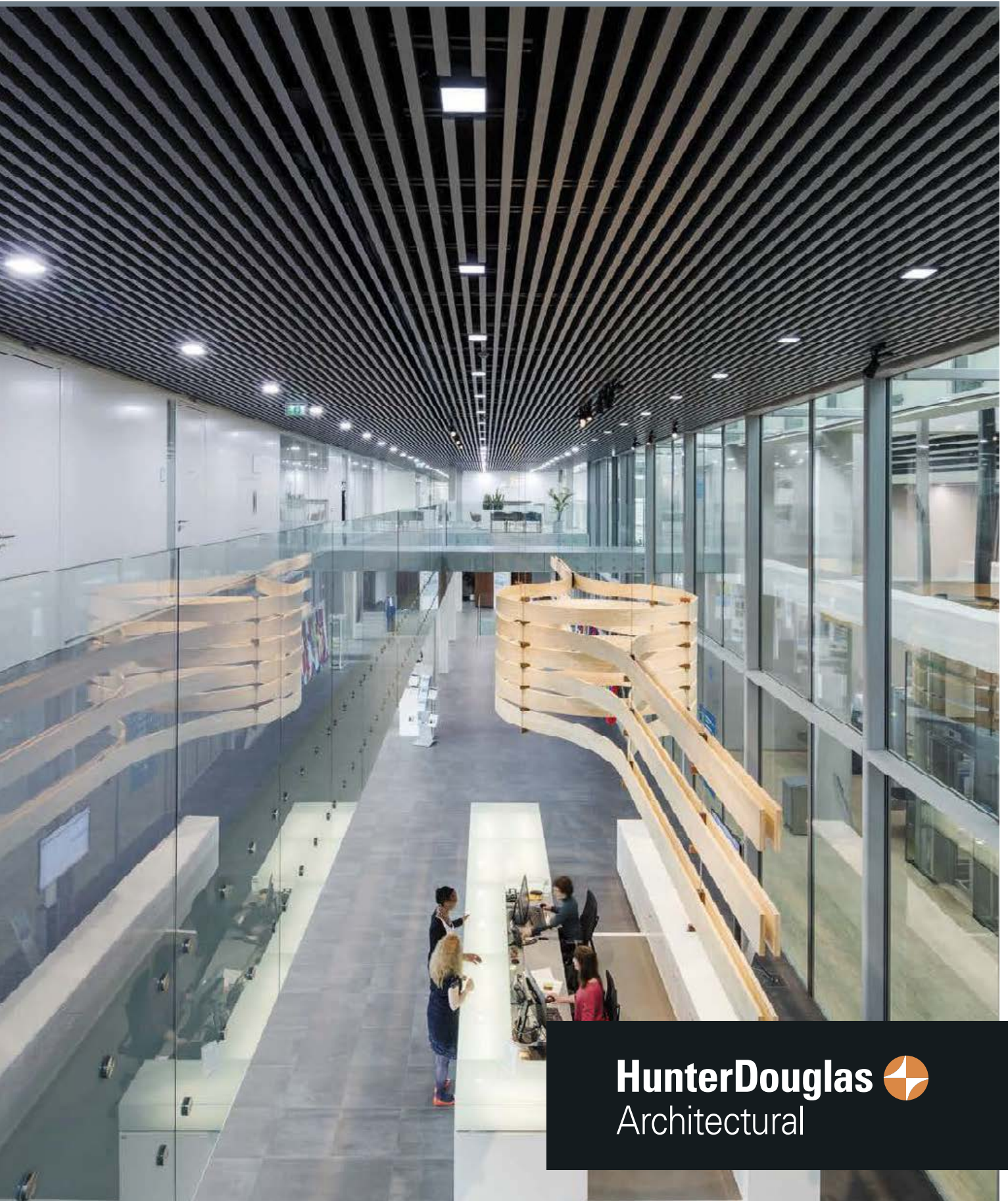


# Commercial Ceilings & Walls Product Guide

2018 | 2019



**HunterDouglas**   
Architectural





Designed to work for you

---

COVER:

Project : *International Criminal Court,  
The Hague, The Netherlands*

Architect : *Schmidt Hammer Lassen*

Product : *Linear 30BD and 40BD*



# Commercial Ceilings & Walls Product Guide

2018 | 2019

---







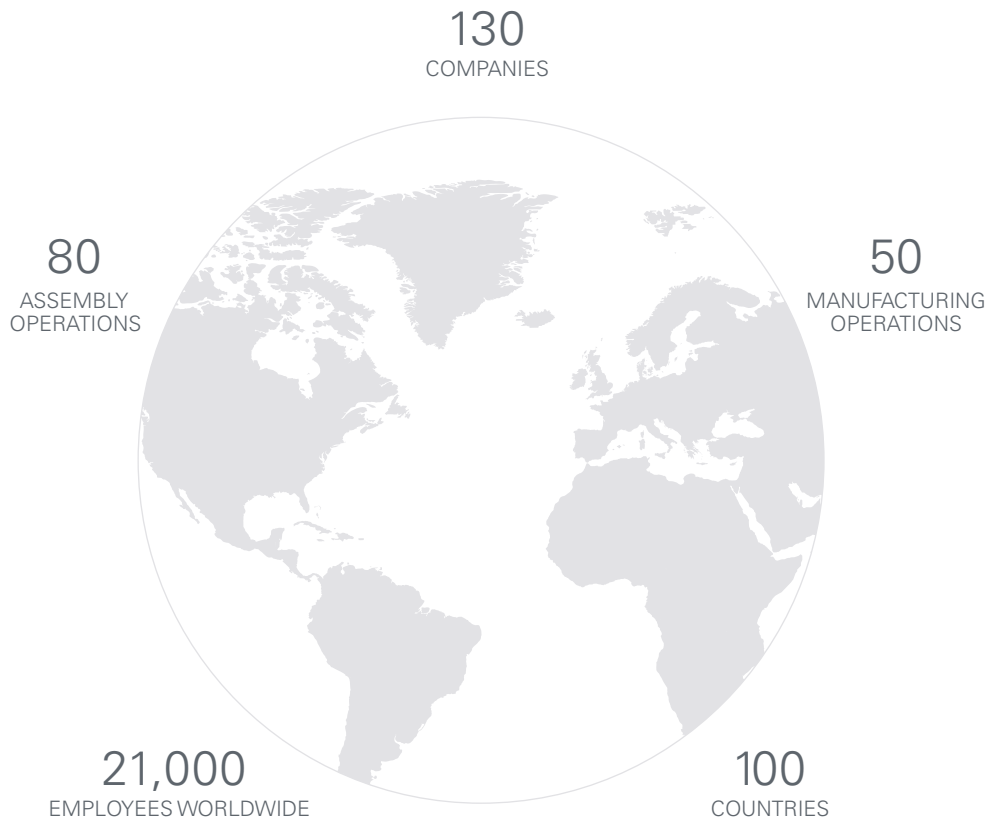
## DESIGNED TO WORK FOR YOU

Hunter Douglas is fluent in design. Working with architects and contractors, we translate aesthetic specifications into construction requirements, creating solutions that express the vision of each project. For over 60 years, this collaborative approach has contributed to thousands of buildings around the world.

We define success by our ability to meet unique challenges, define new products and applications, and find ways to do more with less. From pre-engineered standards to innovative custom systems, the Hunter Douglas Architectural team helps you create versatile, sustainable and durable ceiling and wall solutions.

*Project : Canarias Airport,  
Las Palmas de Gran Canaria, Spain  
Architect: Estudio LAMELA  
Product : Linear 30B and 80B/180B*

# HUNTER DOUGLAS, A WORLD OF INNOVATION



Business is people. At Hunter Douglas, we pride ourselves in our employees - a network of experienced, intelligent, passionate and creative men and women from over 100 countries who work together in a spirit of collaboration. Along with proven manufacturing processes and material usage, that is what keeps Hunter Douglas at the forefront of innovation and design.





## OUR FOUNDING

Hunter Douglas was built on recycled aluminum. In 1940, company founder Henry Sonnenberg moved to America from Holland and founded the Douglas Machinery Corporation. A few years later, he began a critical collaboration with inventor Joe Hunter, who had invented a casting machine that could convert scrap aluminum into ultra-hard alloys.



## CEILING DEVELOPMENT

Based on this unique casting machine and developments of roll-forming and stamping equipment, Henry and Joe pioneered the development of the aluminum venetian blind, and jointly created Hunter Douglas as we know it today. In 1962, Hunter Douglas introduced linear metal ceilings, creating a standard system that today has evolved into a complete range of products for projects of all types.



## WORLDWIDE PRESENCE

Today, a significant part of Hunter Douglas' business remains dedicated to recycled aluminum, with a recycling facility, smelter, and continuous caster in Rotterdam, Holland. From that base, the company operates fabrication and distribution facilities in over 100 countries, with installations in thousands of projects around the world.



## SUSTAINABILITY

Hunter Douglas stands at the forefront of developing sustainable product concepts. We seek to simplify assembly, improve production processes, eliminate waste and reduce maintenance within our own operations, while also partnering with organizations such as C2C Products Innovation Institute, to make an impact on all phases of the building industry

# CONTENTS

## HEARTFELT® CEILINGS

HeartFelt® Linear	7
-------------------	---

## WOOD SOLUTIONS

<b>Solid Wood</b>	
Solid Wood Linear	24
Solid Wood Grill	28
<b>Veneered Wood</b>	
Veneered Wood Linear	32
Veneered Wood Grill	36
Veneered Wood Tiles & Panels	40
Veneered Wood Topline®	44
<b>Metal</b>	
Metal WoodPrint	48

## METAL CEILINGS

<b>Planks</b>	
Alpha (Bandraster)	60
Alpha SD1 (Torsion-Spring Swing-Down)	64
Alpha SD2 (Bandraster Swing-Down)	68
Alpha SD3 (Torsion-Spring Singular)	72
Beta A (Hook-On Singular)	76
Beta B (Hook-On Continuous)	80
Beta (Safety-Loop)	84
Beta (Isola)	88
Gamma (Lay-On Planks)	92
Delta B (Torsion-Spring Continuous)	96
Delta G (Geometries)	100
Delta S (Segmented)	104
<b>Tiles</b>	
Tiles (Lay-In / Lay-On)	108
Tiles (Clip-In)	112
<b>Stretch Metal</b>	
Tiles (Lay-In / Lay-On)	116
Alpha (Bandraster)	120
Beta A (Hook-On Singular Type 1)	124
Beta A (Hook-On Singular Type 2)	128
Beta B (Hook-On Continuous Type 1)	132
Beta B (Hook-On Continuous Type 2)	136
Gamma (Lay-On)	140
<b>QuadroClad® Acoustic</b>	
XL50	144
XL100	148
XLts (Torsion Spring)	152
XLnt (Swing Down)	156
<b>Wide Panel</b>	
300C/300L (General)	160
300C/300L (Lay-On)	164
300C/300L (Bandraster)	168
300C/300L (C-Grid)	172
<b>Baffles</b>	
Tavola™ (Straight)	176
Tavola™ (Levels)	180
Tavola™ (Divergent)	184
Sedes™ (Straight)	188
V100/V200 (Screens)	192

<b>Cell</b>	
40/50/50E	198
Tiles (T15)	202
Unigrid	206
Linagrid	210
<b>Linear</b>	
Multipanel	214
30BD/30BXD + CCA	218
80BXD/130BXD	222
84B/84R	226
75C/150C/225C	230
<b>Curved</b>	
300C	234
84R	238
Carrier	242

## EXTERIOR CEILINGS

<b>Wood Solutions</b>	
Solid Wood Grill and Linear	252
Veneered Wood Grill and Linear	256
Veneered Wood Tiles	260
<b>Metal</b>	
Multipanel	264
Linear Closed	268
150F/200F	272
V100	276
300C/300L	280
Beta Safety-Loop	284
Suspension System PROFIX™	288

## WALL SYSTEMS

HeartFelt® Linear	296
Solid Wood Grill and Linear	300
Veneered Wood Grill and Linear	304
Veneered Wood Tiles and Topline®	308

## SPORTS CEILINGS

<b>Wood Solutions</b>	
Solid Wood Linear	320
Veneered Wood Linear	324
<b>Metal</b>	
70U	328
Beta Safety-Loop	332
Gamma	336

## RESOURCES

BIM	348
Perforation Patterns	350
Acoustical Test Results	352
Sustainability	354







Down on the  
**LEFT**





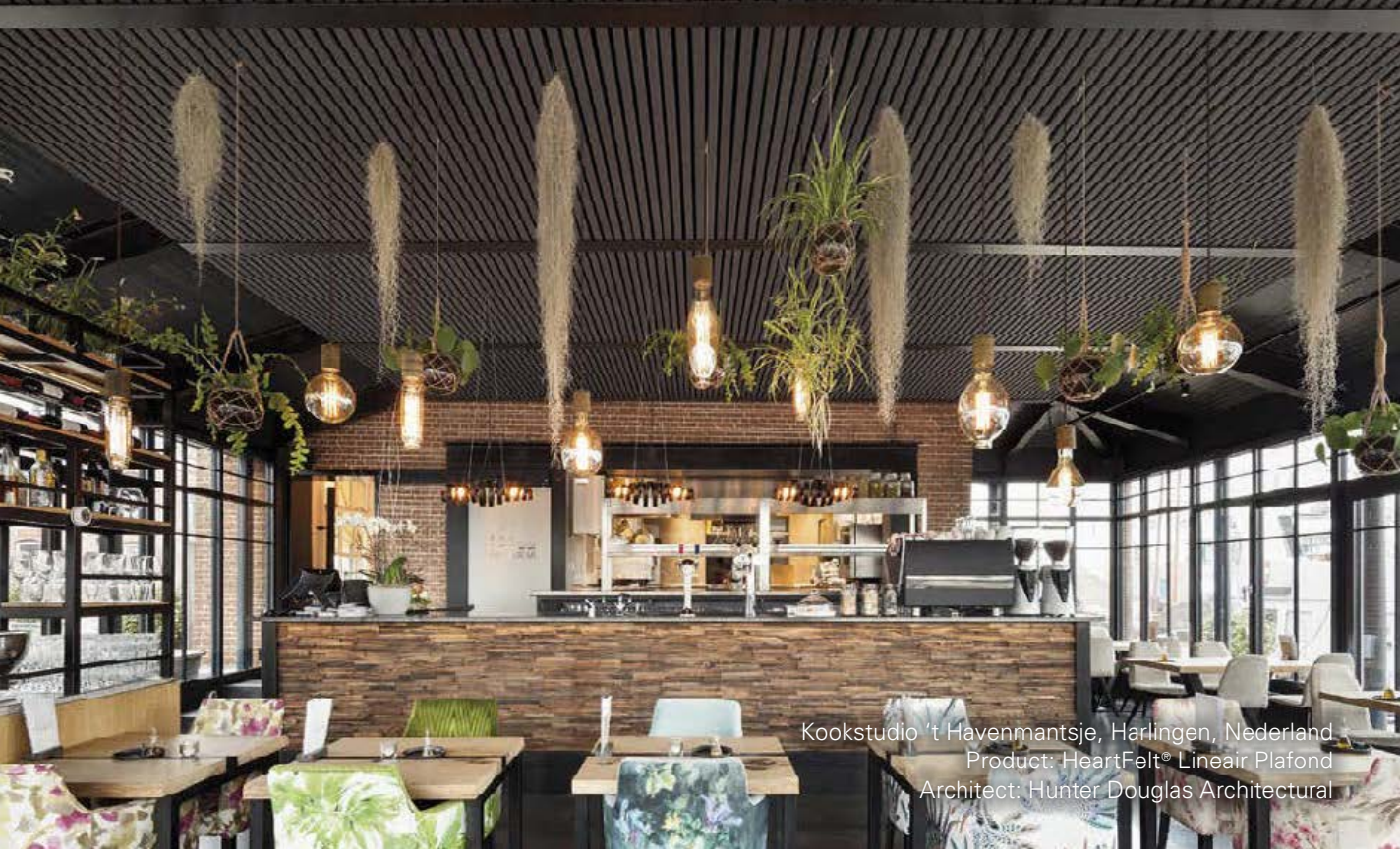
Project: Wrexham Money Penny Offices, Wrexham, UK  
Architect: AEW Architects  
Product: HeartFelt® Linear Ceilings





Project: Admix, Rotterdam, The Netherlands  
Architect: Hunter Douglas Architectural  
Product: HeartFelt® Linear Ceiling



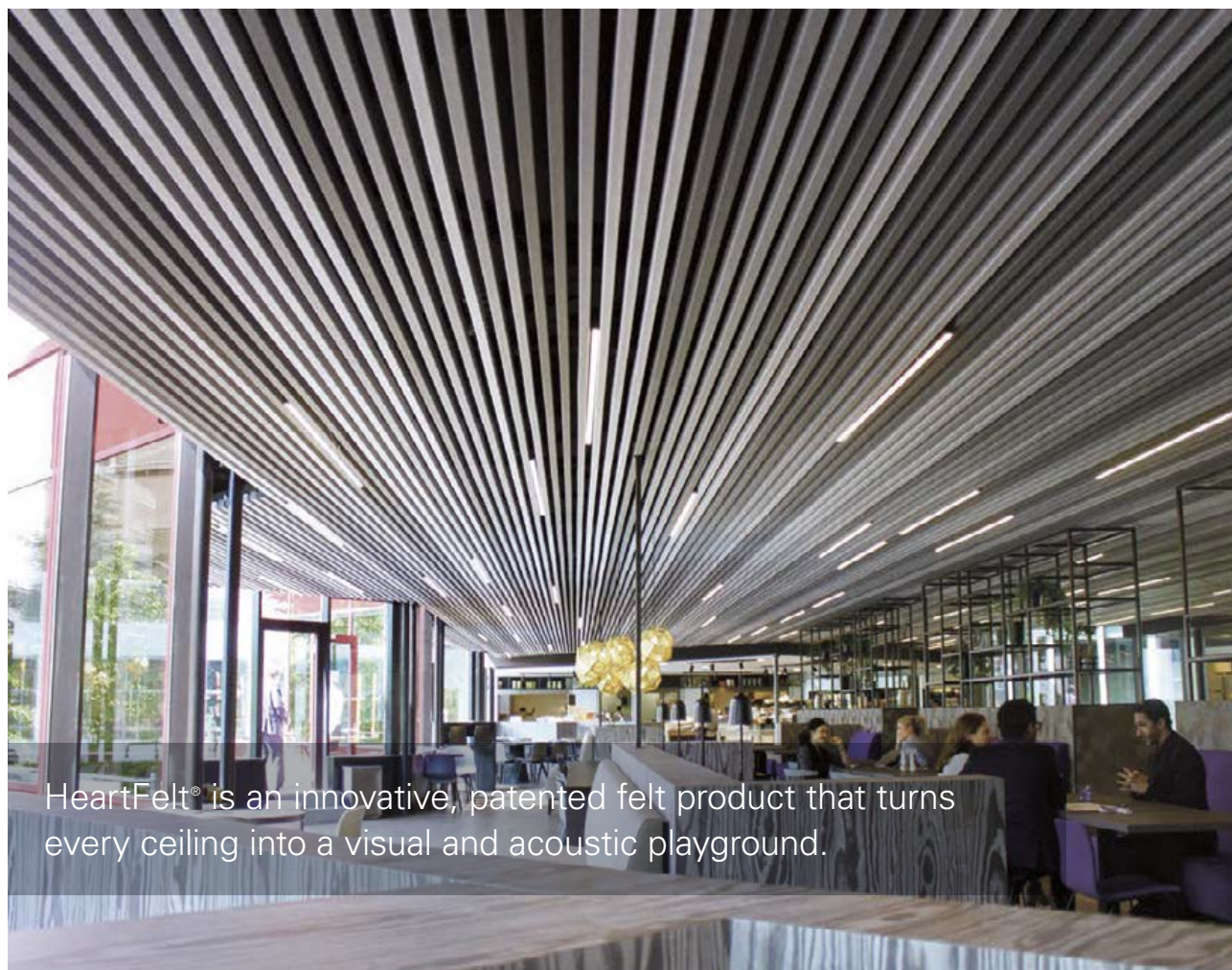


Kookstudio 't Havenmantsje, Harlingen, Nederland  
Product: HeartFelt® Lineair Plafond  
Architect: Hunter Douglas Architectural

# HEARTFELT® CEILINGS

HEARTFELT® LINEAR 12





HeartFelt® is an innovative, patented felt product that turns every ceiling into a visual and acoustic playground.

*Project: Amstelgebouw, Amsterdam, The Netherlands - Product: HeartFelt® -Linear - Architect: Ericis Adviseurs en Design*

## KEY FEATURES

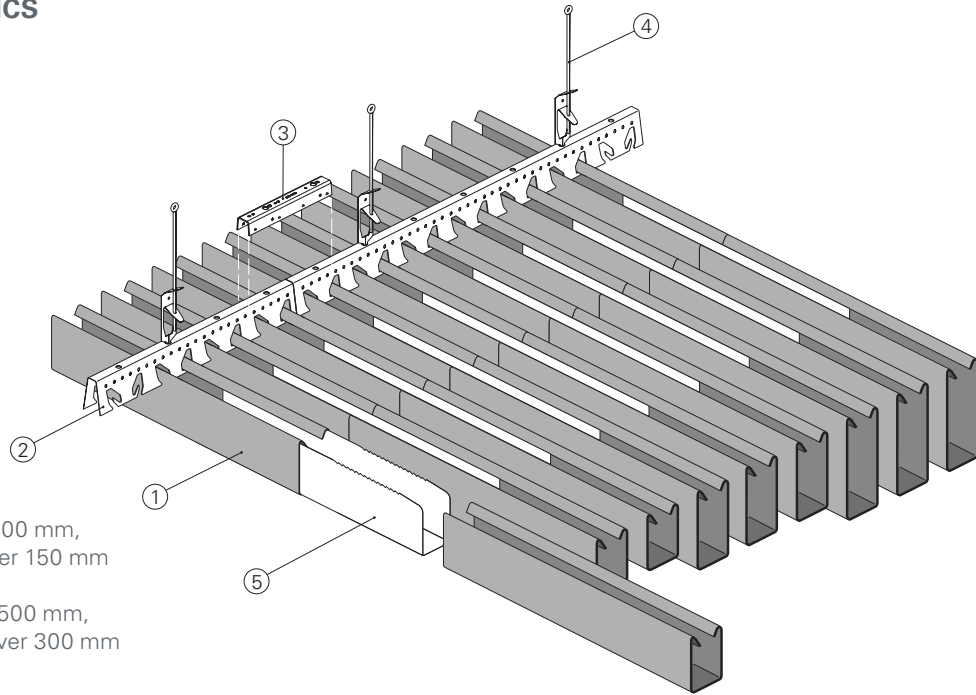
- Modular ceiling system with felt panels
- Panel dimensions 40 x 55 mm, 40 x 80 mm and 40 x 105 mm
- Panel length 1000 to 6000 mm
- Six standard carrier modules to vary reveal (M50-M100) for acoustics and aesthetics, larger modules up to M200 on request
- Easy plenum access
- Interior applications
- Compatible with industry standard lighting, HVAC, speaker, fire safety, and security services



reddot award 2017  
best of the best

## TYPICAL ISOMETRICS

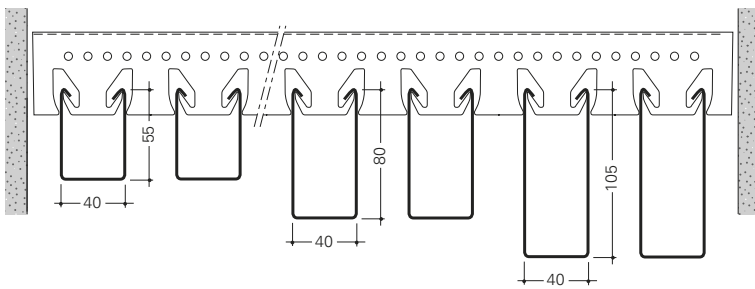
- 1 = Panel  
2 = Carrier  
3 = Carrier splice  
4 = Hanger  
5 = Panel Splice



Maximum panel span 1200 mm,  
maximum panel cantilever 150 mm

maximum carrier span 1500 mm,  
maximum carrier cantilever 300 mm

## TYPICAL SECTIONS



## PHYSICAL DATA

**Substrate:** Non-woven thermo-formable PES fibres  
**Fire rating:** Class B,s1,d0 according EN 13501-1  
**Weight:** 4.6 kg/m<sup>2</sup> (M50) - 3.5 kg/m<sup>2</sup> (M100)  
**Light reflectance:** Varies with colour selected  
**Exposure Class:** A and B according EN 13964



## LEED V4 CREDITS

MR : Building Product Disclosure  
EQ : Low-Emitting Materials  
EQ : Indoor Air Quality Assessment  
EQ : Acoustic Performance

## CERTIFICATIONS

Indoor Air Comfort Gold  
French VOC Regulation Class A+  
Cradle-to-Cradle Bronze  
Oekotex Standard 100 Class IV  
SundaHus Miljödata Class A  
GreenGuard Gold

## COLOURS

Colors are for illustration purposes only.

### SHADES OF GREY



White  
7593



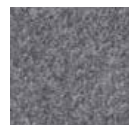
Off-White  
7595



Light Grey  
7596



Middle Grey  
7597



Dark Grey  
7598



Anthracite  
7599

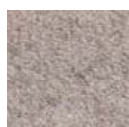


Black  
7594

### EARTH TONES



Creme  
7575



Light Brown  
7576



Medium Brown  
7577



Dark Brown  
7578



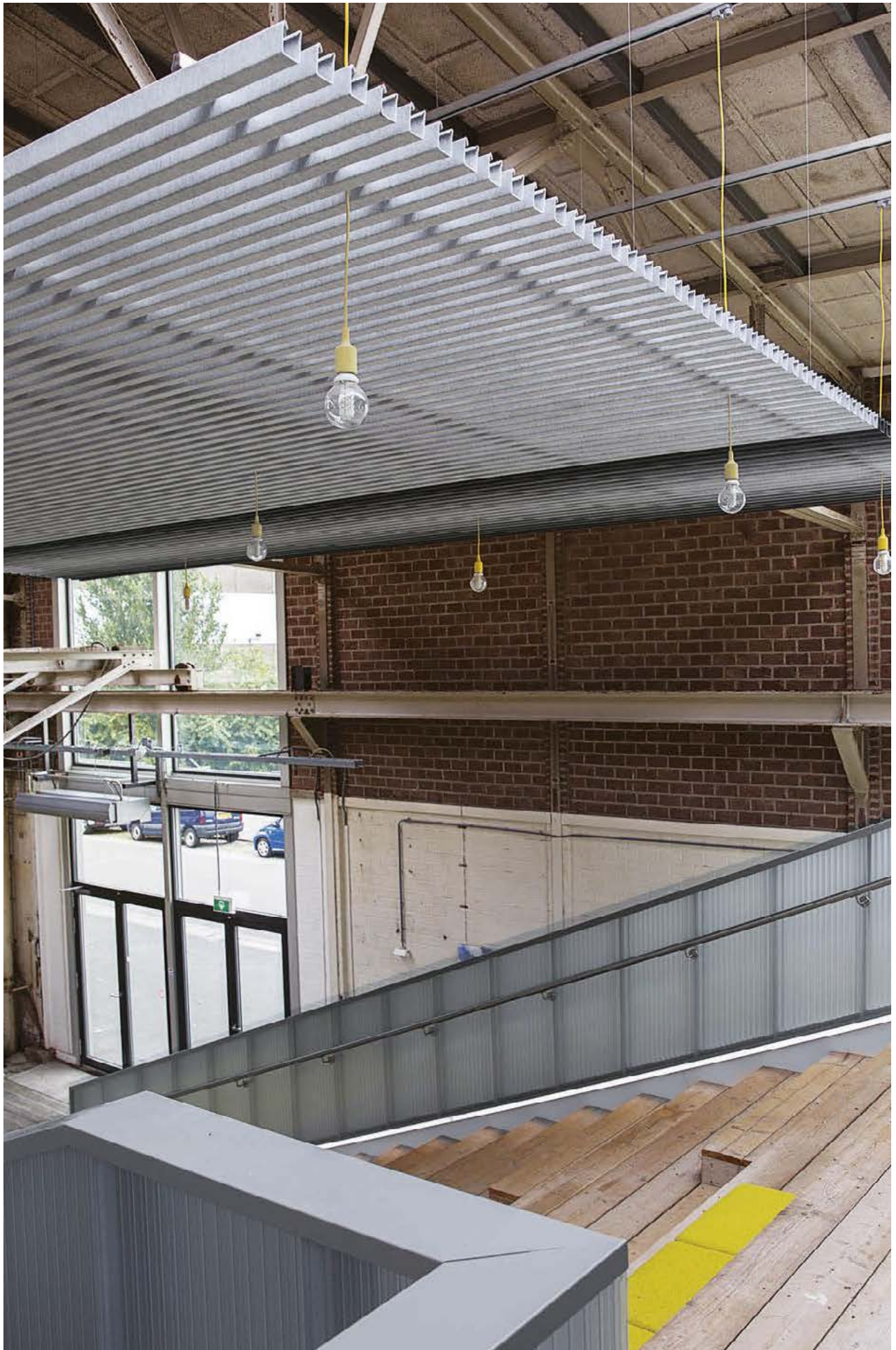
Umber  
7579

## ACOUSTICAL RATINGS - $\alpha_w$

Module (mm)	Joints (mm)	Openness %	$\alpha_w$
M50	10	20%	0.70 (H)
M60	20	33%	0.65 (H)
M70	30	43%	0.60 (H)
M70*	30	43%	1.00 (H)
M80	40	50%	0.50 (H)
M90	50	55%	0.45 (H)
M100	60	60%	0.45 (H)

\*Ceiling panels covered with mineral wool tiles or PES acoustical tiles.





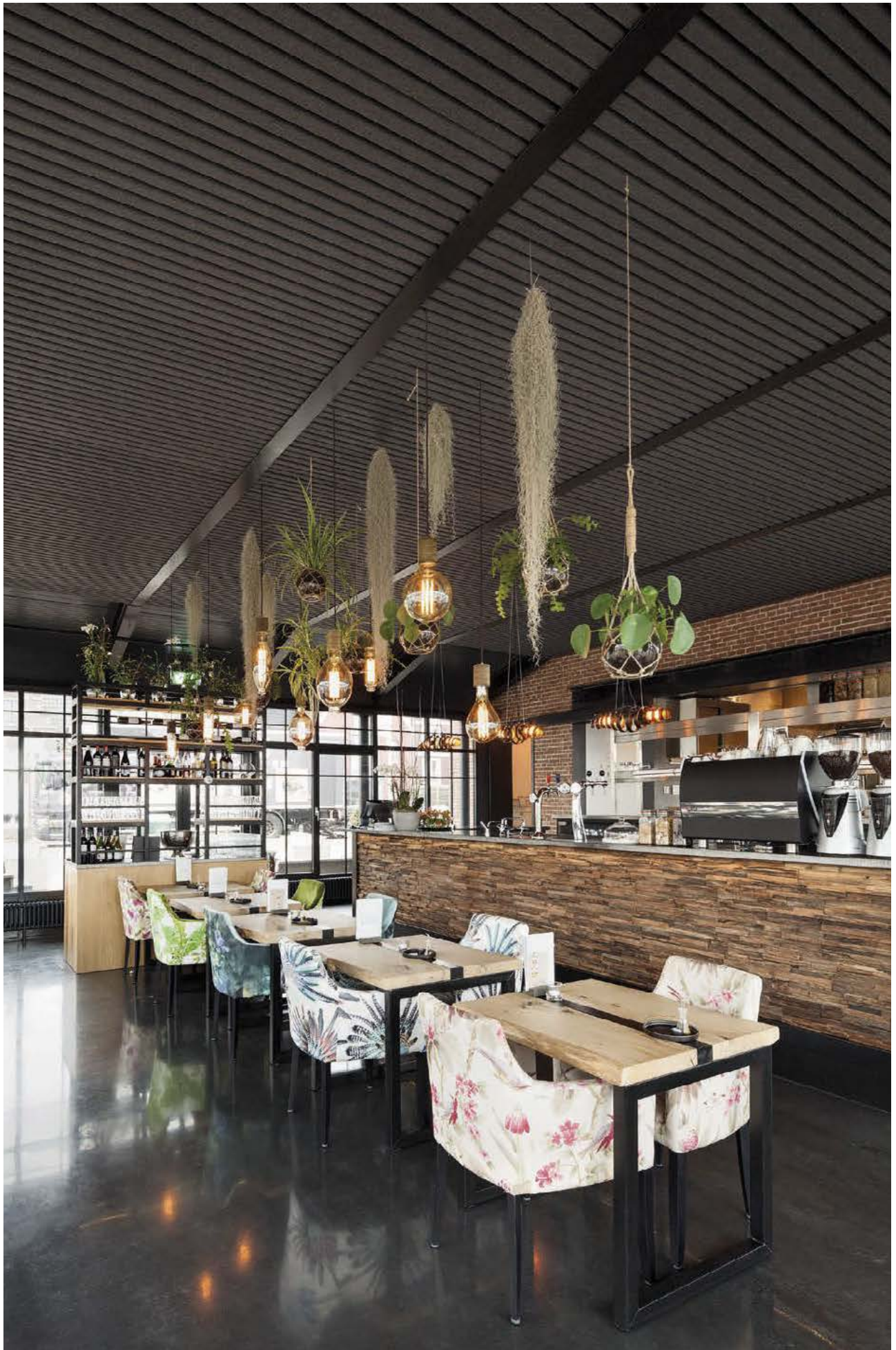
Project: Corporate Office, The Netherlands - Product: HeartFelt® Linear - Architect: Hunter Douglas Architectural





Project: Office SHL, Aarhus Denmark - Product: HeartFelt® Linear - Architect: Schmidt Hammer Lassen architects





Project: Kookstudio 't Havenmantsje, Harlingen, The Netherlands - Product: HeartFelt® Linear

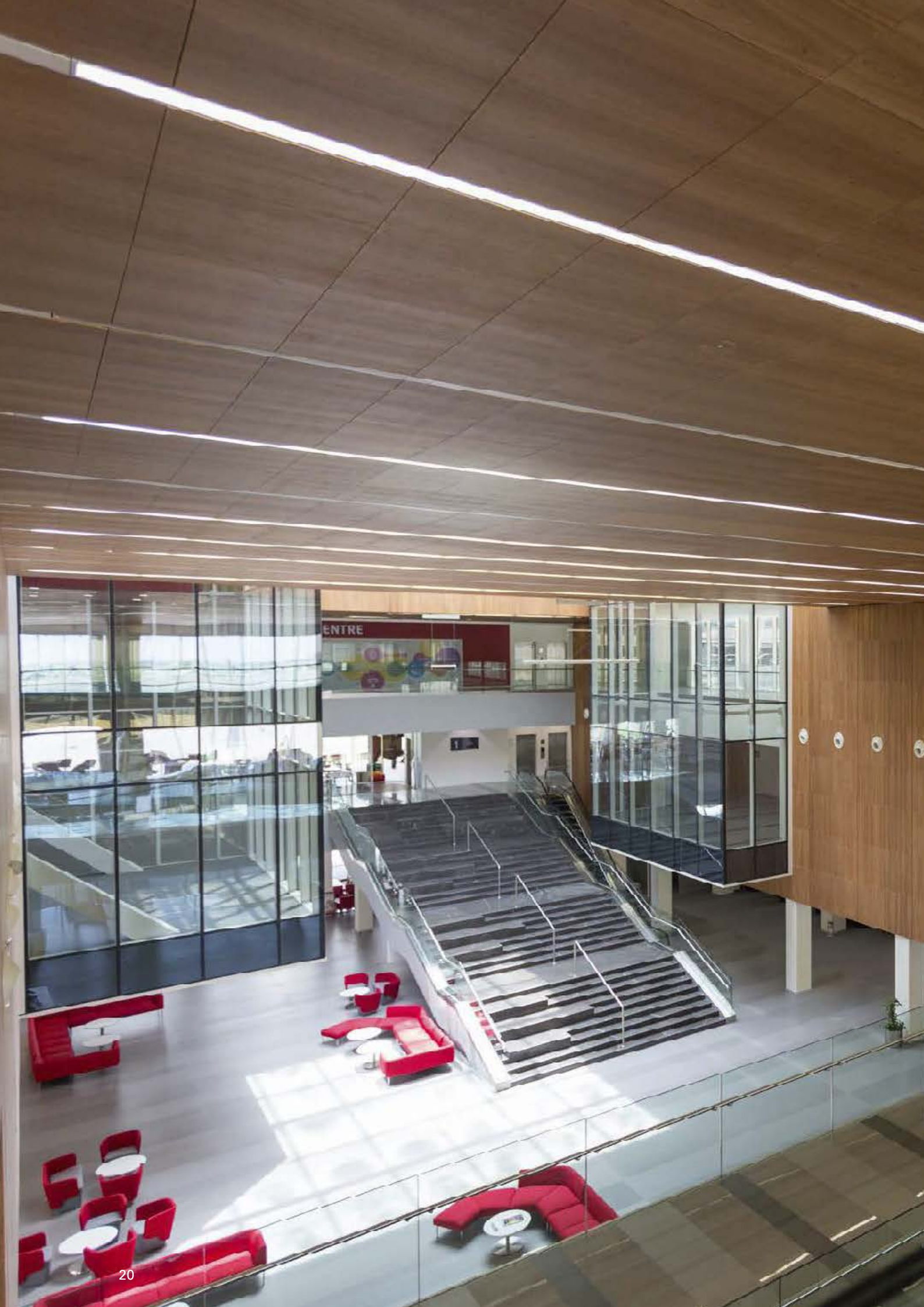




Project: Life Science Incubator, Utrecht, The Netherlands  
Architect: GiesbersWijchen & Mecanoo  
Product: Solid Wood Grill with CNC grill elements







CENTRE





Project: Amity University, Dubai, United Arab Emirates  
Architect: IR Design  
Product: Veneered Wood Ceiling and Wall tiles, Cherry





Project: Museum Grimmwelt, Kassel, Germany  
Architect: Kada Wittfeld Architekten  
Product: Solid Wood Linear, American White Oak





Project: Cluj Arena, Cluj-Napoca, Romania

Architect: Dico si Tiganaș

Product: Veneered Wood Ceiling and Wall Tiles & Linear

# WOOD SOLUTIONS

SOLID WOOD LINEAR 24

SOLID WOOD GRILL 28

VENEERED WOOD LINEAR 32

VENEERED WOOD GRILL 36

VENEERED WOOD TILES & PANELS 40

VENEERED WOOD TOPLINE® 44

METAL WOODPRINT 48





The Solid Wood Linear panels offer a real wood, acoustic solution for any project.

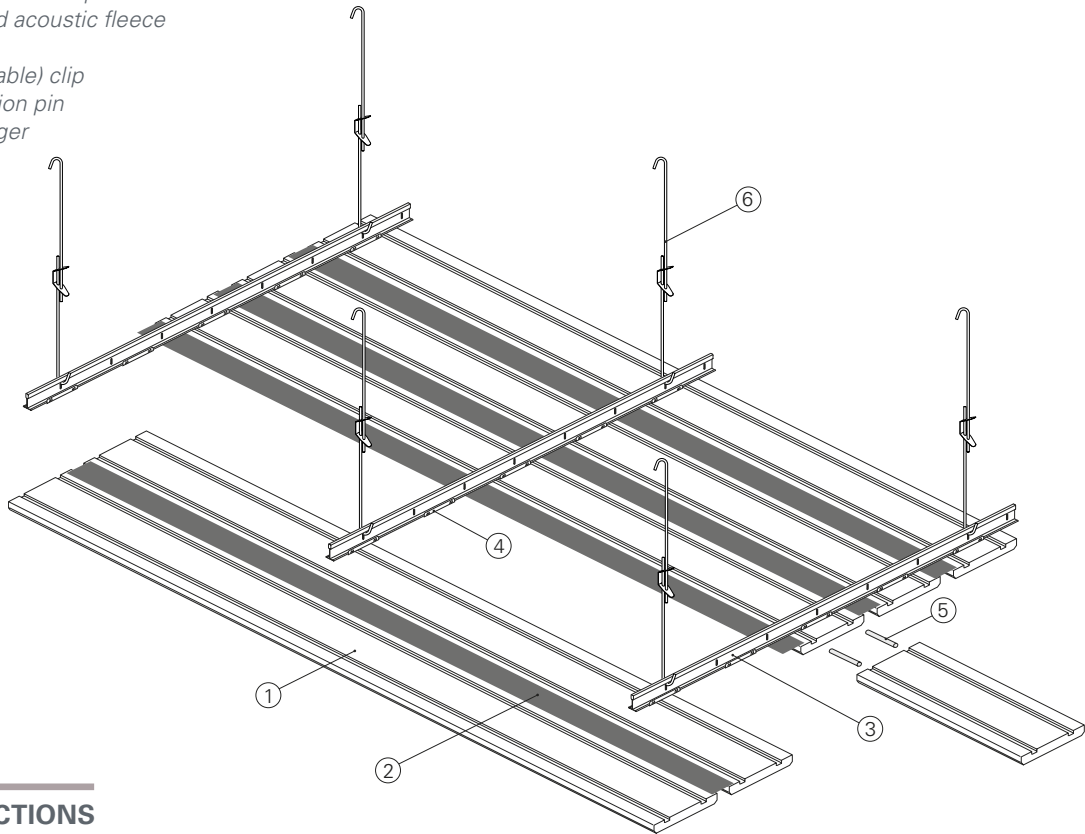
*Project: Student Pavillion Erasmus University, Rotterdam, The Netherlands - Product: Solid Wood Linear, American Red Oak  
Architect: Powerhouse Company & de Zwarte Hond;*

## KEY FEATURES

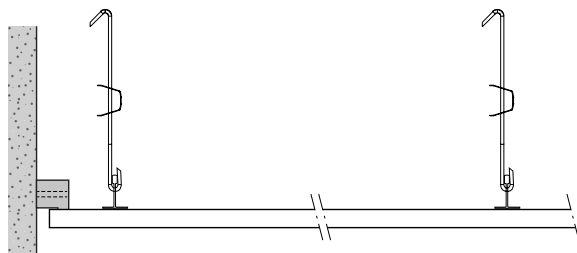
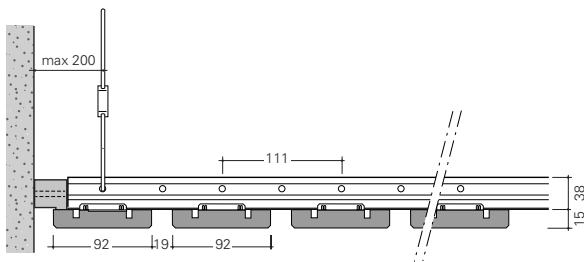
- Interior applications
- Panel width: 63 – 68 – 70 – 82.6 – 92– 110 - 116 mm
- Lengths up to 2500 mm
- Panel thickness: 15 mm
- Joint width: 12 - 13 - 15 - 19 mm
- Multi-panel layouts possible, combining different widths
- Other sizes are available upon request
- Variety of 20+ wood species, FSC or PEFC certified
- Clear and coloured stains available
- Also available as wall solution (see page 300) or exterior application (see page 252)
- Curved and undulating shapes possible
- Compatible with industry standard lighting, HVAC, speaker, fire safety and security services

## TYPICAL ISOMETRICS

- 1 = Solid Wood Linear panel
- 2 = Pre-applied acoustic fleece
- 3 = Carrier
- 4 = (Demountable) clip
- 5 = Panel fixation pin
- 6 = Quick hanger



## TYPICAL SECTIONS



## PHYSICAL DATA

**Fire rating:** B,s2,d0 (according to 13501-1), depending on wood specie and treatment  
**Acoustic ratings:**  $\alpha_w$  0.30 - 0.50 (according to ISO 11654), see page 353  
**Weight:** 5.0 - 8.0 kg per m<sup>2</sup>  
**VOC Emission:** Class A+ (according to ISO 16000-9)

## LEED V4 CREDITS

EA : Optimise Energy Performance  
 EQ : Low-Emitting Materials  
 EQ : Indoor Air Quality Management  
 EQ : Acoustic Performance

## CERTIFICATIONS

GREENGUARD Gold  
 Cradle-to-cradle (C2C) Silver  
 FSC  
 PEFC



**COLOURS AND FINISHES**

Hunter Douglas offers a wide choice of colours, wood species and finishes. Coloured stains can be added to match custom colours. See website for the most up to date information. The wood images are for illustration purposes only.

**WOOD SPECIES**



Accoya



American White Oak



Siberian Larch



African Ayous



Yellow Poplar



American Ash



European Oak



American Red Oak



European Pine



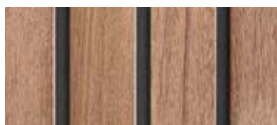
Cherry



Oregon Pine



Cambara



Merbau



Mahogany



Western Red Cedar



American Walnut

**BAMBOO**



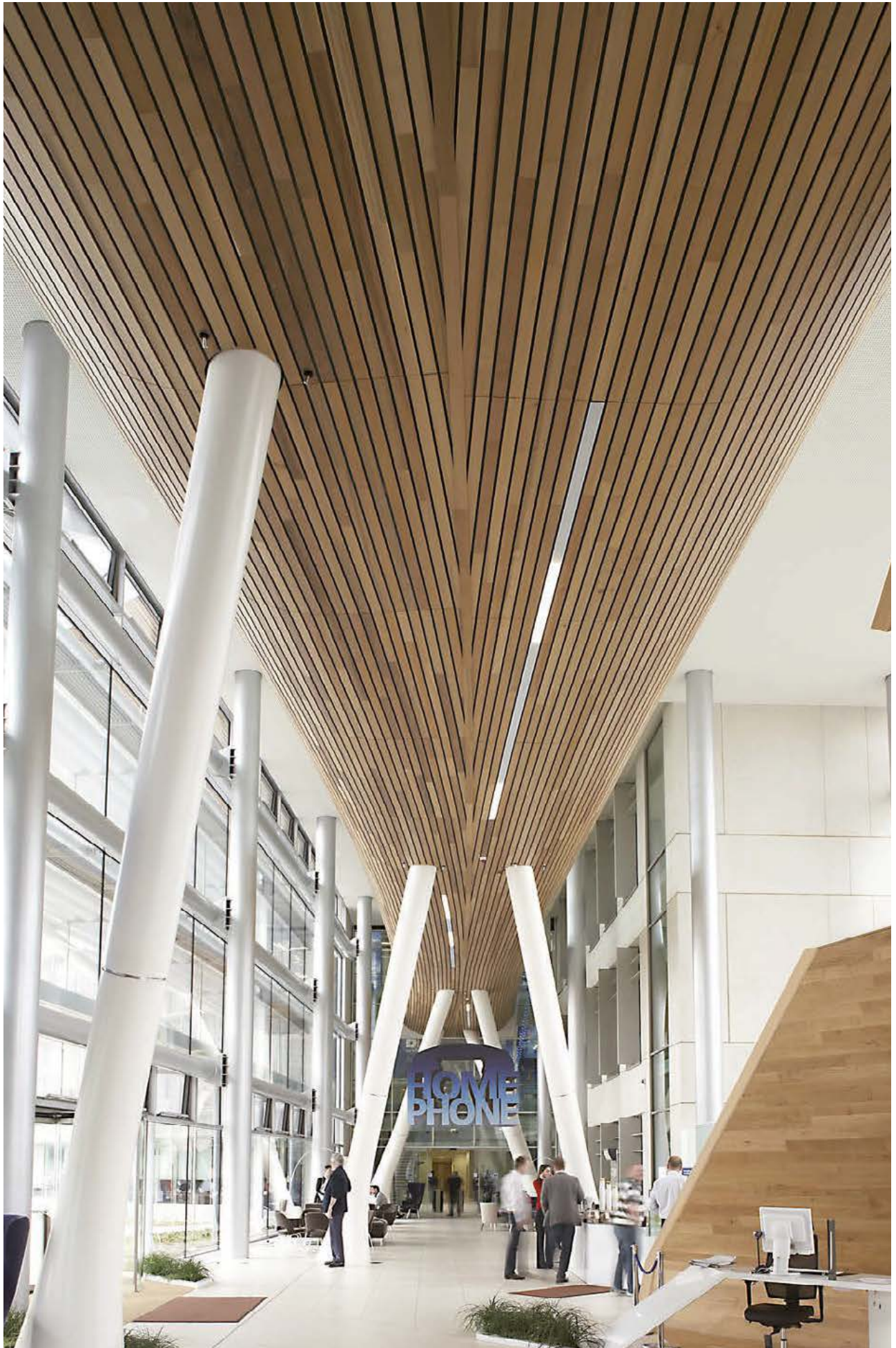
Bamboo SP Natural



Bamboo SP Caramel

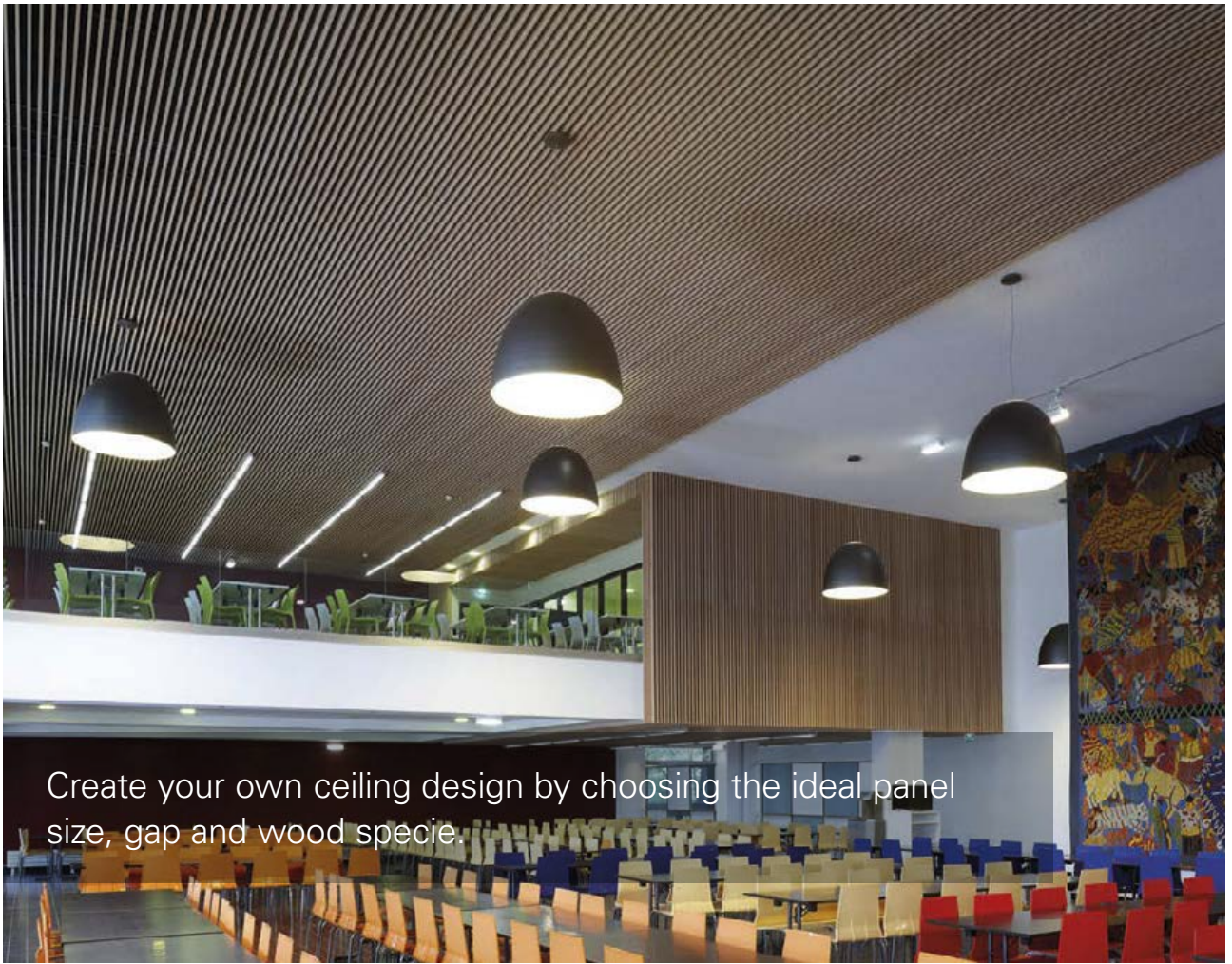


Bamboo DT Caramel



Project: 02 Our Space, Slough, United Kingdom - Product: Solid Wood Linear, Western Red Cedar & European Oak - Architect: Bennet Architects





Create your own ceiling design by choosing the ideal panel size, gap and wood specie.

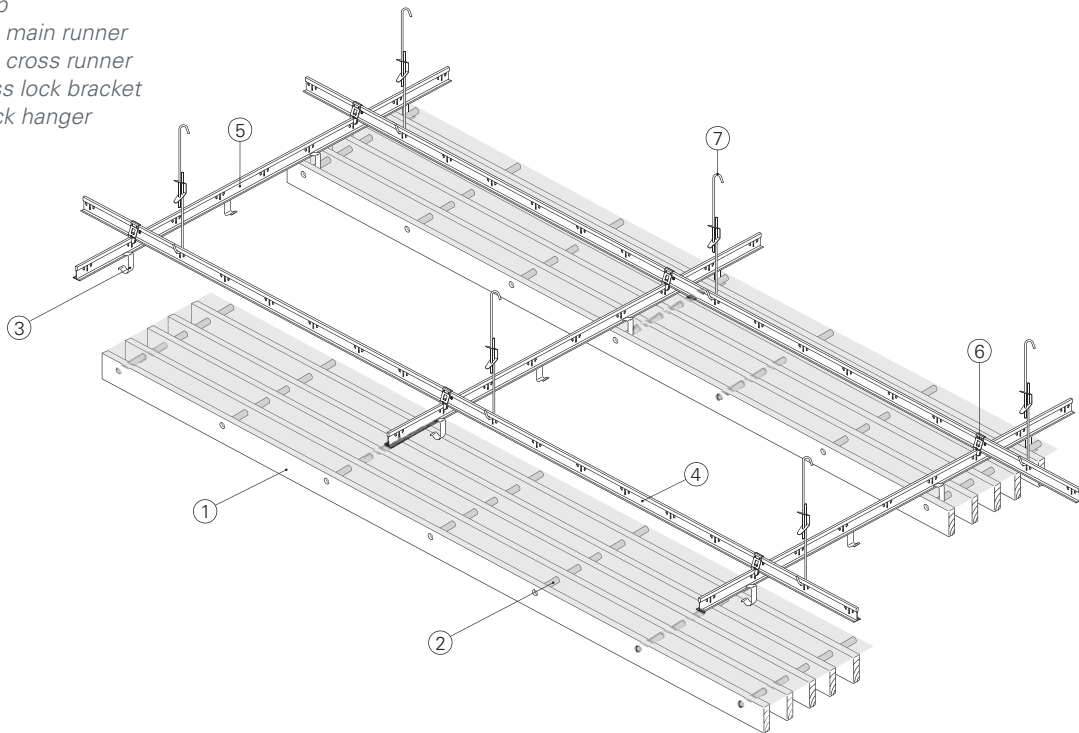
*Project: Crous Centrale, Lyon, France - Product: Solid Wood Grill - Architect: Sylvain ROUBAUD*

## KEY FEATURES

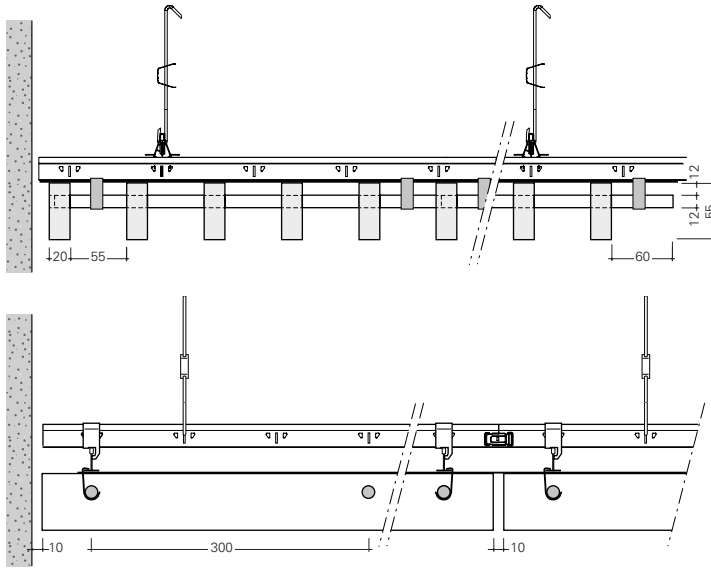
- Interior applications
- Panel width: 20 mm
- Lengths up to 2500 mm
- Panel height: 35 - 120 mm
- Joint width: 25 - 150 mm
- Pre-assembled elements of +/- 350 x 3000 mm
- Other sizes and dimensions are available upon request
- Variety of 20+ wood species, FSC or PEFC certified
- Optionally supplied with acoustic fleece
- Clear and coloured stains available
- Also available as wall solution (see page 300) or exterior application (see page 252)
- Curved and undulating shapes possible
- Compatible with industry standard lighting, HVAC, speaker, fire safety and security services

## TYPICAL ISOMETRICS

- 1 = Solid Wood Grill panel
- 2 = Metal dowel
- 3 = J clip
- 4 = T 24 main runner
- 5 = T 24 cross runner
- 6 = Cross lock bracket
- 7 = Quick hanger



## TYPICAL SECTIONS



## PHYSICAL DATA

Fire rating: B,s2,d0 (according to 13501-1),  
depending on wood specie and treatment  
Acoustic ratings:  $\alpha_w$  0.30 - 0.50  
(according to ISO 11654), see page 353  
Weight: 6.0 - 12.0 kg per m<sup>2</sup>  
VOC Emission: Class A+ (according to ISO 16000-9)

## LEED V4 CREDITS

EA : Optimise Energy Performance  
EQ : Low-Emitting Materials  
EQ : Indoor Air Quality Management  
EQ : Acoustic Performance

## CERTIFICATIONS

GREENGUARD Gold  
Cradle-to-cradle (C2C) Silver  
FSC  
PEFC



**COLOURS AND FINISHES**

Hunter Douglas offers a wide choice of colours, wood species and finishes. Coloured stains can be added to match custom colours. See website for the most up to date information. The wood images are for illustration purposes only.

**WOOD SPECIES**

Accoya



American White Oak



Siberian Larch



African Ayous



Yellow Poplar



American Ash



European Oak



American Red Oak



European Pine



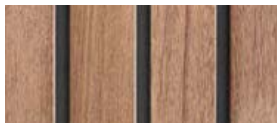
Cherry



Oregon Pine



Cambara



Merbau



Mahogany



Western Red Cedar



American Walnut

**BAMBOO**

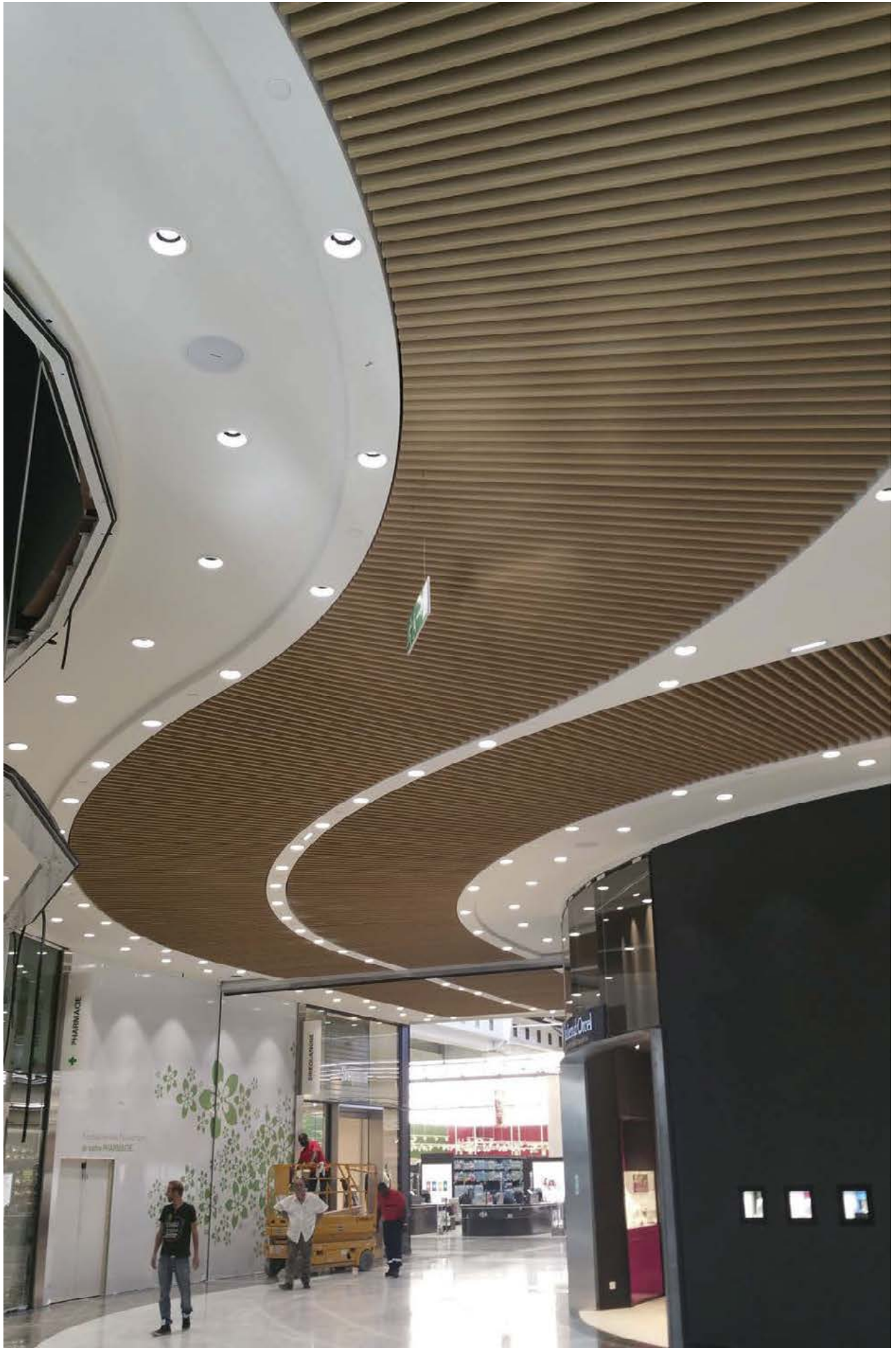
Bamboo SP Natural



Bamboo SP Caramel

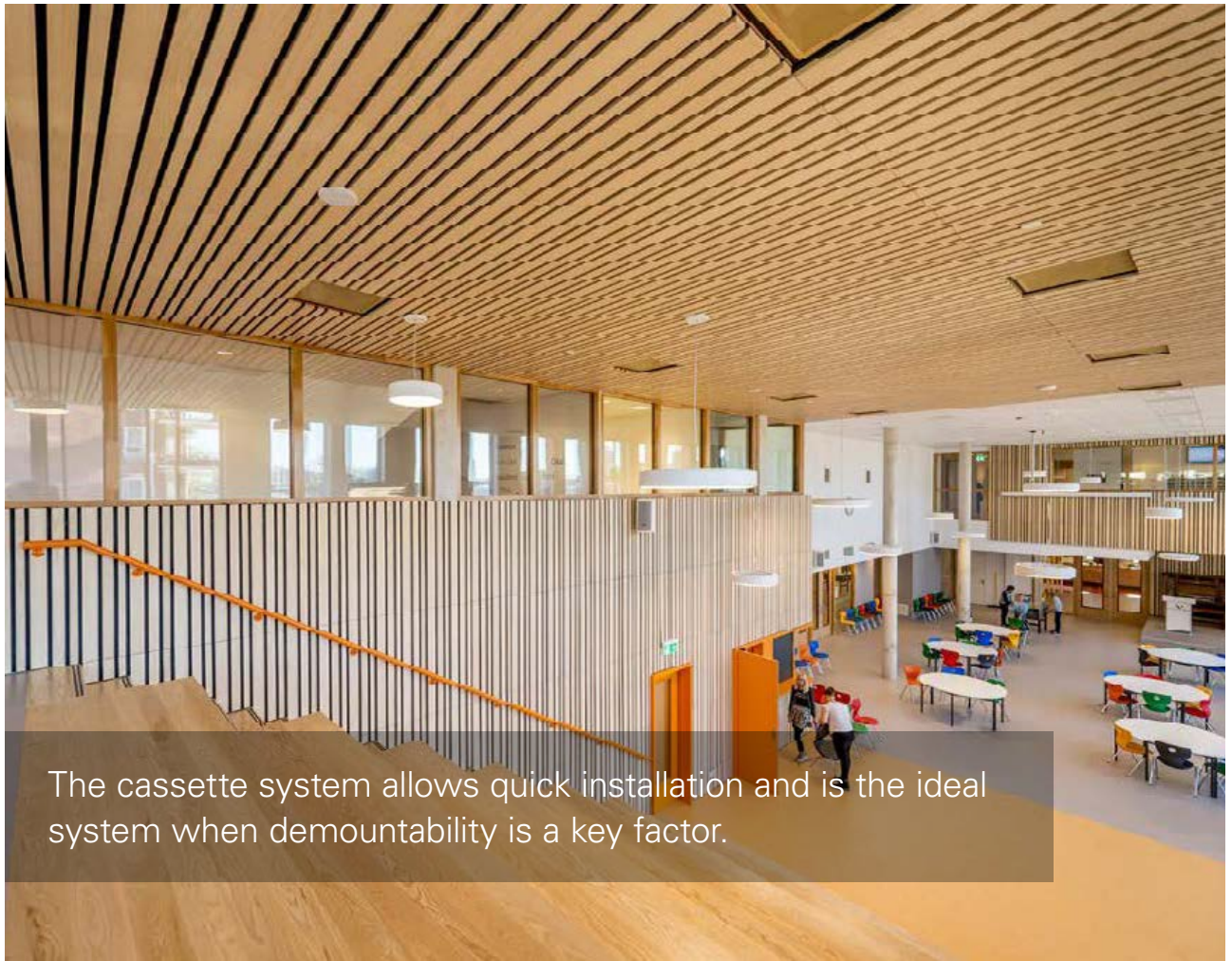


Bamboo DT Caramel



Project: C.C. Plaza Genipa, Martinique, France - Product: Solid Wood Grill, African Ayous - Architect: Architectes CVZ





The cassette system allows quick installation and is the ideal system when demountability is a key factor.

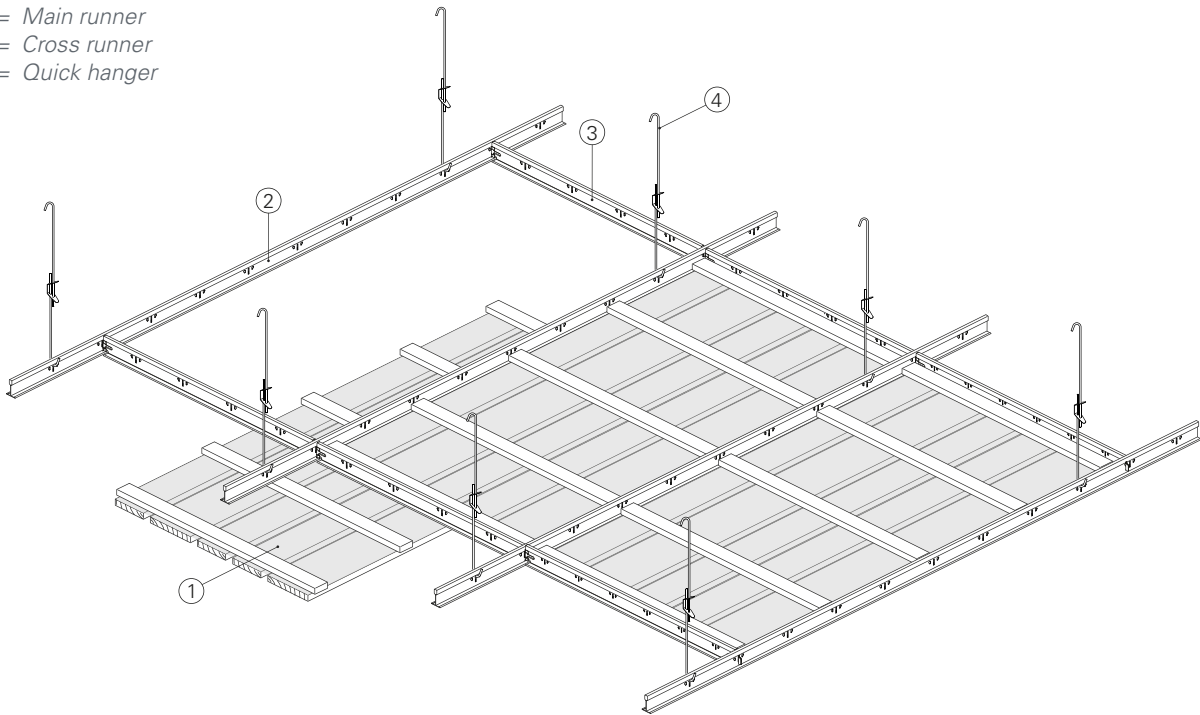
*Project: Driestar, Leiden, The Netherlands - Product: Veneered Wood Linear Cassettes, Ash veneer - Architect: Roosros Architecten*

## KEY FEATURES

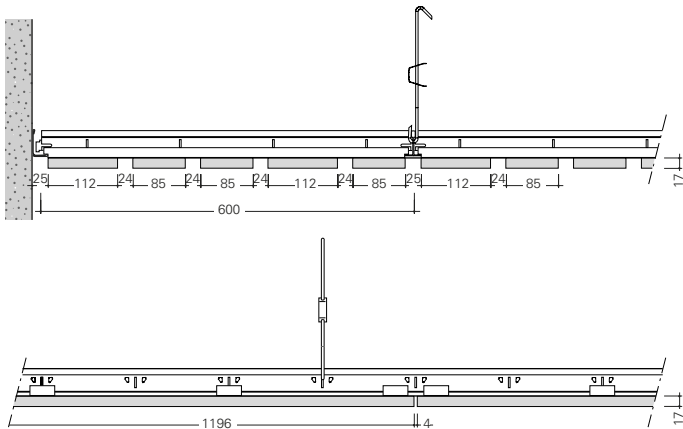
- Interior applications
- MDF core with a wooden top layer
- Cassette sizes 600 x 600 mm to 1200 x 1200 mm
- Panel width: 90 - 120 - 150 - 200 - 230 mm
- Panel thickness: 17 or 20 mm
- Joint width: 5 - 10 - 15 - 20 - 30 mm
- Multi-panel layouts possible, combining different widths
- Other sizes and dimensions are available upon request
- Variety of organic or engineered wood veneers, FSC or PEFC certified
- Optionally supplied with acoustic fleece
- Available as cassettes or as individual linear panels
- Clear and coloured stains available
- Also available as wall solution (see page 304) or exterior application (see page 256)
- Curved and undulating shapes possible
- Compatible with industry standard lighting, HVAC, speaker, fire safety and security services

**TYPICAL ISOMETRICS**

- 1 = Linear Cassette Element
- 2 = Main runner
- 3 = Cross runner
- 4 = Quick hanger



**TYPICAL SECTIONS**



**PHYSICAL DATA**

Acoustic rating: up to  $\alpha_w$  0.50  
 Weight: 10.0 - 15.0 kg/m<sup>2</sup>

**LEED V4 CREDITS**

- EA : Optimise Energy Performance
- EQ : Low-Emitting Materials
- EQ : Indoor Air Quality Management
- EQ : Acoustic Performance

**CERTIFICATIONS**

- FSC
- PEFC



**COLOURS AND FINISHES**

Hunter Douglas offers a wide choice of wood species and finishes. Coloured stains can be applied to match custom colours or existing building elements. See our website for the most up to date information. The images are for illustration purposes only.

**ORGANIC VENEERS**

Organic veneer is a natural material sliced from tree logs without alterations or enhancements. This veneer types shows all the characteristics and intrinsic patterns of the tree, caused by the natural influences during his lifetime, making each veneer unique.



American Maple    American Red Oak    American Walnut    American/European Oak    European Ash    European Birch    Pine    Steamed Beech

**ORGANIC DYED VENEERS**

Organic dyed veneer is a completely natural veneer, dyed to create a unique, uniform colour.



Ash BF 001    Ash BF 002    Ash BF 049    Ash BF050    Birch BG 046    Birds Eye Maple E 069    Bolivar EB 064    Walnut EA193

**ENGINEERED VENEERS**

Engineered veneer is a natural material, processed to create a specific predesigned appearance. The veneer patterns create a more consistent and uniform appearance.



Oak    Wenge    Birch    Rosewood    Teak    Walnut    Cherry    Zingana

**SPECIALS**

A high variety of special veneers and top layers are available.

**Banana trunk veneers**



Grenada    Porto Rico    Martinique    St Barth    Aruba    Barbados    Anguilla    Dominica

**Engineered special veneers**



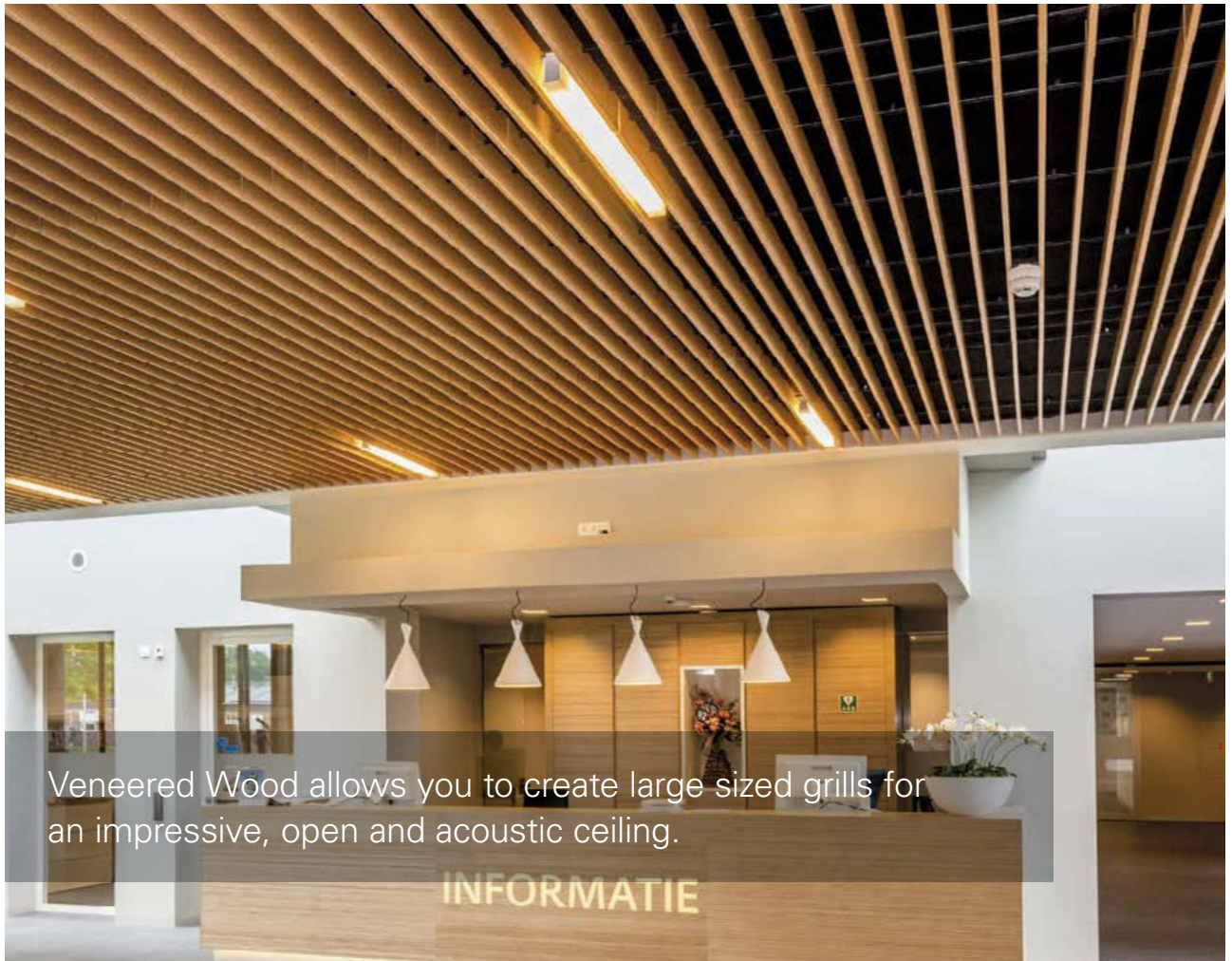
Arrow    Brown Devil    Deco M02    Deco M06    Burl    Cherry EVH    Vega    Mark

- Other finishes such as HPL, melamine or handsprayed RAL colours are available upon request. Please refer to our website for the latest product range.



Project: KPMG Head Office, Amsterdam, The Netherlands - Product: Veneered Wood Linear, Bamboo khaki - Architect: Marcel van der Schalk





Veneered Wood allows you to create large sized grills for an impressive, open and acoustic ceiling.

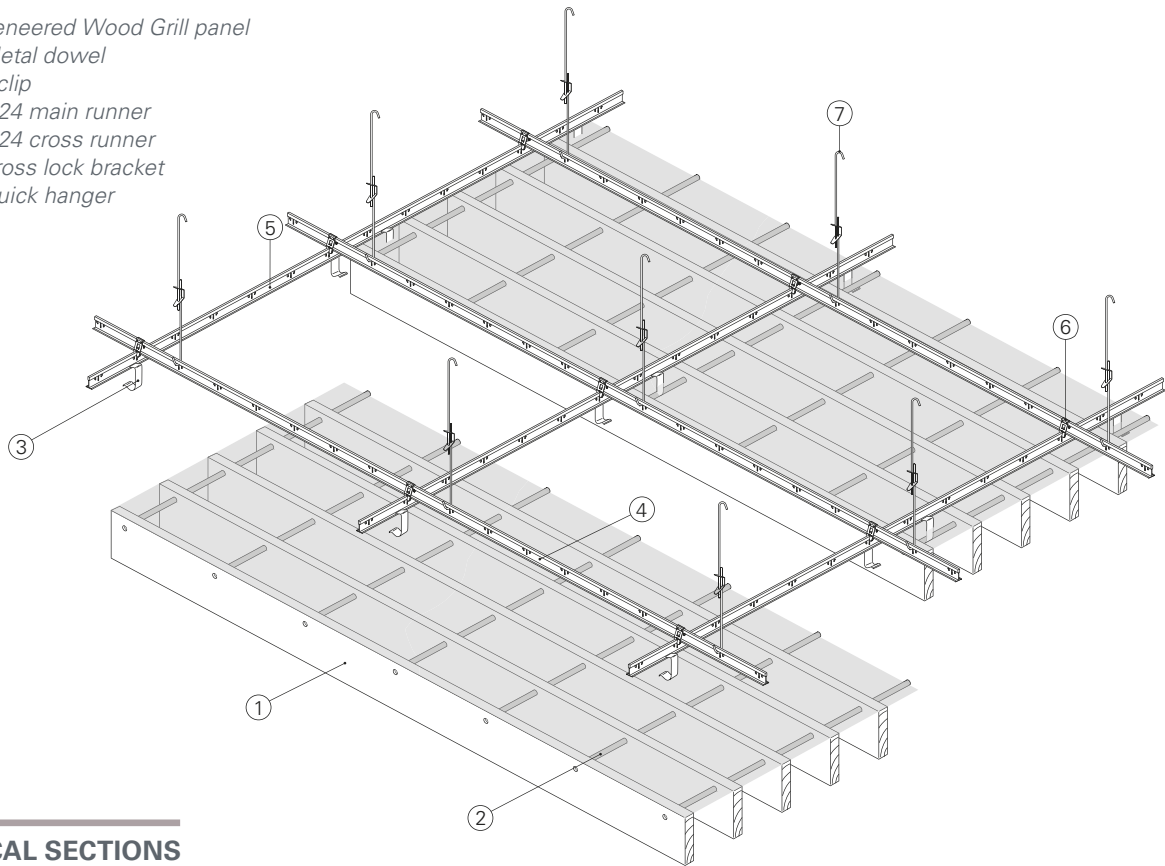
*Project: City Hall, Didam, The Netherlands - Product: Veneered Wood Grill, Ash - Architect: De Twee Snoeken*

## KEY FEATURES

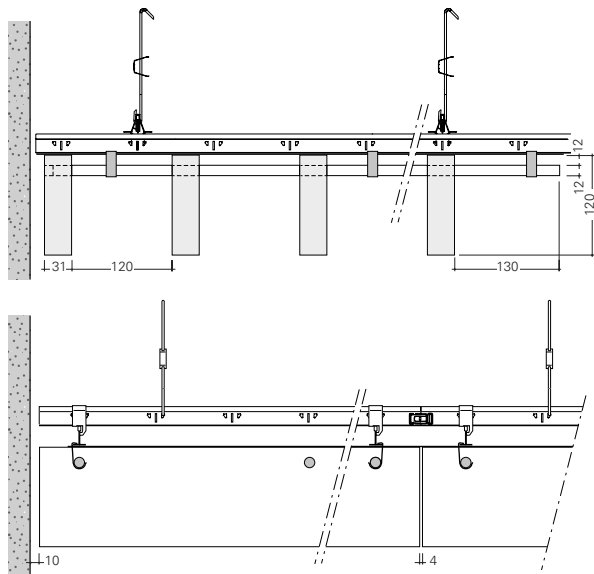
- Interior applications
- Panel width: 17 - 20 - 26 - 31 mm
- Panel height: 65 - 150 mm
- Joint width: 50 - 150 mm
- Pre-assembled elements of +/- 300 x 2700 mm or cassettes in 600/1200 x 600 mm
- Other sizes are available upon request
- Variety of organic or engineered wood veneers, FSC or PEFC certified
- Available as grill elements or cassettes
- Clear and coloured stains available
- Also available as wall solution (see page 304) or exterior application (see page 256)
- Curved and undulating shapes possible
- Compatible with industry standard lighting, HVAC, speaker, fire safety and security services

**TYPICAL ISOMETRICS**

- 1 = Veneered Wood Grill panel
- 2 = Metal dowel
- 3 = J clip
- 4 = T 24 main runner
- 5 = T 24 cross runner
- 6 = Cross lock bracket
- 7 = Quick hanger



**TYPICAL SECTIONS**



**PHYSICAL DATA**

Acoustic rating: Up to  $\alpha_w$  0.85  
 Weight: 12.0 - 20.0 kg/m<sup>2</sup>

**LEED V4 CREDITS**

- EA : Optimise Energy Performance
- EQ : Low-Emitting Materials
- EQ : Indoor Air Quality Management
- EQ : Acoustic Performance

**CERTIFICATIONS**

- FSC
- PEFC



## COLOURS AND FINISHES

Hunter Douglas offers a wide choice of wood species and finishes. Coloured stains can be applied to match custom colours or existing building elements. See our website for the most up to date information. The images are for illustration purposes only.

### ORGANIC VENEERS

Organic veneer is a natural material sliced from tree logs without alterations or enhancements. This veneer types shows all the characteristics and intrinsic patterns of the tree, caused by the natural influences during his lifetime, making each veneer unique.



American Maple    American Red Oak    American Walnut    American/European Oak    European Ash    European Birch    Pine    Steamed Beech

### ORGANIC DYED VENEERS

Organic dyed veneer is a completely natural veneer, dyed to create a unique, uniform colour.



Ash BF 001    Ash BF 002    Ash BF 049    Ash BF050    Birch BG 046    Birds Eye Maple E 069    Bolivar EB 064    Walnut EA193

### ENGINEERED VENEERS

Engineered veneer is a natural material, processed to create a specific predesigned appearance. The veneer patterns create a more consistent and uniform appearance.



Oak    Wenge    Birch    Rosewood    Teak    Walnut    Cherry    Zingana

### SPECIALS

A high variety of special veneers and top layers are available.

#### Banana trunk veneers



Grenada    Porto Rico    Martinique    St Barth    Aruba    Barbados    Anguilla    Dominica

#### Engineered special veneers



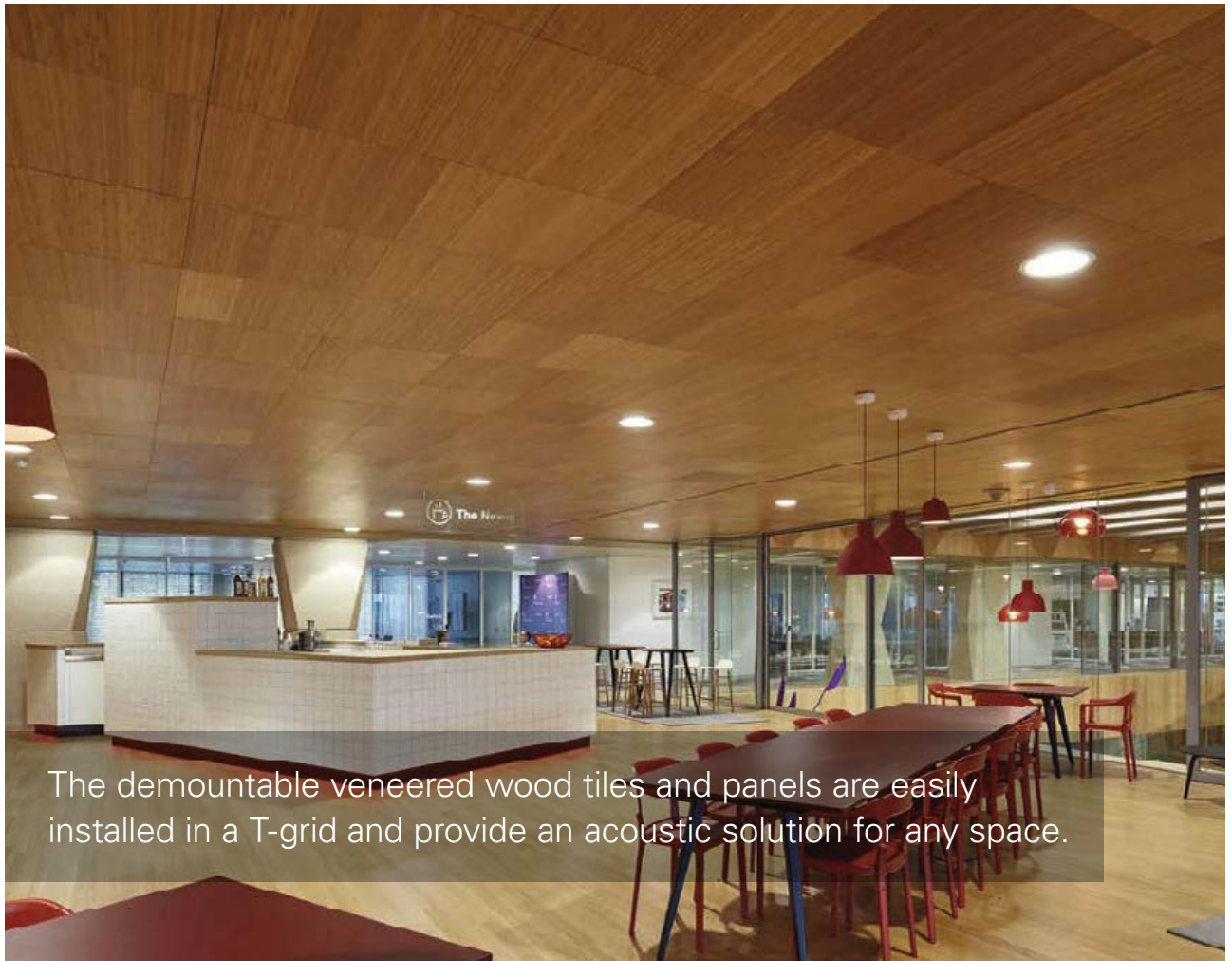
Arrow    Brown Devil    Deco M02    Deco M06    Burl    Cherry EVH    Vega    Mark

- Other finishes such as HPL, melamine or handsprayed RAL colours are available upon request. Please refer to our website for the latest product range.



Project: City Hall, Didam, The Netherlands - Product: Veneered Wood Grill, Ash - Architect: De Twee Snoeken





The demountable veneered wood tiles and panels are easily installed in a T-grid and provide an acoustic solution for any space.

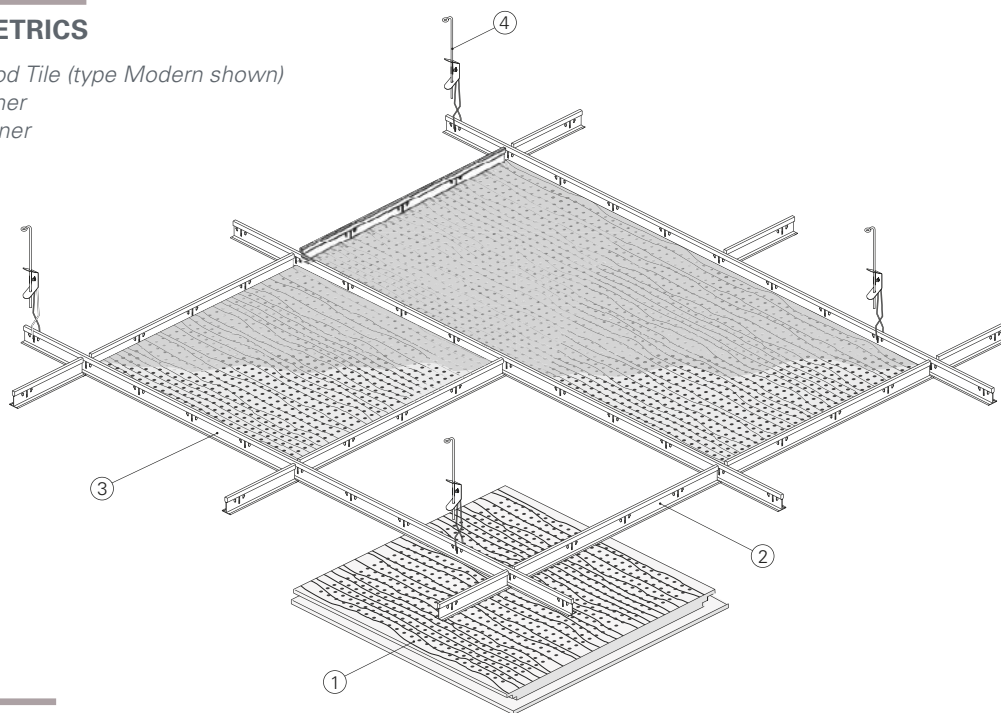
*Project: Smart Campus, Heerlen, Netherlands - Product: Veneered Wood Panels - Architect: Van Eijk and van der Lubbe*

## KEY FEATURES

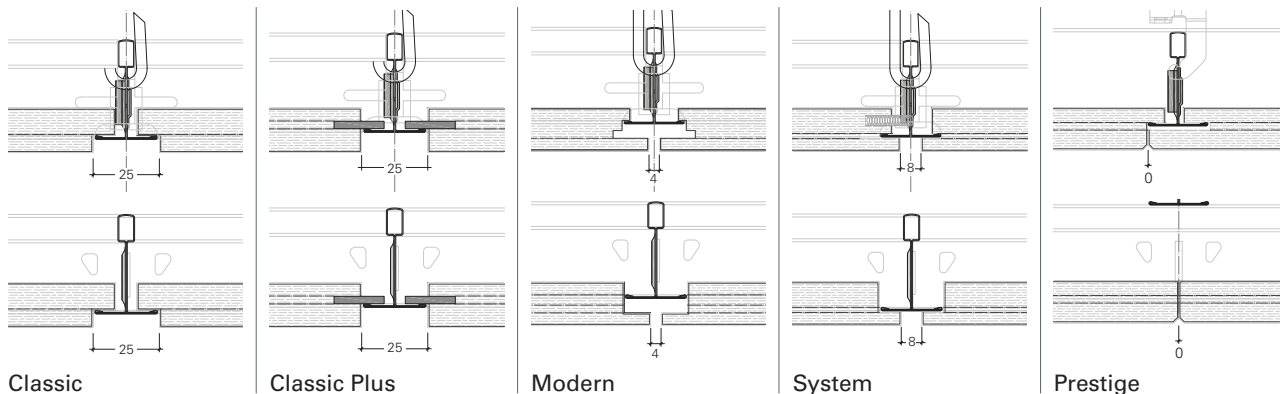
- Interior applications
- Tile sizes: 300/600/900/1200 x max. 1200 mm, other sizes available upon request
- Installed in T24 grid, with exposed/semi-concealed/concealed detail
- Types: Classic / Classic Plus / Modern / Prestige / System
- Various perforation patterns for acoustical performance
- Other sizes are available upon request
- Nano perforation for high acoustics up to  $\alpha_w$  0.95
- Variety of organic or engineered wood veneers, FSC or PEFC certified
- Clear and coloured stains available
- Demountable system for easy access to plenum
- Also available as wall solution (see page 308) or exterior application (see page 260)
- Compatible with industry standard lighting, HVAC, speaker, fire safety and security services

**TYPICAL ISOMETRICS**

- 1 = Veneered Wood Tile (type Modern shown)
- 2 = T 24 main runner
- 3 = T 24 cross runner
- 4 = Quick hanger



**TYPICAL SECTIONS**



Classic

Classic Plus

Modern

System

Prestige

**PERFORATION PATTERNS**

Standard patterns shown. See page 351 to see all perforation patterns.  
Scale 1:1 shown, unless otherwise noted.

Scale 1:5	Scale 1:5	Scale 1:5	Scale 1:5	Scale 1:5	Scale 1:20	Scale 1:20	Scale 1:5
R7015 Ø 7 mm ⌀ 16 ⇔ 16 Single Round Regular Openness 15%	D10008 Ø 10 mm ⌀ 32 ⇔ 32 Single Round Irregular Openness 8%	R1503A Ø 1.5 mm ⌀ 8 ⇔ 8 Double Round Regular Openness 3%	R5008B Ø 5 mm ⌀ 16 ⇔ 16 Double Round Regular Openness 8%	D0505A Ø 0.5 mm ⌀ 1.9 ⇔ 1.9 Nano Perfo Irregular Openness 23.9%	R9711S WxH 97/8 mm ⌀ 48 ⇔ 132 Slotted perfo Regular Openness 11%	D9711S WxH 97/8 mm ⌀ 48 ⇔ 132 Slotted perfo Irregular Openness 11%	Topline® 28/4 Plain 28 mm Groove 4 mm Openness 13%

**PHYSICAL DATA**

Acoustic rating: Up to  $\alpha_w$  0.95  
Weight: 11.0 - 13.0 kg/m<sup>2</sup>

**LEED V4 CREDITS**

- EA : Optimise Energy Performance
- EQ : Low-Emitting Materials
- EQ : Indoor Air Quality Management
- EQ : Acoustic Performance

**CERTIFICATIONS**

- FSC
- PEFC



**COLOURS AND FINISHES**

Hunter Douglas offers a wide choice of wood species and finishes. Coloured stains can be applied to match custom colours or existing building elements. See our website for the most up to date information. The images are for illustration purposes only.

**ORGANIC VENEERS**

Organic veneer is a natural material sliced from tree logs without alterations or enhancements. This veneer types shows all the characteristics and intrinsic patterns of the tree, caused by the natural influences during his lifetime, making each veneer unique.



American Maple    American Red Oak    American Walnut    American/European Oak    European Ash    European Birch    Pine    Steamed Beech

**ORGANIC DYED VENEERS**

Organic dyed veneer is a completely natural veneer, dyed to create a unique, uniform colour.



Ash BF 001    Ash BF 002    Ash BF 049    Ash BF050    Birch BG 046    Birds Eye Maple E 069    Bolivar EB 064    Walnut EA193

**ENGINEERED VENEERS**

Engineered veneer is a natural material, processed to create a specific predesigned appearance. The veneer patterns create a more consistent and uniform appearance.



Oak    Wenge    Birch    Rosewood    Teak    Walnut    Cherry    Zingana

**SPECIALS**

A high variety of special veneers and top layers are available.

**Banana trunk veneers**



Grenada    Porto Rico    Martinique    St Barth    Aruba    Barbados    Anguilla    Dominica

**Engineered special veneers**



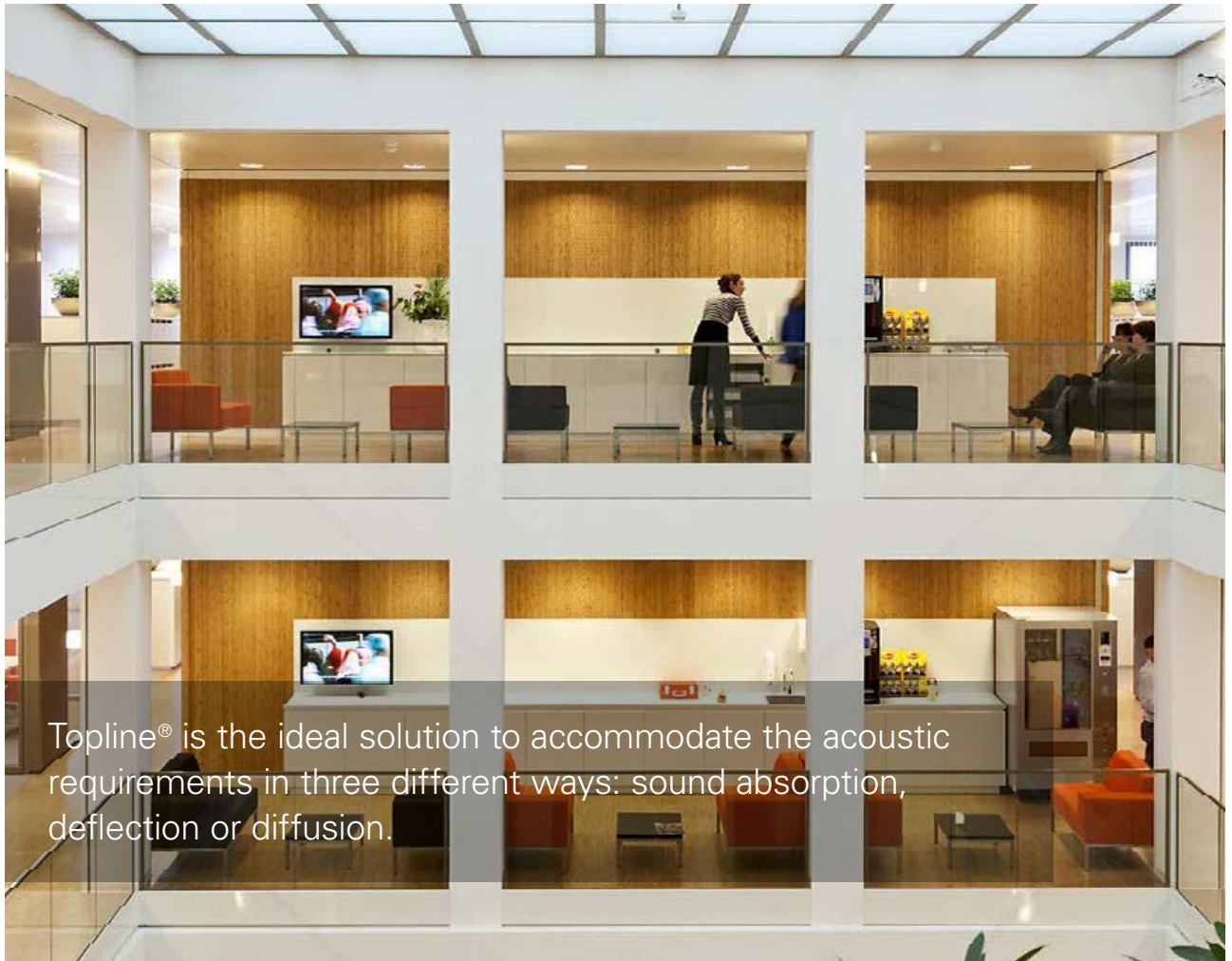
Arrow    Brown Devil    Deco M02    Deco M06    Burl    Cherry EVH    Vega    Mark

- Other finishes such as HPL, melamine or handsprayed RAL colours are available upon request. Please refer to our website for the latest product range.



Project: Orbis Medical Centre, Sittard, The Netherlands - Product: Veneered Wood Tiles - Architect: Bonnema Architecten





Topline® is the ideal solution to accommodate the acoustic requirements in three different ways: sound absorption, deflection or diffusion.

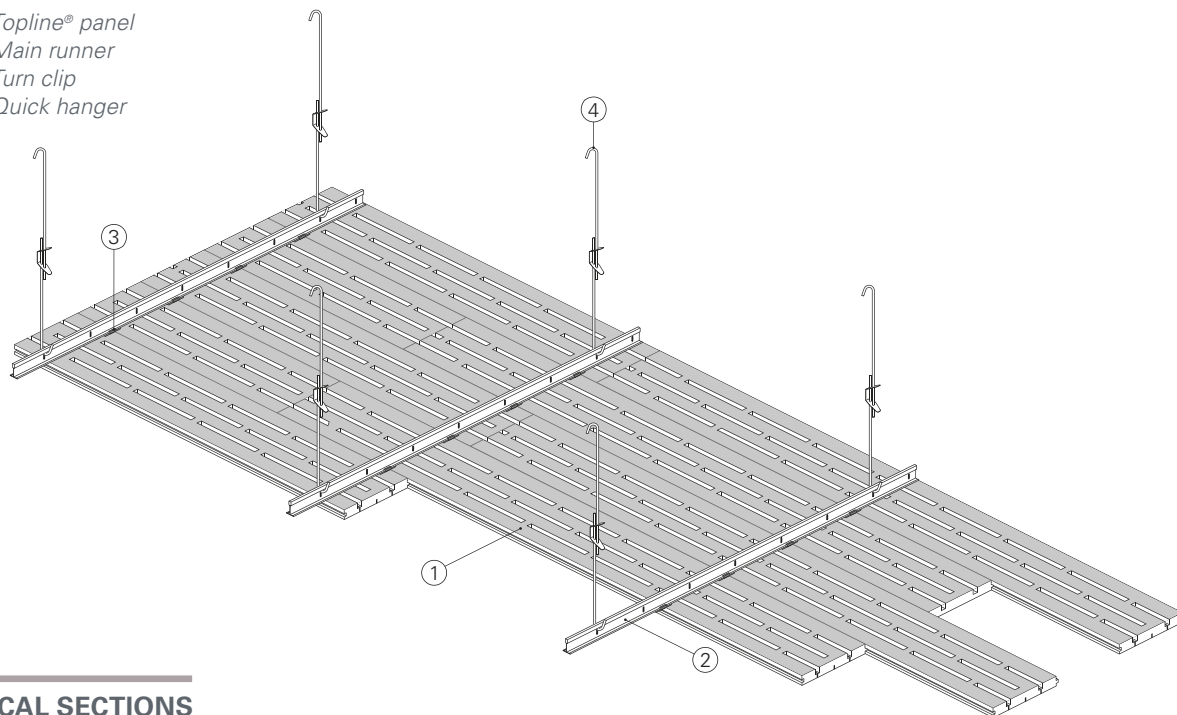
*Project: Rabobank Doetinchem, The Netherlands - Product: Topline TLS 13/3, Bamboo - Architect: AWG Architecten*

## KEY FEATURES

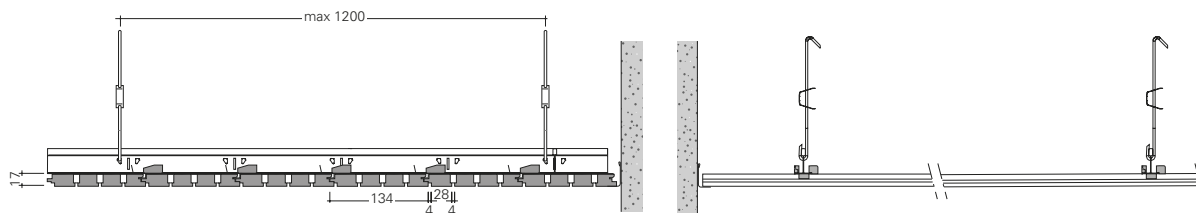
- Interior applications
- Panel sizes: 128/262 x 2050/2780 mm
- Installed in T24 grid, with tongue and groove connection
- Types: TTA / TLS / TVB / TLD / TLQ
- Various perforation designs
- Acoustic solution for sound absorption / deflection / diffusion
- Variety of organic or engineered wood veneers, FSC or PEFC certified
- Clear and coloured stains available
- Demountable system for easy access to plenum
- Also available as wall solution, see page 304
- Compatible with industry standard lighting, HVAC, speaker, fire safety and security services

**TYPICAL ISOMETRICS**

- 1 = Topline® panel
- 2 = Main runner
- 3 = Turn clip
- 4 = Quick hanger



**TYPICAL SECTIONS**



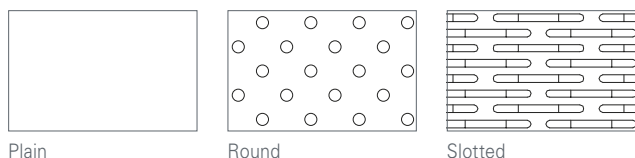
**PERFORATION PATTERNS**

Standard patterns shown. See page 351 to see all perforation patterns.  
Scale 1:1 shown, unless otherwise noted.

**VIEW SIDES (Scale 1:5)**

Topline® 6/2 Plain 6 mm Groove 2 mm Openness 25%	Topline® 9/2 Plain 9 mm Groove 2 mm Openness 18%	Topline® 14/2 Plain 14 mm Groove 2 mm Openness 13%	Topline® 13/3 Plain 13 mm Groove 3 mm Openness 19%	Topline® 29/3 Plain 29 mm Groove 3 mm Openness 9%	Topline® 28/4 Plain 28 mm Groove 4 mm Openness 13%

**BACK SIDES (Scale 1:5)**



**PHYSICAL DATA**

Acoustic rating: Up to  $\alpha_w$  0.90  
Weight: 11.0 - 13.0 kg/m<sup>2</sup>

**LEED V4 CREDITS**

- EA : Optimise Energy Performance
- EQ : Low-Emitting Materials
- EQ : Indoor Air Quality Management
- EQ : Acoustic Performance

**CERTIFICATIONS**

- FSC
- PEFC



## COLOURS AND FINISHES

Hunter Douglas offers a wide choice of wood species and finishes. Coloured stains can be applied to match custom colours or existing building elements. See our website for the most up to date information. The images are for illustration purposes only.

### ORGANIC VENEERS

Organic veneer is a natural material sliced from tree logs without alterations or enhancements. This veneer types shows all the characteristics and intrinsic patterns of the tree, caused by the natural influences during his lifetime, making each veneer unique.



American Maple    American Red Oak    American Walnut    American/European Oak    European Ash    European Birch    Pine    Steamed Beech

### ORGANIC DYED VENEERS

Organic dyed veneer is a completely natural veneer, dyed to create a unique, uniform colour.



Ash BF 001    Ash BF 002    Ash BF 049    Ash BF050    Birch BG 046    Birds Eye Maple E 069    Bolivar EB 064    Walnut EA193

### ENGINEERED VENEERS

Engineered veneer is a natural material, processed to create a specific predesigned appearance. The veneer patterns create a more consistent and uniform appearance.



Oak    Wenge    Birch    Rosewood    Teak    Walnut    Cherry    Zingana

### SPECIALS

A high variety of special veneers and top layers are available.

#### Banana trunk veneers



Grenada    Porto Rico    Martinique    St Barth    Aruba    Barbados    Anguilla    Dominica

#### Engineered special veneers



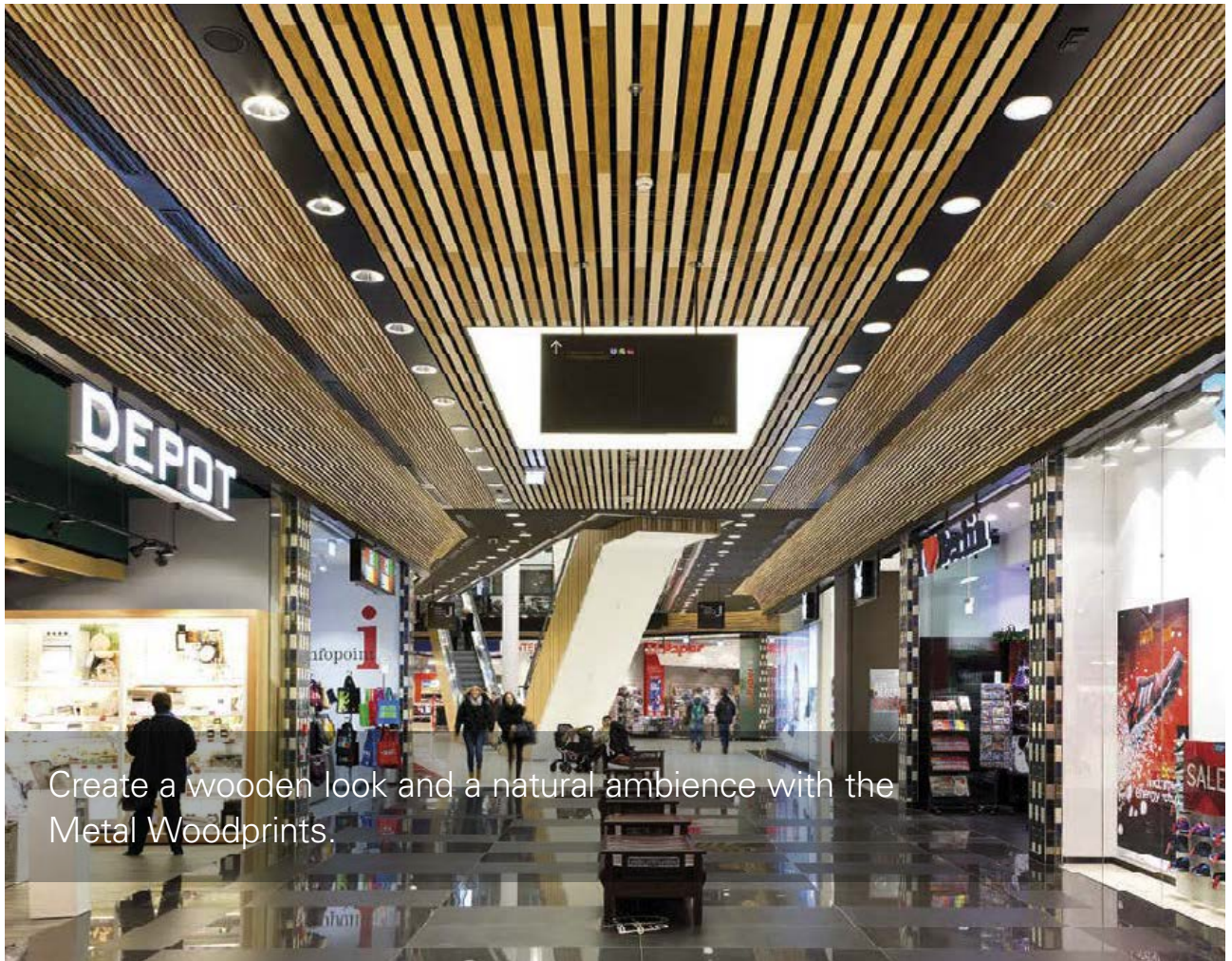
Arrow    Brown Devil    Deco M02    Deco M06    Burl    Cherry EVH    Vega    Mark

- Other finishes such as HPL, melamine or handsprayed RAL colours are available upon request. Please refer to our website for the latest product range.



Project: Credit Agricole, France - Product: Topline® TLS 14/2, Banana leaf, Bahamas - Architect: Nacéra Rahal





Create a wooden look and a natural ambience with the Metal Woodprints.

*Project: EKZ Mall, Leipziger Platz, Berlin, Germany - Product: Multi-Panel 30BD and 80B, Metal Woodprint - Architect: ARGE LP12*

## KEY FEATURES

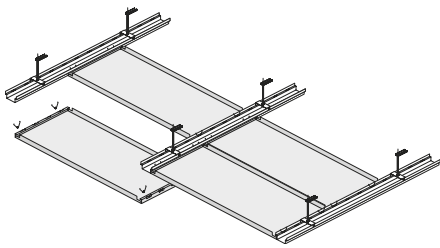
- Interior applications
- Realistic wood designs available for our metal ceilings range
- Use the benefits of metal, with the looks of natural wood
- Direct print or transfer prints solutions
- Acoustic solutions available
- Also available for exterior applications
- Compatible with industry standard lighting, HVAC, speaker, fire safety, and security services

Project : Shopping Center Las Huertas,  
 Palencia, Spain  
 Product : Multi-Panel 30BD, Metal Woodprint  
 Architect: B+R Arquitectos Asociados

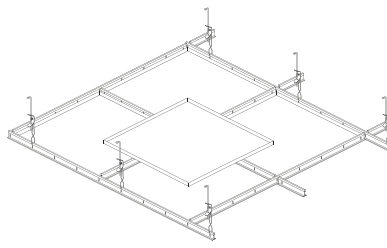


## WOODPRINT APPLICATIONS

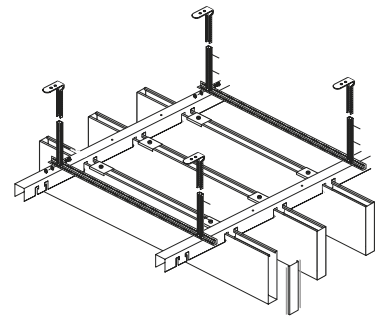
Woodprint finishes are available as standard for the following HunterDouglas® Metal Ceilings:



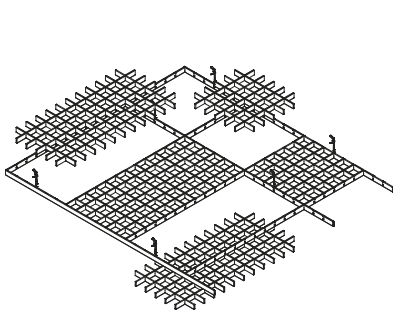
Planks (see page 56 - 103)



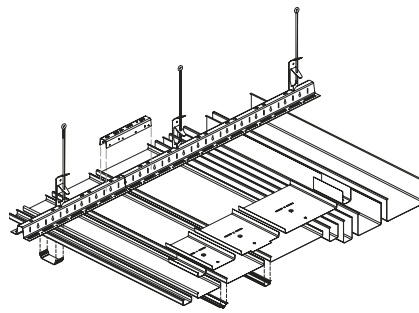
Tiles (see page 104 - 111)



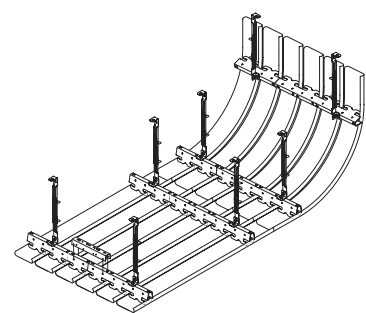
Baffles (see page 172 - 191)



Cell (see page 192 - 207)



Linear (see page 208 - 227)



Curved (see page 228 - 239)



**COLOURS AND FINISHES**

Hunter Douglas offers a wide choice of colours, wood prints and finishes, with different printing techniques. See our website for the most up to date information. The images are for illustration purposes only.

**WOOD TONES**



8476 Cedar      8474 Pine      8494 Oak      8492 Birch      8472 Palisander

**DECORATED WOOD-LOOK OPTIONS**

Powder-coat paint finish (interior and exterior). Formaldehyde-free, Class A composite panel. This finish is recommended for exterior conditions.



Fonthill Cherry 8426      Walnut 8424      Amber Bamboo 8435      African Wenge 8944      Grey Barnwood Cedar 8437      Golden Douglas Fir 8436      American Oak 8439      Cajun Cypress 8442



Swamp Cypress 8444      Clipper Teak 8446      Windjammer Teak 8449      Douglas Fir 8452      Anigre 8453      Farm Maple 8458      Caravel Teak 8460      Regatta Teak 8461



Summer Maple 8465      Terrace Maple 8466      Red River Pecan 8467      Bayou Pecan 8468      Northwest Mountain Hemlock 8489      Whitewash 8498      Rustic Cherry 8939      Cherry 8942

**LAMINATED (FILM) WOOD OPTIONS**

Pre-painted coil with a PVC film finish, for interior only.



Oak 8920      Maple 8921      Cherry 8922      Cypress 8925      Grey Cedar 8931      Teak 8923      Whitewash 8924      Walnut 8927

**COIL COATED WOOD-LOOK OPTIONS**

Coil-coated paint finishes are suitable for interior applications.



Cherry 8928      Teak 8929      Dark Walnut 8930



International Poznan Fairs, Poznan, Poland - Product: Multi-Panel 80B Interior and Exterior, Metal Woodprint - Architect: ADS Studio





International Poznan Fairs, Poznan, Poland - Product: Multi-Panel 80B Interior and Exterior, Metal Woodprint - Architect: ADS Studio









Project: Zayed Sports City, Abu Dhabi, United Arab Emirates  
Architect: Sparch  
Product: Linear Multipanel 80B Metal Woodprint



# METAL CEILING

With a 50 year legacy of product innovation, our metal ceiling and wall systems continue to lead in design, function and sustainability.









Project: Schiphol Lounge 2, Amsterdam, The Netherlands  
Architect: Kossman.dejong  
Product: Linear 30/40 BXD ceiling





Project: Chisinau airport, Chisinau, Republic of Moldova  
Architect: Vladimir Pinzaru (Arhform)  
Product: Linear 80BXD ceiling





Project: Brussels Airport Connector, Brussels, Belgium  
 Architect: Chapman Taylor Benelux  
 Product: Wide Panel 300C Curved and Multipanel

# METAL CEILINGS

PLANKS 60

TILES 108

STRETCH METAL 116

QUADROCLAD® ACOUSTIC 144

WIDE PANEL 160

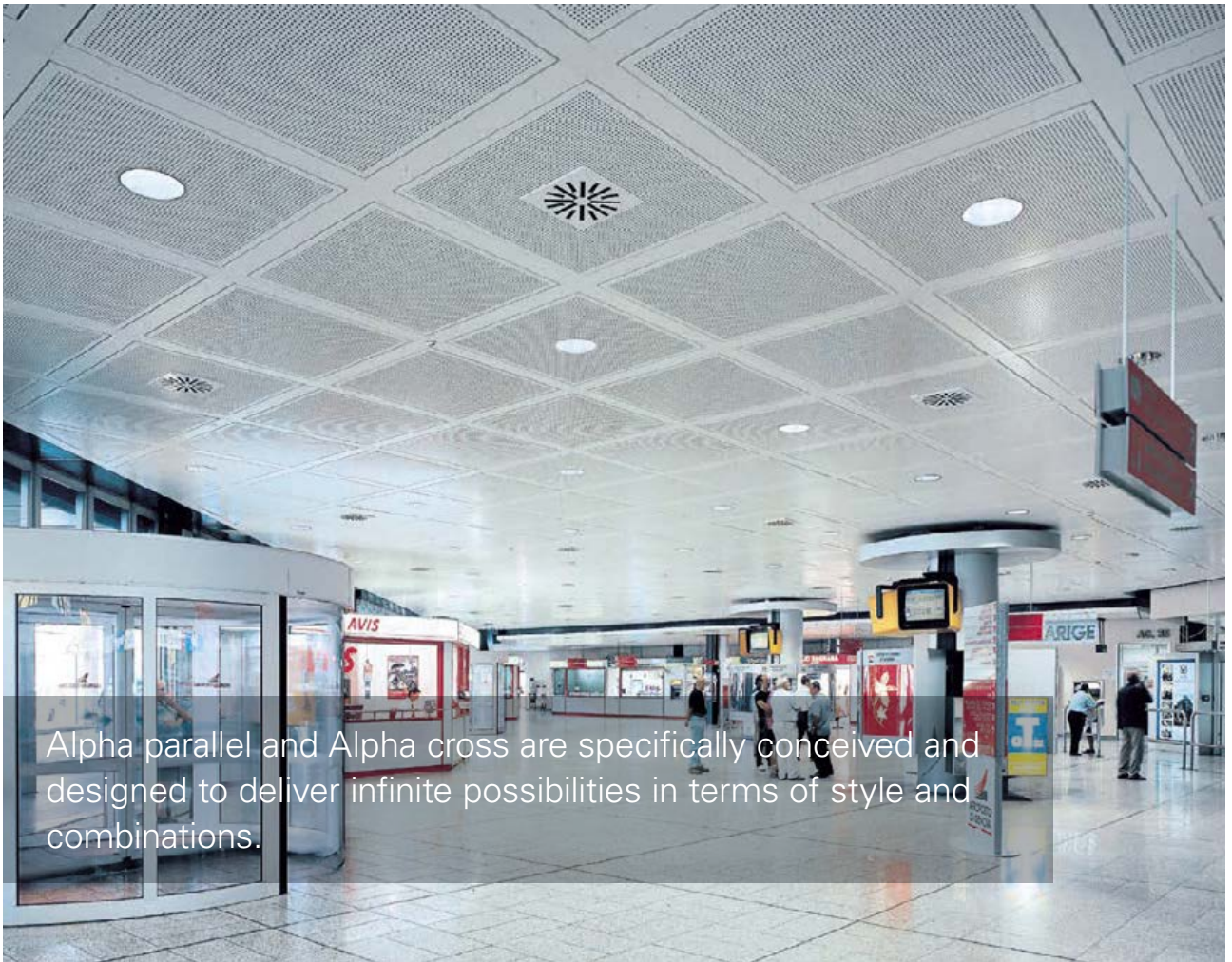
BAFFLES 176

CELL 198

LINEAR 214

CURVED 234





Alpha parallel and Alpha cross are specifically conceived and designed to deliver infinite possibilities in terms of style and combinations.

Project: Aeroporto di Genova, TGenoa, Italy - Product: Planks Alpha (Bandraster)

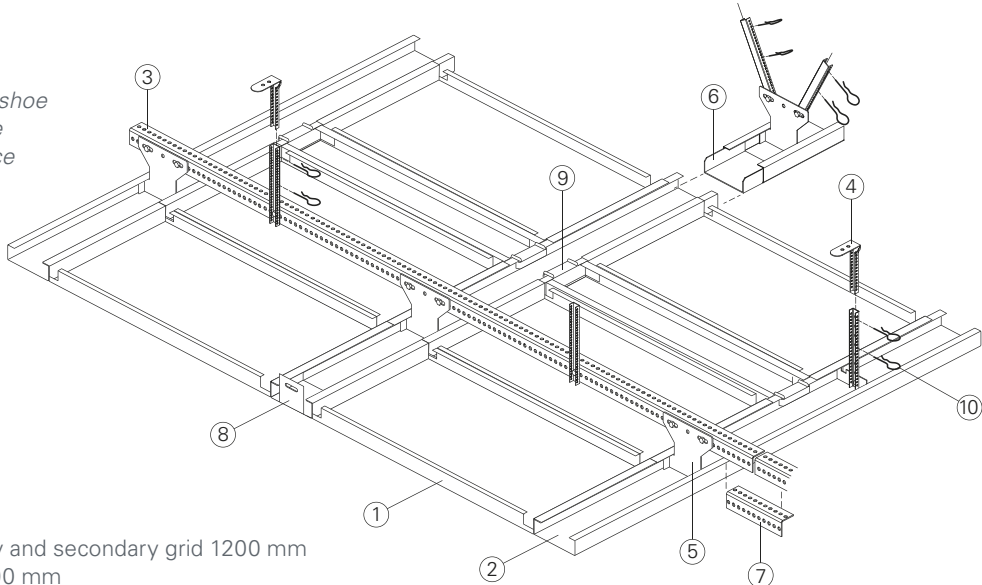
## KEY FEATURES

- Panel sizes:
  - minimum 300 x 520 mm
  - maximum 1050 x 2400 mm\*
- Square-edge design in parallel or cross design installation
- Perforated panels with non-woven tissue for acoustic control
- On site waste reduction with factory fabricated dimensional material
- Downweight: reduce static load with lightweight aluminum or steel
- Easy plenum access
- Compatible with industry standard lighting, HVAC, speaker, fire safety, and security services

\*For large dimensions contact our sales unit

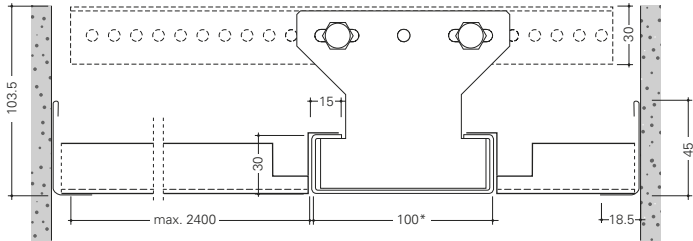
TYPICAL ISOMETRICS

- 1 = C-Grid panel
- 2 = C-Grid profile
- 3 = Primary profile
- 4 = Nonius hanger
- 5 = C-Grid suspension shoe
- 6 = C-Grid profile splice
- 7 = Primary profile splice
- 8 = Wall bracket
- 9 = Cross connector
- 10 = Locking clips



Maximum spans primary and secondary grid 1200 mm  
 Maximum cantilevers 300 mm

TYPICAL SECTIONS



\*Other sizes on request (80 - 300 mm)

PERFORATION PATTERNS

Standard patterns shown. See page 350 for all perforation patterns.  
 Scale shown: 1:1, unless otherwise noted.

D1522 Ø 1.5 mm ⌈ 4 ⇔ 4	D2022 Ø 2 mm ⌈ 5 ⇔ 5	R1511 Ø 1.5 mm ⌈ 4 ⇔ 4	R2011 Ø 2 mm ⌈ 5 ⇔ 5	R2516 Ø 2.5 mm ⌈ 5.5 ⇔ 5.5
Openness 22%	Openness 22%	Openness 11%	Openness 11%	Openness 16%

PHYSICAL DATA

Substrate: Steel or Aluminium  
 Fire rating: Class A1 according EN 13501-1  
 Weight: Varies 4.9 - 7.8 kg/m<sup>2</sup>  
 Light reflectance (LR) Coefficient:  
 - Varies with finish  
 - RAL9010: LR = 0.81  
 Acoustic ratings: α<sub>w</sub> 0.55-0.90: See page 352

BIM  
 REVIT files available for BIM contributions,  
 see website for details.

LEED V4 CREDITS

- EA : Optimise Energy Performance
- MR : Building Product Disclosure
- EQ : Low-Emitting Materials
- EQ : Indoor Air Quality Assessment
- EQ : Daylight
- EQ : Acoustic Performance

CERTIFICATIONS

TAIM QS  
 French VOC Regulation: Class A  
 EPD: Available upon request



**COLOURS AND FINISHES**

Hunter Douglas offers a wide choice of colours and finishes. Custom colour matching is available upon request. Please contact your local Hunter Douglas sales office for minimum quantities and lead times. See website for the most up to date information. Colours are for illustration purposes only.

**STANDARD PAINT COLOURS**



0181 RAL 9003    0106 RAL 9016    0280 RAL 9010    7163 RAL 9006

**CUSTOM COLOURS**



**DECORATED WOOD-LOOK OPTIONS**

Powder-coat paint finish (interior and exterior). Formaldehyde-free, Class A composite panel. This finish is recommended for exterior conditions.



Fonthill Cherry 8426    Walnut 8424    Amber Bamboo 8435    African Wenge 8944    Grey Barnwood Cedar 8437    Golden Douglas Fir 8436    American Oak 8439    Cajun Cypress 8442



Swamp Cypress 8444    Clipper Teak 8446    Windjammer Teak 8449    Douglas Fir 8452    Anigre 8453    Farm Maple 8458    Caravel Teak 8460    Regatta Teak 8461



Summer Maple 8465    Terrace Maple 8466    Red River Pecan 8467    Bayou Pecan 8468    Northwest Mountain Hemlock 8489    Whitewash 8498    Rustic Cherry 8939    Cherry 8942

**LAMINATED (FILM) WOOD OPTIONS**

Pre-painted coil with a PVC film finish, for interior only.



Oak 8920    Maple 8921    Cherry 8922    Cypress 8925    Grey Cedar 8931    Teak 8923    Whitewash 8924    Walnut 8927

**COIL COATED WOOD-LOOK OPTIONS**

Coil-coated paint finishes are suitable for interior applications.



Cherry 8928    Teak 8929    Dark Walnut 8930

**STAINLESS STEEL OPTIONS**

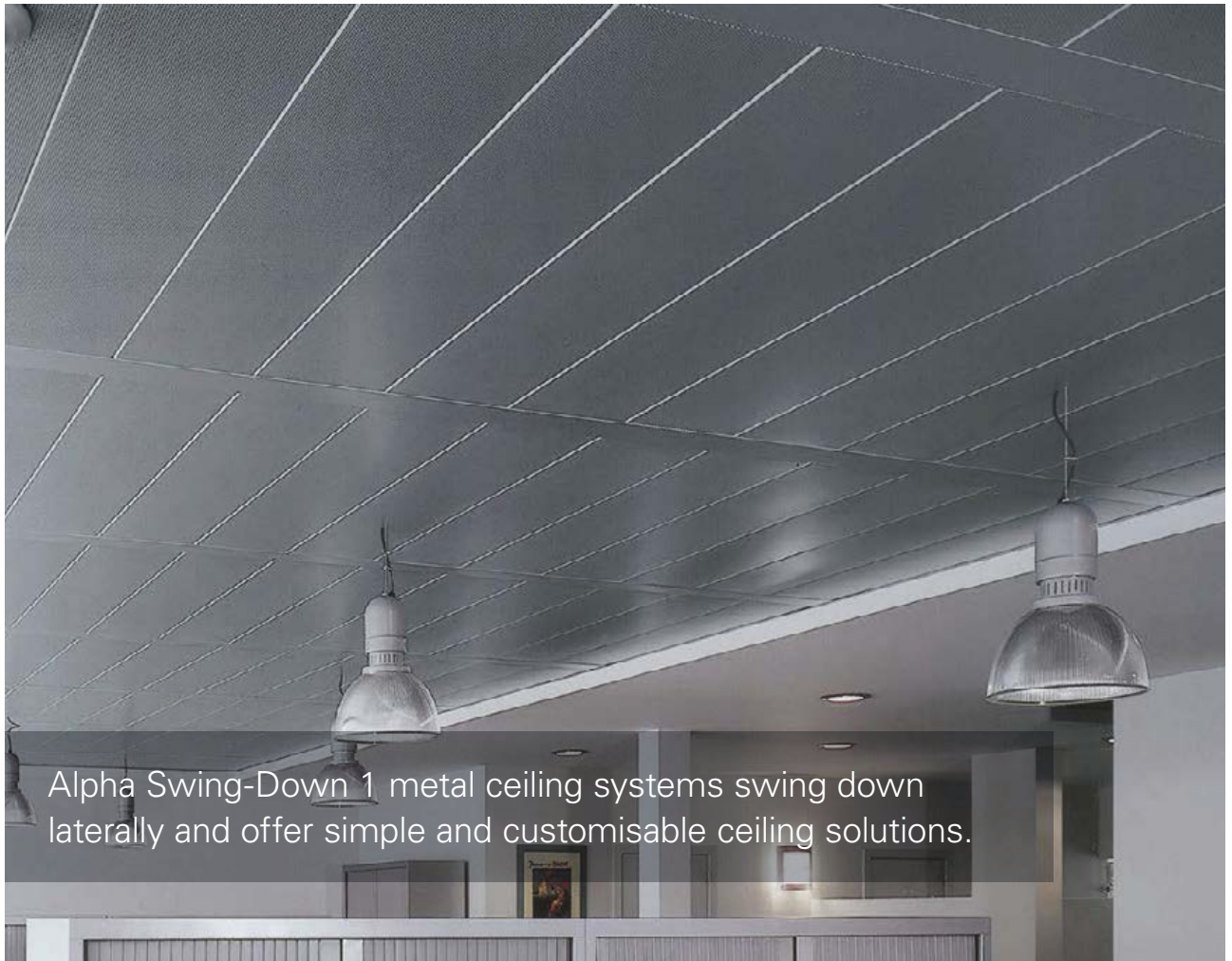
Object shows reflectivity of finish



Satin 7772C    Brushed 7774C    Bright 7776C    Mirror 7778C







Alpha Swing-Down 1 metal ceiling systems swing down laterally and offer simple and customisable ceiling solutions.

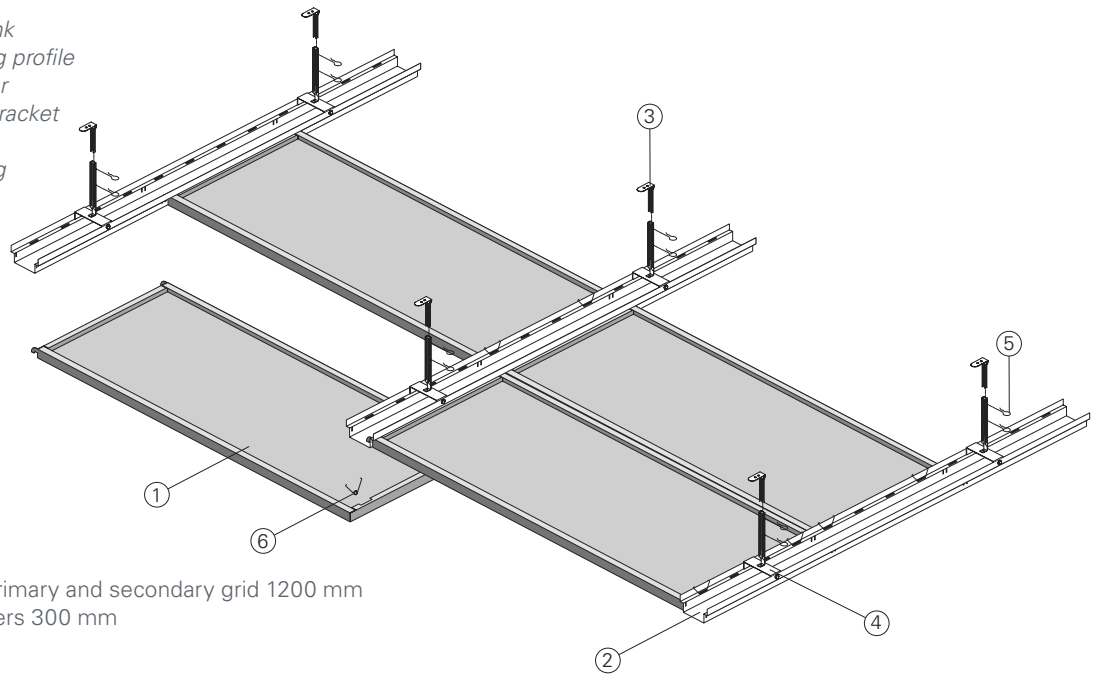
## KEY FEATURES

- Panel sizes:
  - minimum 300 x 520 mm
  - maximum 1050 x 2400 mm\*
- Square-edge design in parallel or cross design installation
- Perforated panels with non-woven tissue for acoustic control
- On site waste reduction with factory fabricated dimensional material
- Downweight: reduce static load with lightweight aluminum or steel
- Swing down feature allows point-access and 100% access to plenum
- Compatible with industry standard lighting, HVAC, speaker, fire safety, and security services

*\*For large dimensions contact our sales unit*

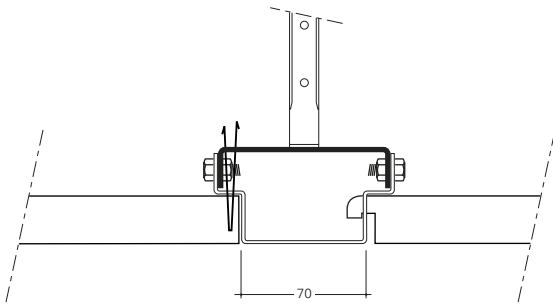
## TYPICAL ISOMETRICS

- 1 = Alpha SD plank
- 2 = Torsion-Spring profile
- 3 = Nonius hanger
- 4 = Suspension bracket
- 5 = Locking clips
- 6 = Torsion-Spring



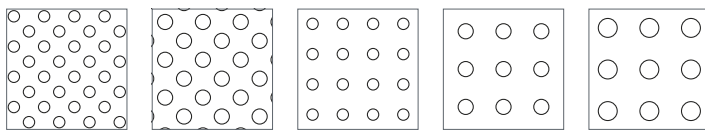
Maximum spans primary and secondary grid 1200 mm  
Maximum cantilevers 300 mm

## TYPICAL SECTIONS



## PERFORATION PATTERNS

Standard patterns shown. See page 350 for all perforation patterns.  
Scale shown: 1:1, unless otherwise noted.



D1522	D2022	R1511	R2011	R2516
Ø 1.5 mm	Ø 2 mm	Ø 1.5 mm	Ø 2 mm	Ø 2.5 mm
⌈ 4 ⇔ 4	⌈ 5 ⇔ 5	⌈ 4 ⇔ 4	⌈ 5 ⇔ 5	⌈ 5.5 ⇔ 5.5
Openness 22%	Openness 22%	Openness 11%	Openness 11%	Openness 16%

## PHYSICAL DATA

**Substrate:** Steel or Aluminium  
**Fire rating:** Class A1 according EN 13501-1  
**Weight:** Varies 4.9 - 7.8 kg/m<sup>2</sup>  
**Light reflectance (LR) Coefficient:**  
 - Varies with finish  
 - RAL9010: LR = 0.81  
**Acoustic ratings:**  $\alpha_w$  0.55-0.90: See page 352

### BIM

REVIT files available for BIM contributions,  
see website for details.

## LEED V4 CREDITS

EA : Optimise Energy Performance  
 MR : Building Product Disclosure  
 EQ : Low-Emitting Materials  
 EQ : Indoor Air Quality Assessment  
 EQ : Daylight  
 EQ : Acoustic Performance

## CERTIFICATIONS

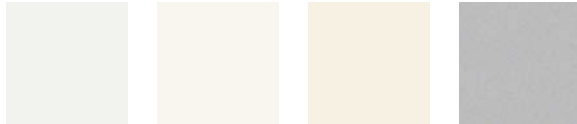
TAIM QS  
 French VOC Regulation: Class A  
 EPD: Available upon request



**COLOURS AND FINISHES**

Hunter Douglas offers a wide choice of colours and finishes. Custom colour matching is available upon request. Please contact your local Hunter Douglas sales office for minimum quantities and lead times. See website for the most up to date information. Colours are for illustration purposes only.

**STANDARD PAINT COLOURS**



0181 RAL 9003    0106 RAL 9016    0280 RAL 9010    7163 RAL 9006

**CUSTOM COLOURS**



**DECORATED WOOD-LOOK OPTIONS**

Powder-coat paint finish (interior and exterior). Formaldehyde-free, Class A composite panel. This finish is recommended for exterior conditions.



Fonthill Cherry 8426    Walnut 8424    Amber Bamboo 8435    African Wenge 8944    Grey Barnwood Cedar 8437    Golden Douglas Fir 8436    American Oak 8439    Cajun Cypress 8442



Swamp Cypress 8444    Clipper Teak 8446    Windjammer Teak 8449    Douglas Fir 8452    Anigre 8453    Farm Maple 8458    Caravel Teak 8460    Regatta Teak 8461



Summer Maple 8465    Terrace Maple 8466    Red River Pecan 8467    Bayou Pecan 8468    Northwest Mountain Hemlock 8489    Whitewash 8498    Rustic Cherry 8939    Cherry 8942

**LAMINATED (FILM) WOOD OPTIONS**

Pre-painted coil with a PVC film finish, for interior only.



Oak 8920    Maple 8921    Cherry 8922    Cypress 8925    Grey Cedar 8931    Teak 8923    Whitewash 8924    Walnut 8927

**COIL COATED WOOD-LOOK OPTIONS**

Coil-coated paint finishes are suitable for interior applications.



Cherry 8928    Teak 8929    Dark Walnut 8930

**STAINLESS STEEL OPTIONS**

Object shows reflectivity of finish



Satin 7772C    Brushed 7774C    Bright 7776C    Mirror 7778C







Alpha Swing-Down 2 metal ceiling systems swings and slides away to create large service openings for your convenience.

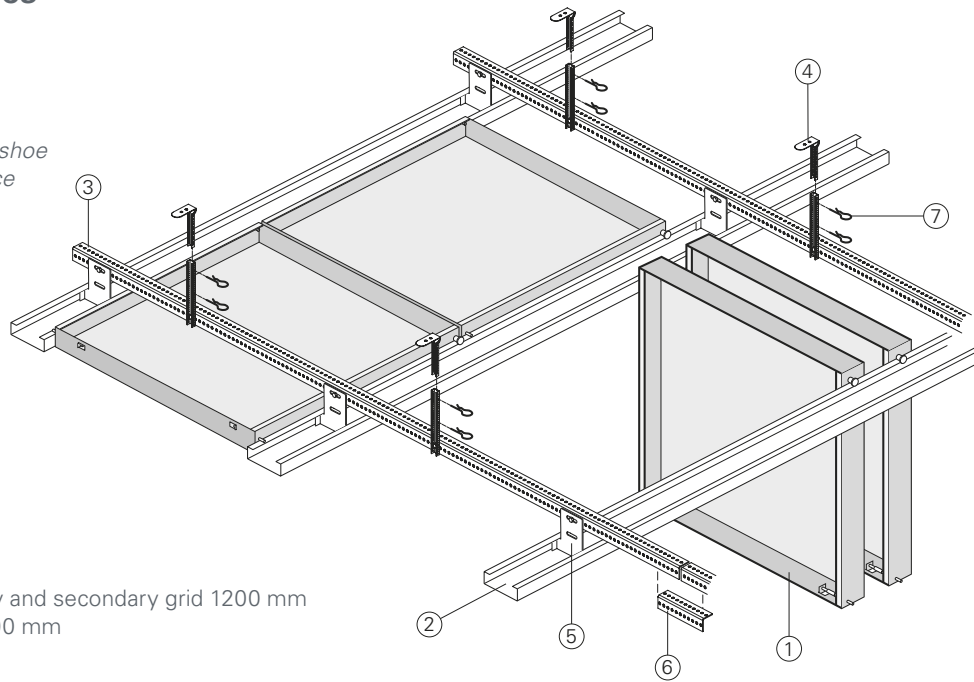
## KEY FEATURES

- Panel sizes:
  - minimum 300 x 520 mm
  - maximum 1050 x 2400 mm\*
- Square-edge design in parallel design installation
- Perforated panels with non-woven tissue for acoustic control
- On site waste reduction with factory fabricated dimensional material
- Downweight: reduce static load with lightweight aluminum or steel
- Swing down feature allows point-access and 100% access to plenum
- Compatible with industry standard lighting, HVAC, speaker, fire safety, and security services

*\*For large dimensions contact our sales unit*

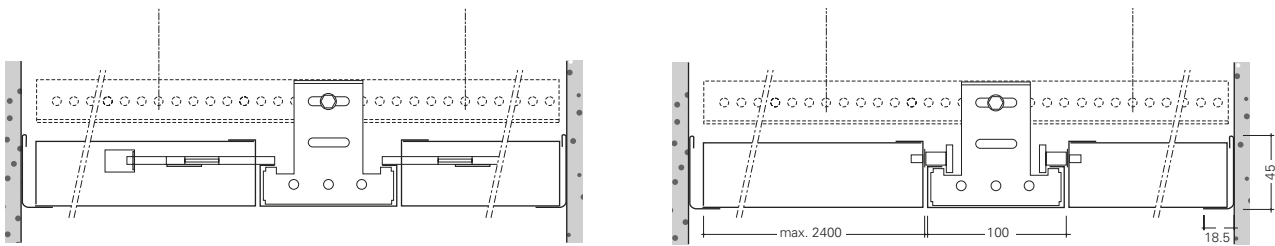
**TYPICAL ISOMETRICS**

- 1 = Alpha SD plank
- 2 = C-Grid profile
- 3 = Primary profile
- 4 = Nonius hanger
- 5 = C-Grid suspension shoe
- 6 = Primary profile splice
- 7 = Locking clips



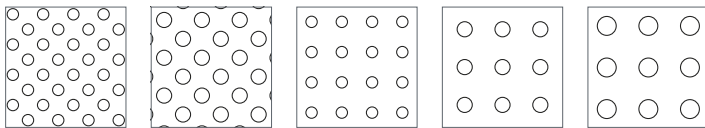
Maximum spans primary and secondary grid 1200 mm  
 Maximum cantilevers 300 mm

**TYPICAL SECTIONS**



**PERFORATION PATTERNS**

Standard patterns shown. See page 350 for all perforation patterns.  
 Scale shown: 1:1, unless otherwise noted.



D1522 Ø 1.5 mm ⌈ 4 ⇔ 4 Openness 22%	D2022 Ø 2 mm ⌈ 5 ⇔ 5 Openness 22%	R1511 Ø 1.5 mm ⌈ 4 ⇔ 4 Openness 11%	R2011 Ø 2 mm ⌈ 5 ⇔ 5 Openness 11%	R2516 Ø 2.5 mm ⌈ 5.5 ⇔ 5.5 Openness 16%
--	--	--	--	--

**PHYSICAL DATA**

**Substrate:** Steel or Aluminium  
**Fire rating:** Class A1 according EN 13501-1  
**Weight:** Varies 4.9 - 7.8 kg/m<sup>2</sup>  
**Light reflectance (LR) Coefficient:**  
 - Varies with finish  
 - RAL9010: LR = 0.81  
**Acoustic ratings:** α<sub>w</sub> 0.55-0.90: See page 352

**BIM**  
 REVIT files available for BIM contributions,  
 see website for details.

**LEED V4 CREDITS**

- EA : Optimise Energy Performance
- MR : Building Product Disclosure
- EQ : Low-Emitting Materials
- EQ : Indoor Air Quality Assessment
- EQ : Daylight
- EQ : Acoustic Performance

**CERTIFICATIONS**

TAIM QS  
 French VOC Regulation: Class A  
 EPD: Available upon request



**COLOURS AND FINISHES**

Hunter Douglas offers a wide choice of colours and finishes. Custom colour matching is available upon request. Please contact your local Hunter Douglas sales office for minimum quantities and lead times. See website for the most up to date information. Colours are for illustration purposes only.

**STANDARD PAINT COLOURS**



0181 RAL 9003    0106 RAL 9016    0280 RAL 9010    7163 RAL 9006

**CUSTOM COLOURS**



**DECORATED WOOD-LOOK OPTIONS**

Powder-coat paint finish (interior and exterior). Formaldehyde-free, Class A composite panel. This finish is recommended for exterior conditions.



Fonthill Cherry 8426    Walnut 8424    Amber Bamboo 8435    African Wenge 8944    Grey Barnwood Cedar 8437    Golden Douglas Fir 8436    American Oak 8439    Cajun Cypress 8442



Swamp Cypress 8444    Clipper Teak 8446    Windjammer Teak 8449    Douglas Fir 8452    Anigre 8453    Farm Maple 8458    Caravel Teak 8460    Regatta Teak 8461



Summer Maple 8465    Terrace Maple 8466    Red River Pecan 8467    Bayou Pecan 8468    Northwest Mountain Hemlock 8489    Whitewash 8498    Rustic Cherry 8939    Cherry 8942

**LAMINATED (FILM) WOOD OPTIONS**

Pre-painted coil with a PVC film finish, for interior only.



Oak 8920    Maple 8921    Cherry 8922    Cypress 8925    Grey Cedar 8931    Teak 8923    Whitewash 8924    Walnut 8927

**COIL COATED WOOD-LOOK OPTIONS**

Coil-coated paint finishes are suitable for interior applications.



Cherry 8928    Teak 8929    Dark Walnut 8930

**STAINLESS STEEL OPTIONS**

Object shows reflectivity of finish



Satin 7772C    Brushed 7774C    Bright 7776C    Mirror 7778C







Alpha Swing-Down 3 with Torsion-Spring mount allows ceiling panels to swing down in any direction from the ceiling plane.

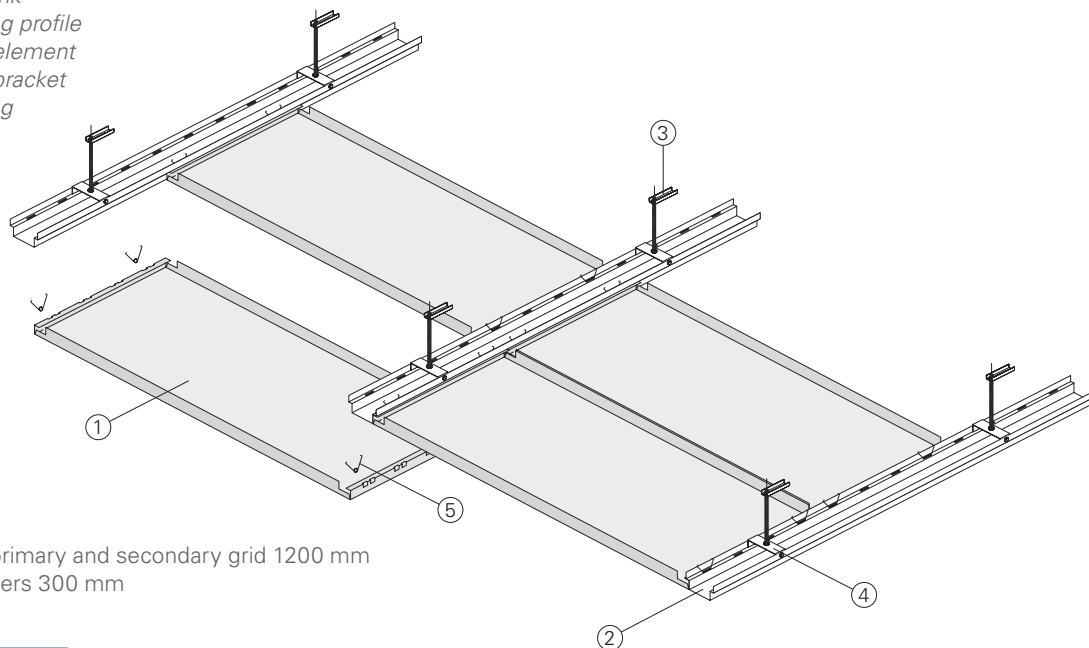
### KEY FEATURES

- Panel sizes:
  - minimum 300 x 520 mm
  - maximum 1050 x 2400 mm\*
- Torsion-Spring feature allows point-access and 100% access to plenum
- Square-edge design in parallel or cross design installation
- Perforated panels with non-woven tissue for acoustic control
- On site waste reduction with factory fabricated dimensional material
- Downweight: reduce static load with lightweight aluminum or steel
- Compatible with industry standard lighting, HVAC, speaker, fire safety, and security services

*\*For large dimensions contact our sales unit*

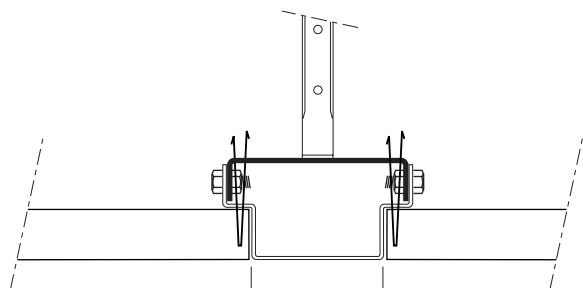
**TYPICAL ISOMETRICS**

- 1 = Alpha SD plank
- 2 = Torsion-Spring profile
- 3 = Suspension element
- 4 = Suspension bracket
- 5 = Torsion-Spring



Maximum spans primary and secondary grid 1200 mm  
 Maximum cantilevers 300 mm

**TYPICAL SECTIONS**



**PERFORATION PATTERNS**

Standard patterns shown. See page 350 for all perforation patterns.  
 Scale shown: 1:1, unless otherwise noted.

D1522 Ø 1.5 mm ⌈ 4 ⇔ 4 Openness 22%	D2022 Ø 2 mm ⌈ 5 ⇔ 5 Openness 22%	R1511 Ø 1.5 mm ⌈ 4 ⇔ 4 Openness 11%	R2011 Ø 2 mm ⌈ 5 ⇔ 5 Openness 11%	R2516 Ø 2.5 mm ⌈ 5.5 ⇔ 5.5 Openness 16%

**PHYSICAL DATA**

**Substrate:** Steel or Aluminium  
**Fire rating:** Class A1 according EN 13501-1  
**Weight:** Varies 4.9 - 7.8 kg/m<sup>2</sup>  
**Light reflectance (LR) Coefficient:**  
 - Varies with finish  
 - RAL9010: LR = 0.81  
**Acoustic ratings:** α<sub>w</sub> 0.55-0.90: See page 352

**BIM**  
 REVIT files available for BIM contributions,  
 see website for details.

**LEED V4 CREDITS**

- EA : Optimise Energy Performance
- MR : Building Product Disclosure
- EQ : Low-Emitting Materials
- EQ : Indoor Air Quality Assessment
- EQ : Daylight
- EQ : Acoustic Performance

**CERTIFICATIONS**

TAIM QS  
 French VOC Regulation: Class A  
 EPD: Available upon request



**COLOURS AND FINISHES**

Hunter Douglas offers a wide choice of colours and finishes. Custom colour matching is available upon request. Please contact your local Hunter Douglas sales office for minimum quantities and lead times. See website for the most up to date information. Colours are for illustration purposes only.

**STANDARD PAINT COLOURS**



0181 RAL 9003    0106 RAL 9016    0280 RAL 9010    7163 RAL 9006

**CUSTOM COLOURS**



**DECORATED WOOD-LOOK OPTIONS**

Powder-coat paint finish (interior and exterior). Formaldehyde-free, Class A composite panel. This finish is recommended for exterior conditions.



Fonthill Cherry 8426    Walnut 8424    Amber Bamboo 8435    African Wenge 8944    Grey Barnwood Cedar 8437    Golden Douglas Fir 8436    American Oak 8439    Cajun Cypress 8442



Swamp Cypress 8444    Clipper Teak 8446    Windjammer Teak 8449    Douglas Fir 8452    Anigre 8453    Farm Maple 8458    Caravel Teak 8460    Regatta Teak 8461



Summer Maple 8465    Terrace Maple 8466    Red River Pecan 8467    Bayou Pecan 8468    Northwest Mountain Hemlock 8489    Whitewash 8498    Rustic Cherry 8939    Cherry 8942

**LAMINATED (FILM) WOOD OPTIONS**

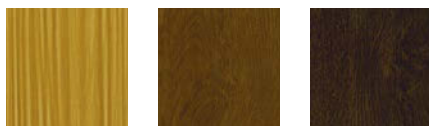
Pre-painted coil with a PVC film finish, for interior only.



Oak 8920    Maple 8921    Cherry 8922    Cypress 8925    Grey Cedar 8931    Teak 8923    Whitewash 8924    Walnut 8927

**COIL COATED WOOD-LOOK OPTIONS**

Coil-coated paint finishes are suitable for interior applications.



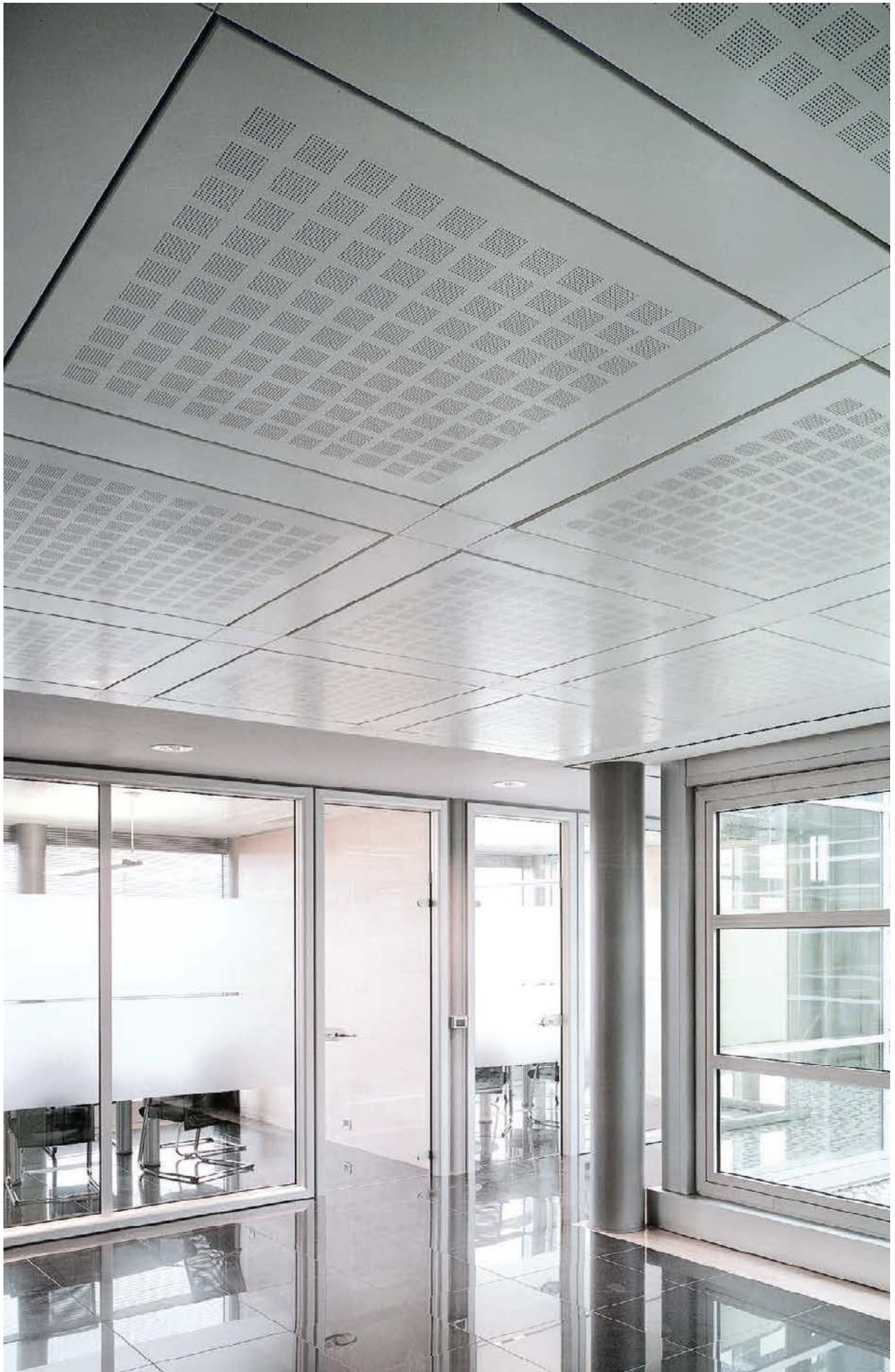
Cherry 8928    Teak 8929    Dark Walnut 8930

**STAINLESS STEEL OPTIONS**

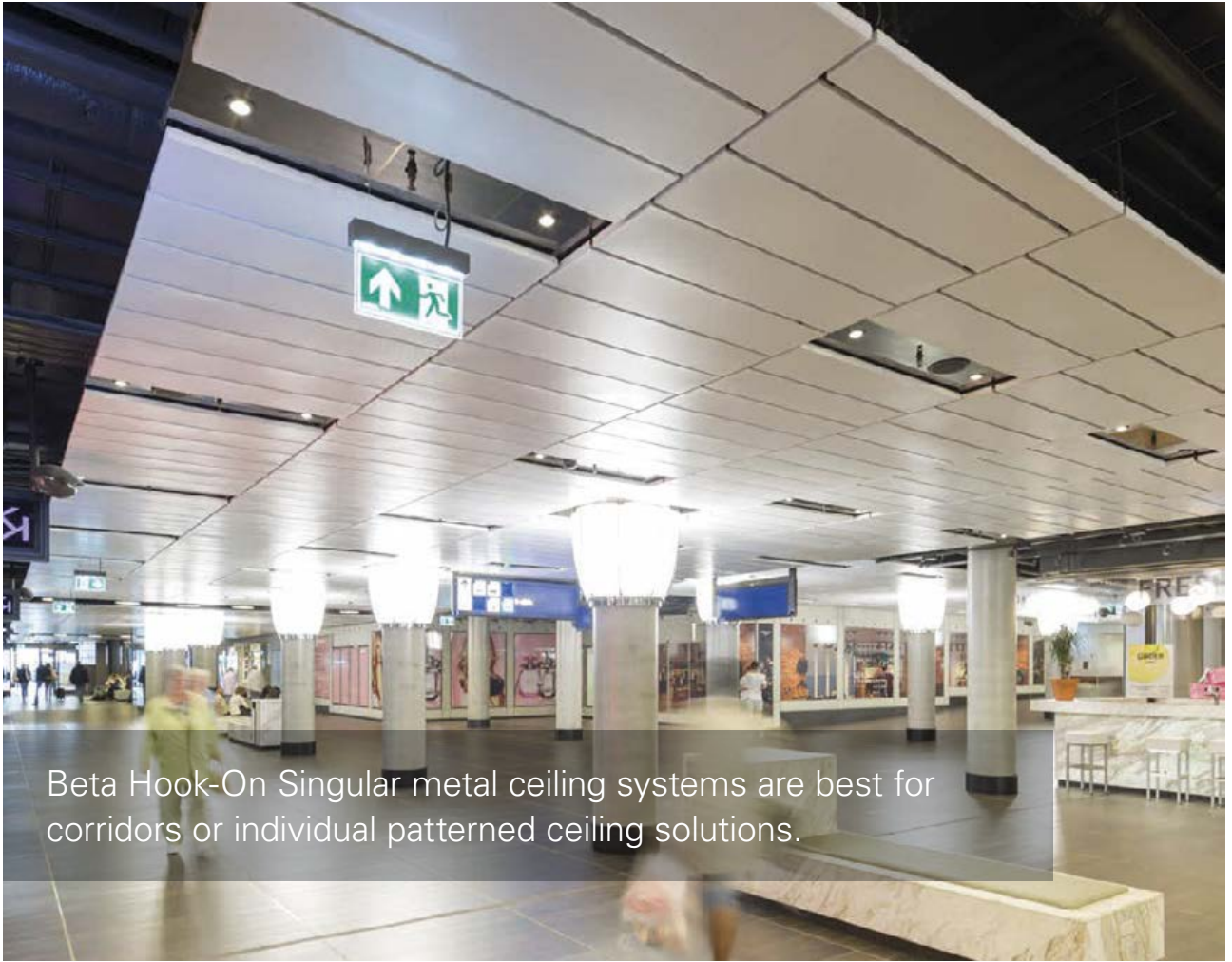
Object shows reflectivity of finish



Satin 7772C    Brushed 7774C    Bright 7776C    Mirror 7778C







Beta Hook-On Singular metal ceiling systems are best for corridors or individual patterned ceiling solutions.

*Project: Poortvrije Passages Amsterdam, The Netherlands - Product: Planks Beta A (Hook-On Singular) - Architect: Benthem Crouwel Architects / Powerhouse Company / Merk X*

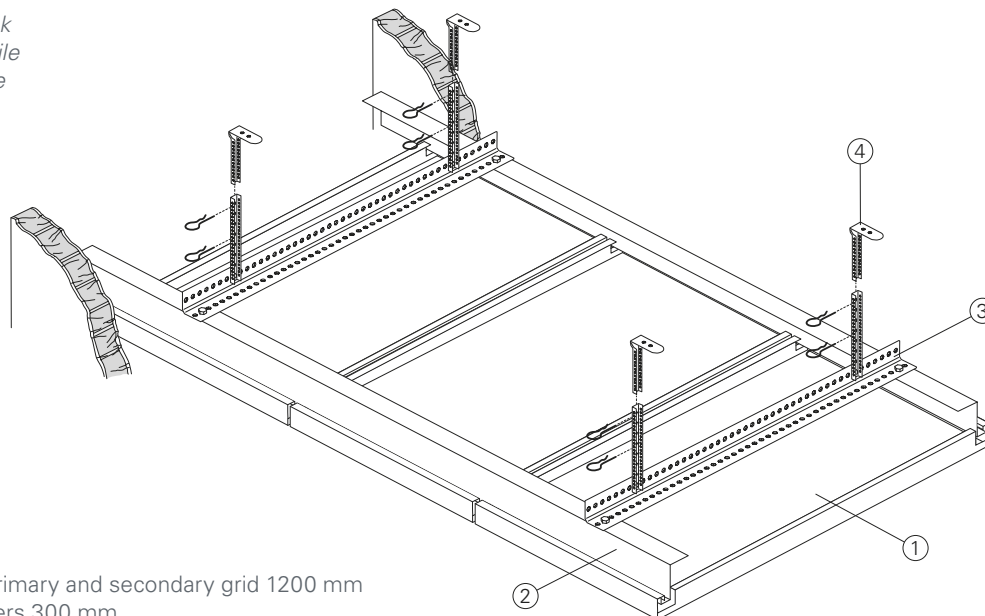
## KEY FEATURES

- Panel sizes:
  - minimum 300 x 520 mm
  - maximum 1050 x 2400 mm\*
- Square-edge design
- Perforated panels with non-woven tissue for acoustic control
- On site waste reduction with factory fabricated dimensional material
- Downweight: reduce static load with lightweight aluminum or steel
- Hook-on feature allows point-access and 100% access to plenum
- Compatible with industry standard lighting, HVAC, speaker, fire safety, and security services

*\*For large dimensions contact our sales unit*

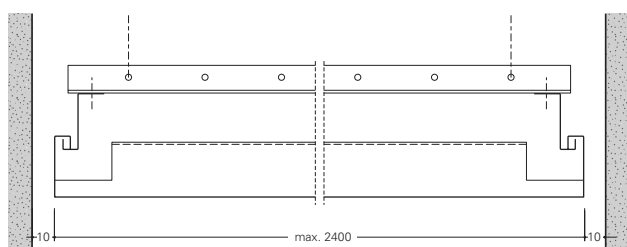
### TYPICAL ISOMETRICS

- 1 = Hook-On plank
- 2 = Hook-On profile
- 3 = Primary profile
- 4 = Suspension



Maximum spans primary and secondary grid 1200 mm  
 Maximum cantilevers 300 mm

### TYPICAL SECTIONS



### PERFORATION PATTERNS

Standard patterns shown. See page 350 for all perforation patterns.  
 Scale shown: 1:1, unless otherwise noted.

D1522 Ø 1.5 mm ⌈ 4 ⇔ 4	D2022 Ø 2 mm ⌈ 5 ⇔ 5	R1511 Ø 1.5 mm ⌈ 4 ⇔ 4	R2011 Ø 2 mm ⌈ 5 ⇔ 5	R2516 Ø 2.5 mm ⌈ 5.5 ⇔ 5.5
Openness 22%	Openness 22%	Openness 11%	Openness 11%	Openness 16%

### PHYSICAL DATA

**Substrate:** Steel or Aluminium  
**Fire rating:** Class A1 according EN 13501-1  
**Weight:** Varies 4.9 - 7.8 kg/m<sup>2</sup>  
**Light reflectance (LR) Coefficient:**  
 - Varies with finish  
 - RAL9010: LR = 0.81  
**Acoustic ratings:** α<sub>w</sub> 0.55-0.90: See page 352

**BIM**  
 REVIT files available for BIM contributions,  
 see website for details.

### LEED V4 CREDITS

- EA : Optimise Energy Performance
- MR : Building Product Disclosure
- EQ : Low-Emitting Materials
- EQ : Indoor Air Quality Assessment
- EQ : Daylight
- EQ : Acoustic Performance

### CERTIFICATIONS

TAIM QS  
 French VOC Regulation: Class A  
 EPD: Available upon request



**COLOURS AND FINISHES**

Hunter Douglas offers a wide choice of colours and finishes. Custom colour matching is available upon request. Please contact your local Hunter Douglas sales office for minimum quantities and lead times. See website for the most up to date information. Colours are for illustration purposes only.

**STANDARD PAINT COLOURS**



0181 RAL 9003    0106 RAL 9016    0280 RAL 9010    7163 RAL 9006

**CUSTOM COLOURS**



**DECORATED WOOD-LOOK OPTIONS**

Powder-coat paint finish (interior and exterior). Formaldehyde-free, Class A composite panel. This finish is recommended for exterior conditions.



Fonthill Cherry 8426    Walnut 8424    Amber Bamboo 8435    African Wenge 8944    Grey Barnwood Cedar 8437    Golden Douglas Fir 8436    American Oak 8439    Cajun Cypress 8442



Swamp Cypress 8444    Clipper Teak 8446    Windjammer Teak 8449    Douglas Fir 8452    Anigre 8453    Farm Maple 8458    Caravel Teak 8460    Regatta Teak 8461



Summer Maple 8465    Terrace Maple 8466    Red River Pecan 8467    Bayou Pecan 8468    Northwest Mountain Hemlock 8489    Whitewash 8498    Rustic Cherry 8939    Cherry 8942

**LAMINATED (FILM) WOOD OPTIONS**

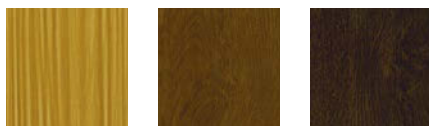
Pre-painted coil with a PVC film finish, for interior only.



Oak 8920    Maple 8921    Cherry 8922    Cypress 8925    Grey Cedar 8931    Teak 8923    Whitewash 8924    Walnut 8927

**COIL COATED WOOD-LOOK OPTIONS**

Coil-coated paint finishes are suitable for interior applications.



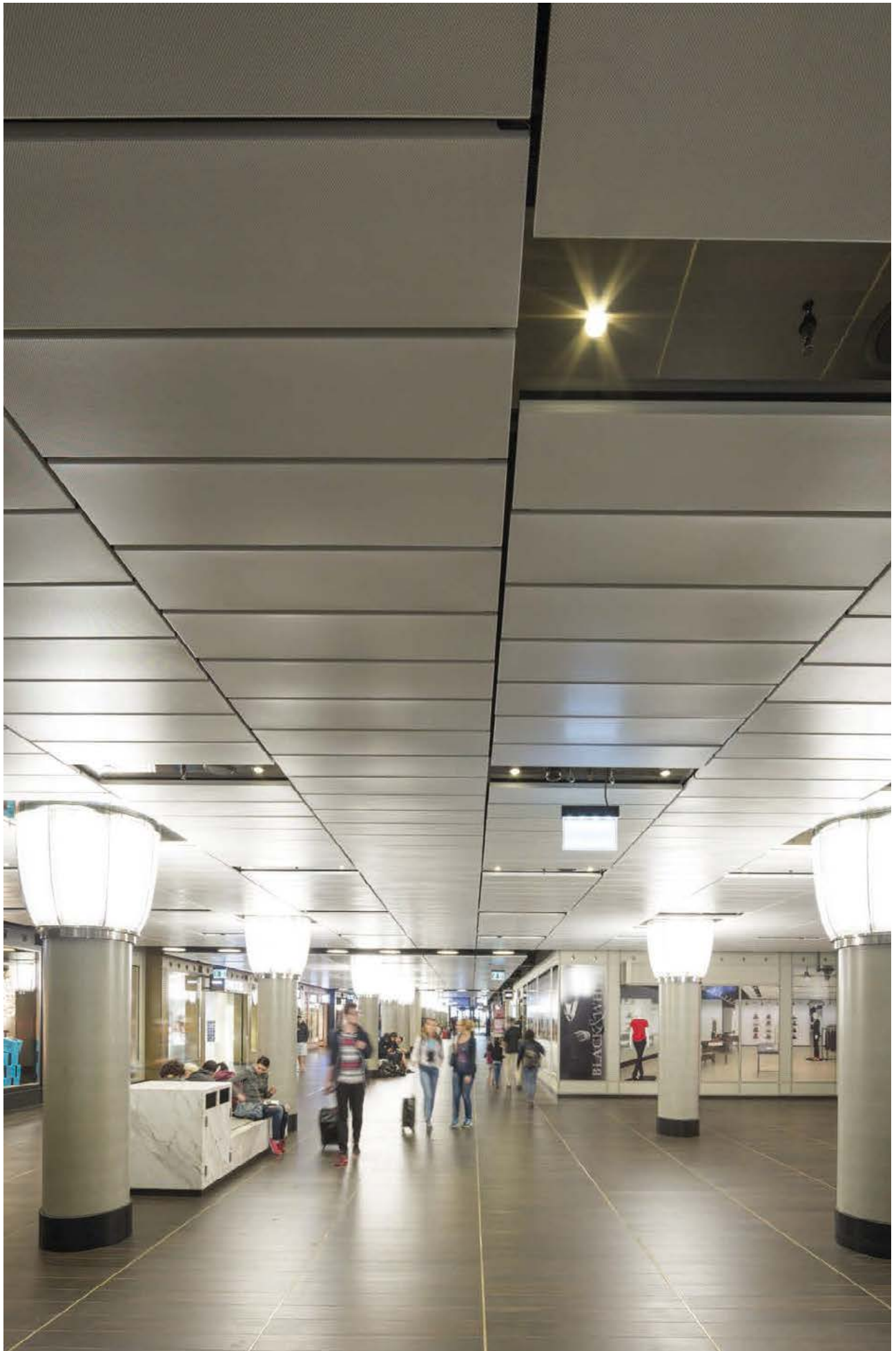
Cherry 8928    Teak 8929    Dark Walnut 8930

**STAINLESS STEEL OPTIONS**

Object shows reflectivity of finish

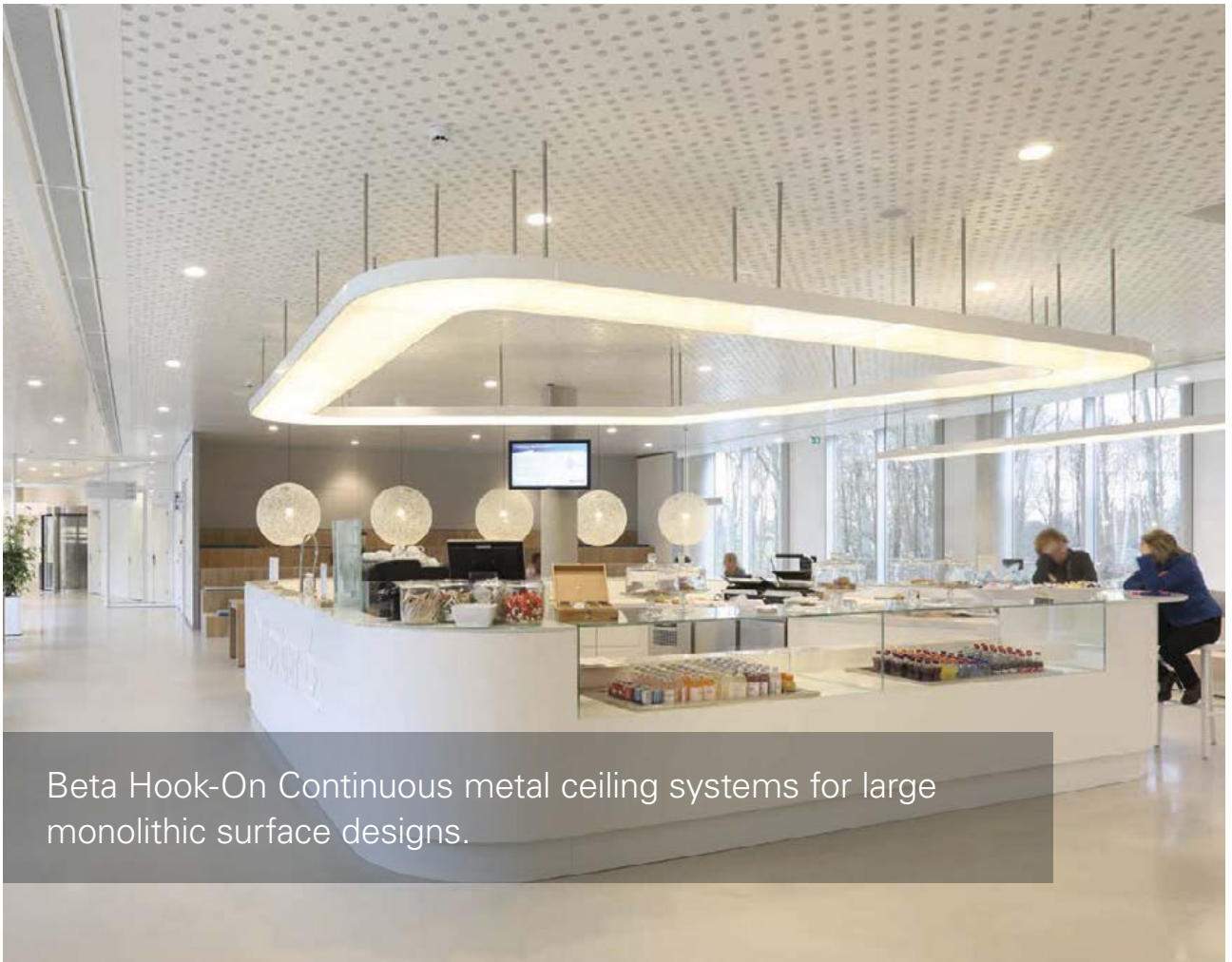


Satin 7772C    Brushed 7774C    Bright 7776C    Mirror 7778C



Project: Poortvrije Passages Amsterdam, The Netherlands; Hook-On panels - Architect: Benthem Crouwel Architects / Powerhouse Company / Merk X





Beta Hook-On Continuous metal ceiling systems for large monolithic surface designs.

*Project: Headquarter European Grid Manager, Arnhem, The Netherlands - Product: Planks Beta B (Hook-On Continuous) - Architect: Studio Groen + Schild*

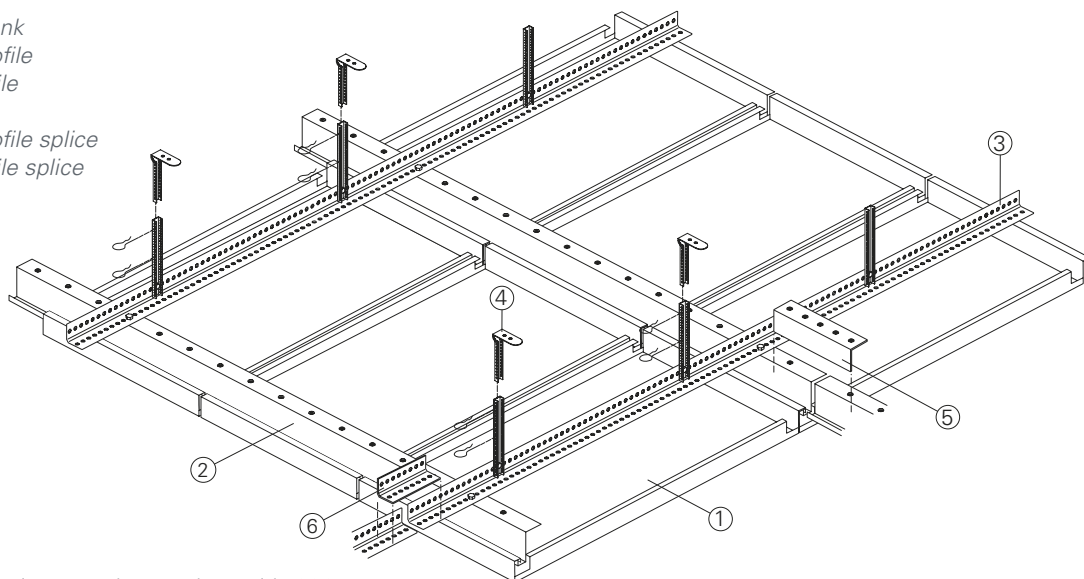
## KEY FEATURES

- Panel sizes:
  - minimum 300 x 520 mm
  - maximum 1050 x 2400 mm\*
- Square-edge design
- Perforated panels with non-woven tissue for acoustic control
- On site waste reduction with factory fabricated dimensional material
- Downweight: reduce static load with lightweight aluminum or steel
- Easy plenum access
- Compatible with industry standard lighting, HVAC, speaker, fire safety, and security services

*\*For large dimensions contact our sales unit*

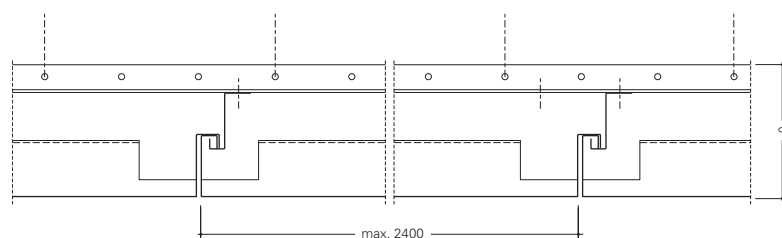
### TYPICAL ISOMETRICS

- 1 = Hook-On plank
- 2 = Hook-On profile
- 3 = Primary profile
- 4 = Suspension
- 5 = Hook-On profile splice
- 6 = Primary profile splice



Maximum spans primary and secondary grid 1200 mm  
 Maximum cantilevers 300 mm

### TYPICAL SECTIONS



### PERFORATION PATTERNS

Standard patterns shown. See page 350 for all perforation patterns.  
 Scale shown: 1:1, unless otherwise noted.

D1522 Ø 1.5 mm ⌈ 4 ⇔ 4	D2022 Ø 2 mm ⌈ 5 ⇔ 5	R1511 Ø 1.5 mm ⌈ 4 ⇔ 4	R2011 Ø 2 mm ⌈ 5 ⇔ 5	R2516 Ø 2.5 mm ⌈ 5.5 ⇔ 5.5
Openness 22%	Openness 22%	Openness 11%	Openness 11%	Openness 16%

### PHYSICAL DATA

**Substrate:** Steel or Aluminium  
**Fire rating:** Class A1 according EN 13501-1  
**Weight:** Varies 4.9 - 7.8 kg/m<sup>2</sup>  
**Light reflectance (LR) Coefficient:**  
 - Varies with finish  
 - RAL9010: LR = 0.81  
**Acoustic ratings:** α<sub>w</sub> 0.55-0.90: See page 352

**BIM**  
 REVIT files available for BIM contributions,  
 see website for details.

### LEED V4 CREDITS

- EA : Optimise Energy Performance
- MR : Building Product Disclosure
- EQ : Low-Emitting Materials
- EQ : Indoor Air Quality Assessment
- EQ : Daylight
- EQ : Acoustic Performance

### CERTIFICATIONS

TAIM QS  
 French VOC Regulation: Class A  
 EPD: Available upon request



**COLOURS AND FINISHES**

Hunter Douglas offers a wide choice of colours and finishes. Custom colour matching is available upon request. Please contact your local Hunter Douglas sales office for minimum quantities and lead times. See website for the most up to date information. Colours are for illustration purposes only.

**STANDARD PAINT COLOURS**



0181 RAL 9003    0106 RAL 9016    0280 RAL 9010    7163 RAL 9006

**CUSTOM COLOURS**



**DECORATED WOOD-LOOK OPTIONS**

Powder-coat paint finish (interior and exterior). Formaldehyde-free, Class A composite panel. This finish is recommended for exterior conditions.



Fonthill Cherry 8426    Walnut 8424    Amber Bamboo 8435    African Wenge 8944    Grey Barnwood Cedar 8437    Golden Douglas Fir 8436    American Oak 8439    Cajun Cypress 8442



Swamp Cypress 8444    Clipper Teak 8446    Windjammer Teak 8449    Douglas Fir 8452    Anigre 8453    Farm Maple 8458    Caravel Teak 8460    Regatta Teak 8461



Summer Maple 8465    Terrace Maple 8466    Red River Pecan 8467    Bayou Pecan 8468    Northwest Mountain Hemlock 8489    Whitewash 8498    Rustic Cherry 8939    Cherry 8942

**LAMINATED (FILM) WOOD OPTIONS**

Pre-painted coil with a PVC film finish, for interior only.



Oak 8920    Maple 8921    Cherry 8922    Cypress 8925    Grey Cedar 8931    Teak 8923    Whitewash 8924    Walnut 8927

**COIL COATED WOOD-LOOK OPTIONS**

Coil-coated paint finishes are suitable for interior applications.



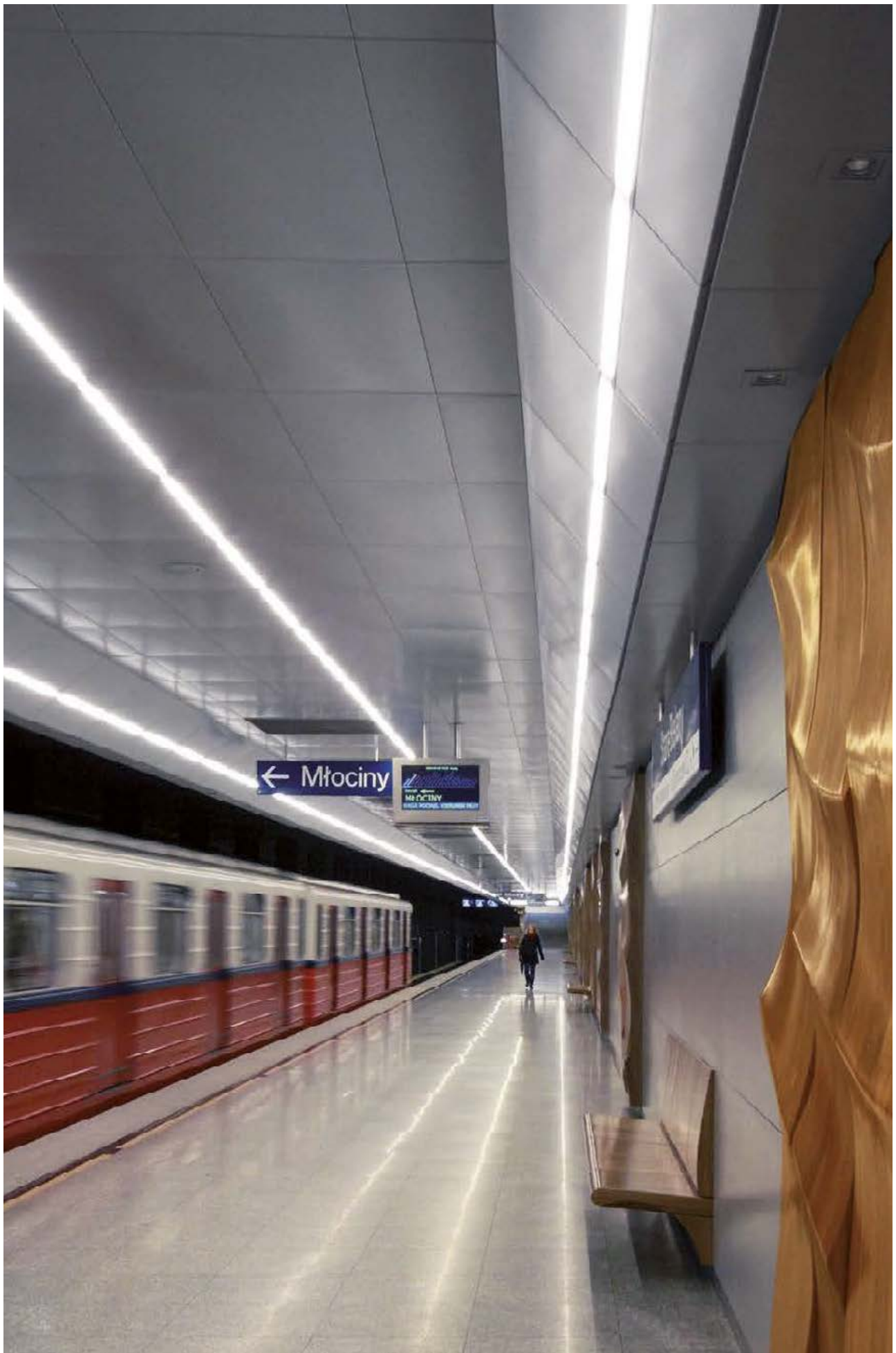
Cherry 8928    Teak 8929    Dark Walnut 8930

**STAINLESS STEEL OPTIONS**

Object shows reflectivity of finish

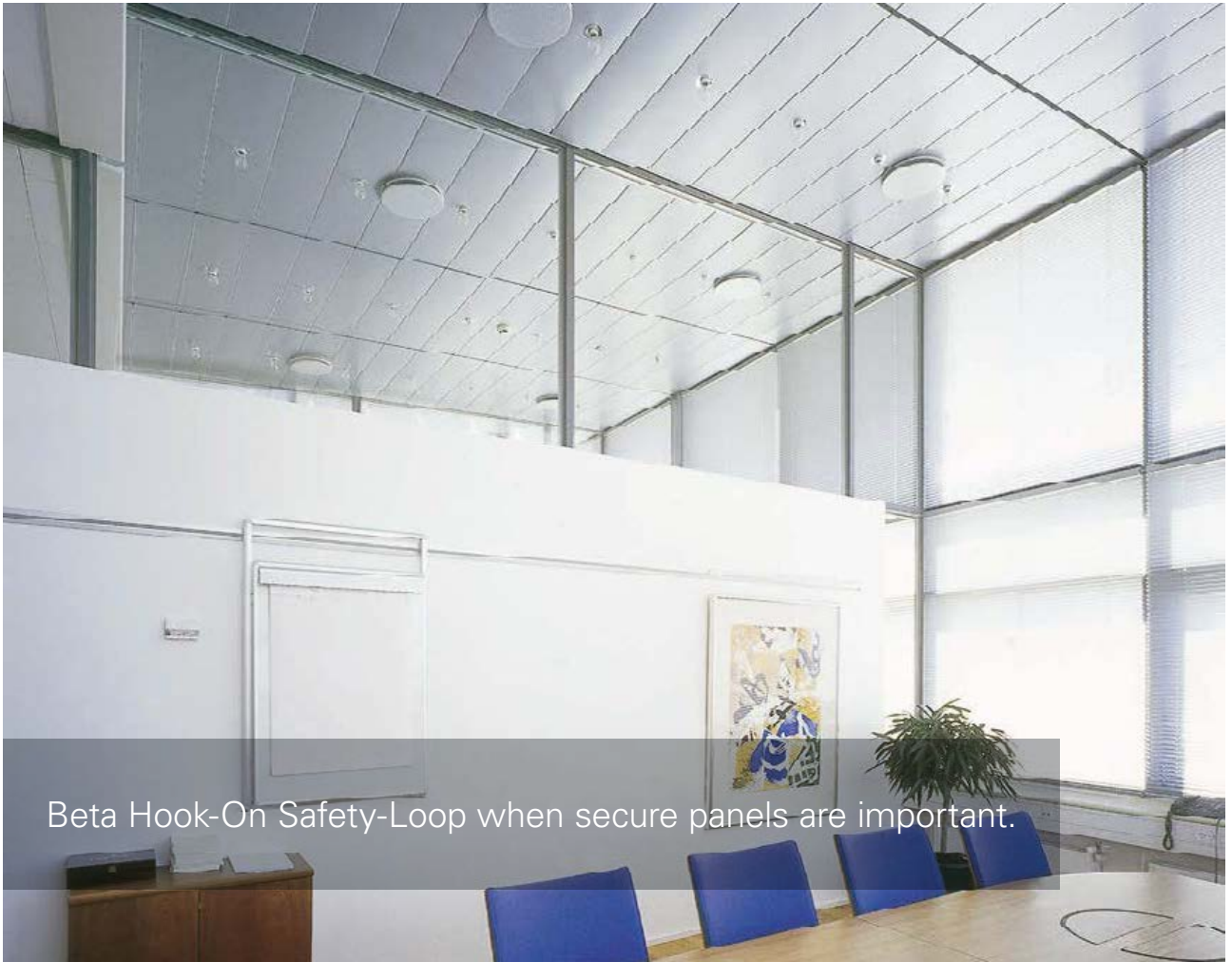


Satin 7772C    Brushed 7774C    Bright 7776C    Mirror 7778C



Project: Stare Bielany Metro Station, Warsaw, Poland - Product: Planks Beta B (Hook-On Continuous)





Beta Hook-On Safety-Loop when secure panels are important.

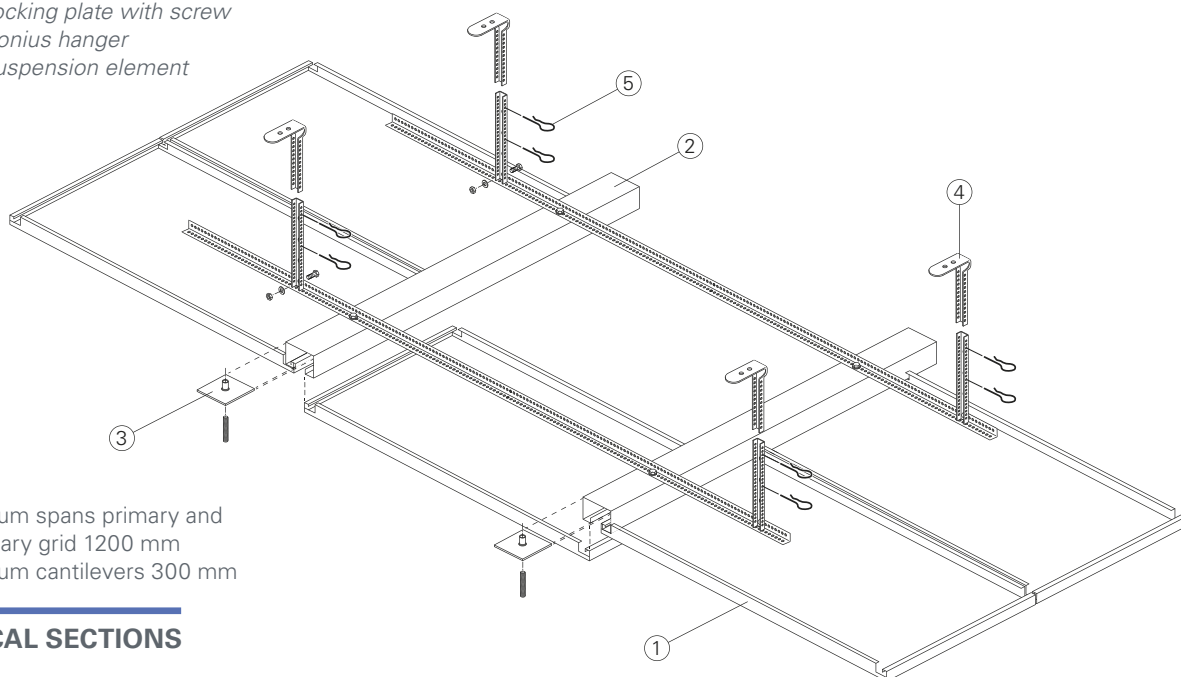
## KEY FEATURES

- Panel sizes:
  - minimum 300 x 520 mm
  - maximum 1050 x 2400 mm\*
- Square-edge design
- Perforated panels with non-woven tissue for acoustic control
- On site waste reduction with factory fabricated dimensional material
- Downweight: reduce static load with lightweight aluminum or steel
- Safety-Loop feature allows point-access and 100% access to plenum
- Compatible with industry standard lighting, HVAC, speaker, fire safety, and security services

*\*For large dimensions contact our sales unit*

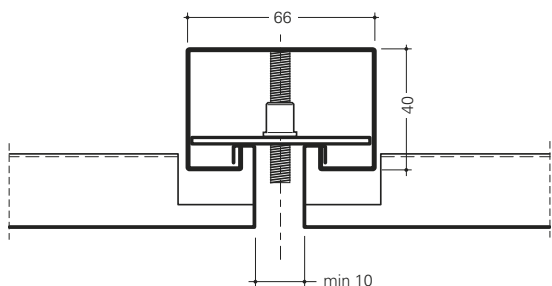
**TYPICAL ISOMETRICS**

- 1 = Hook-On plank
- 2 = Safety-Loop profile
- 3 = Locking plate with screw
- 4 = Nonius hanger
- 5 = Suspension element



Maximum spans primary and secondary grid 1200 mm  
 Maximum cantilevers 300 mm

**TYPICAL SECTIONS**



**PERFORATION PATTERNS**

Standard patterns shown. See page 350 for all perforation patterns.  
 Scale shown: 1:1, unless otherwise noted.

D1522 Ø 1.5 mm ⌈ 4 ⇔ 4	D2022 Ø 2 mm ⌈ 5 ⇔ 5	R1511 Ø 1.5 mm ⌈ 4 ⇔ 4	R2011 Ø 2 mm ⌈ 5 ⇔ 5	R2516 Ø 2.5 mm ⌈ 5.5 ⇔ 5.5
Openness 22%	Openness 22%	Openness 11%	Openness 11%	Openness 16%

**PHYSICAL DATA**

**Substrate:** Steel or Aluminium  
**Fire rating:** Class A1 according EN 13501-1  
**Weight:** Varies 4.9 - 7.8 kg/m<sup>2</sup>  
**Light reflectance (LR) Coefficient:**  
 - Varies with finish  
 - RAL9010: LR = 0.81  
**Acoustic ratings:** α<sub>w</sub> 0.55-0.90: See page 352

**BIM**  
 REVIT files available for BIM contributions,  
 see website for details.

**LEED V4 CREDITS**

- EA : Optimise Energy Performance
- MR : Building Product Disclosure
- EQ : Low-Emitting Materials
- EQ : Indoor Air Quality Assessment
- EQ : Daylight
- EQ : Acoustic Performance

**CERTIFICATIONS**

TAIM QS  
 French VOC Regulation: Class A  
 EPD: Available upon request



**COLOURS AND FINISHES**

Hunter Douglas offers a wide choice of colours and finishes. Custom colour matching is available upon request. Please contact your local Hunter Douglas sales office for minimum quantities and lead times. See website for the most up to date information. Colours are for illustration purposes only.

**STANDARD PAINT COLOURS**



0181 RAL 9003    0106 RAL 9016    0280 RAL 9010    7163 RAL 9006

**CUSTOM COLOURS**



**DECORATED WOOD-LOOK OPTIONS**

Powder-coat paint finish (interior and exterior). Formaldehyde-free, Class A composite panel. This finish is recommended for exterior conditions.



Fonthill Cherry 8426    Walnut 8424    Amber Bamboo 8435    African Wenge 8944    Grey Barnwood Cedar 8437    Golden Douglas Fir 8436    American Oak 8439    Cajun Cypress 8442



Swamp Cypress 8444    Clipper Teak 8446    Windjammer Teak 8449    Douglas Fir 8452    Anigre 8453    Farm Maple 8458    Caravel Teak 8460    Regatta Teak 8461



Summer Maple 8465    Terrace Maple 8466    Red River Pecan 8467    Bayou Pecan 8468    Northwest Mountain Hemlock 8489    Whitewash 8498    Rustic Cherry 8939    Cherry 8942

**LAMINATED (FILM) WOOD OPTIONS**

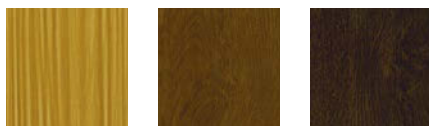
Pre-painted coil with a PVC film finish, for interior only.



Oak 8920    Maple 8921    Cherry 8922    Cypress 8925    Grey Cedar 8931    Teak 8923    Whitewash 8924    Walnut 8927

**COIL COATED WOOD-LOOK OPTIONS**

Coil-coated paint finishes are suitable for interior applications.



Cherry 8928    Teak 8929    Dark Walnut 8930

**STAINLESS STEEL OPTIONS**

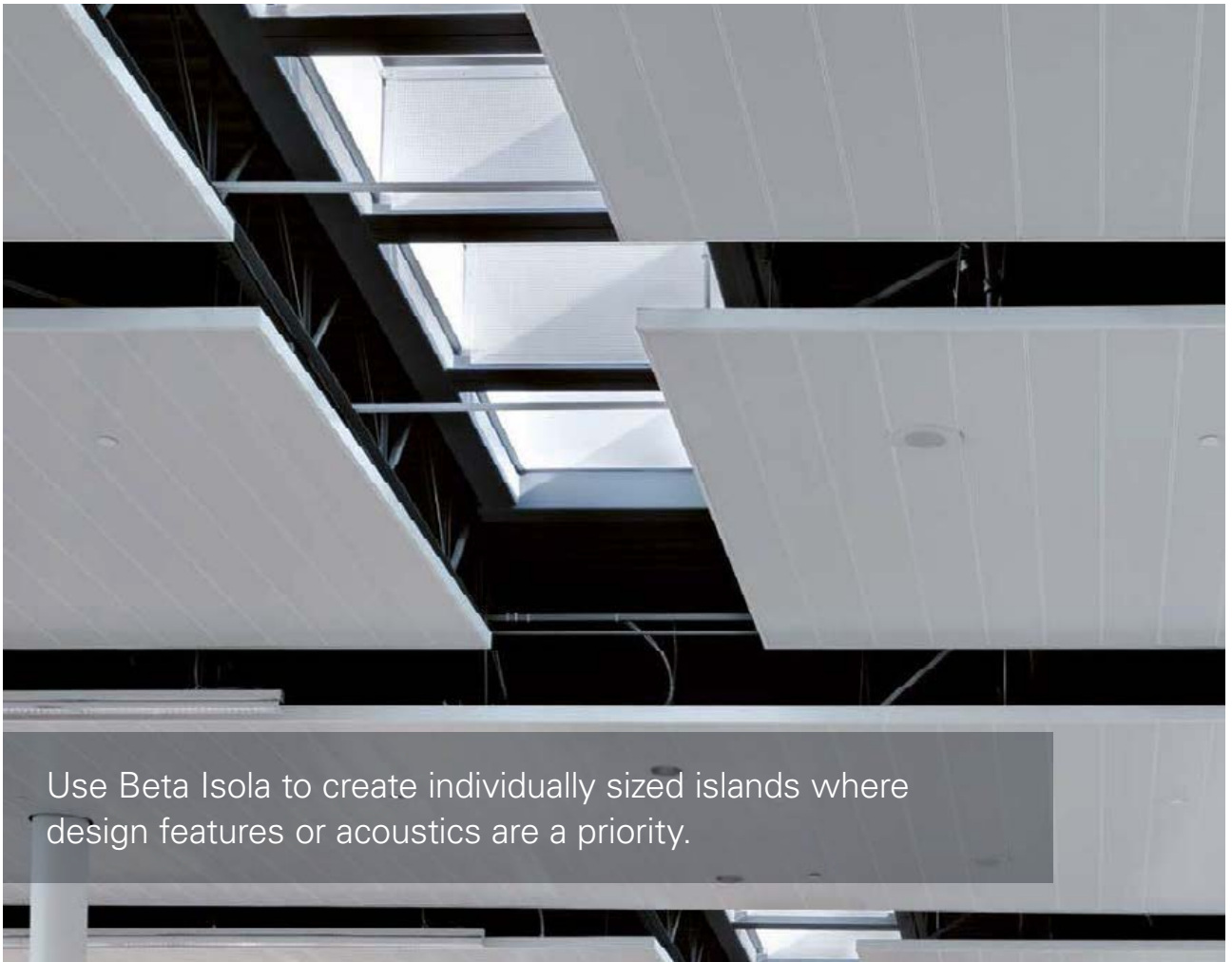
Object shows reflectivity of finish



Satin 7772C    Brushed 7774C    Bright 7776C    Mirror 7778C







Use Beta Isola to create individually sized islands where design features or acoustics are a priority.

*Project: Indianapolis Airport, Indianapolis, North America, USA - Product: Planks Beta (Isola) - Architect: AeroDesign Group and HOK*

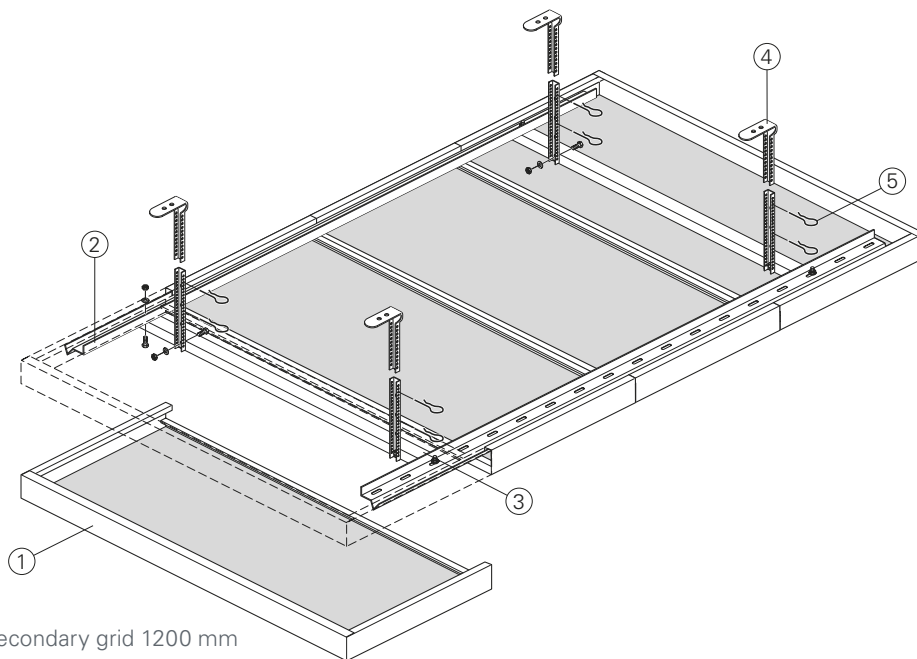
## KEY FEATURES

- Panel sizes:
  - minimum 300 x 520 mm
  - maximum 600 x 2000 mm \*
- Square-edge design
- Perforated panels with non-woven tissue for acoustic control
- On site waste reduction with factory fabricated dimensional material
- Downweight: reduce static load with lightweight aluminum or steel
- Hook-on feature allows point-access and 100% access to plenum
- Compatible with industry standard lighting, HVAC, speaker, fire safety, and security services

*\*Other dimensions on request*

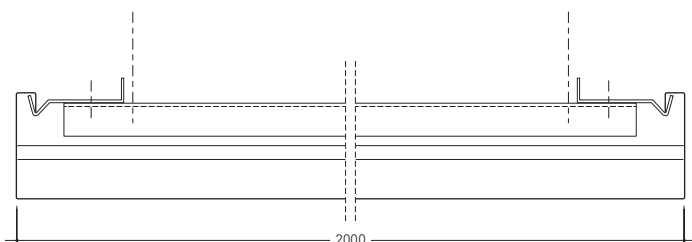
**TYPICAL ISOMETRICS**

- 1 = Beta Isola plank
- 2 = Hook-On profile
- 3 = Primary profile
- 4 = Suspension
- 5 = Locking clips



Maximum spans primary and secondary grid 1200 mm  
 Maximum cantilevers 300 mm

**TYPICAL SECTIONS**



**PERFORATION PATTERNS**

Standard patterns shown. See page 350 for all perforation patterns.  
 Scale shown: 1:1, unless otherwise noted.

D1522 Ø 1.5 mm ⌈ 4 ⇔ 4	D2022 Ø 2 mm ⌈ 5 ⇔ 5	R1511 Ø 1.5 mm ⌈ 4 ⇔ 4	R2011 Ø 2 mm ⌈ 5 ⇔ 5	R2516 Ø 2.5 mm ⌈ 5.5 ⇔ 5.5
Openness 22%	Openness 22%	Openness 11%	Openness 11%	Openness 16%

**PHYSICAL DATA**

**Substrate:** Steel or Aluminium  
**Fire rating:** Class A1 according EN 13501-1  
**Weight:** Varies 4.9 - 7.8 kg/m<sup>2</sup>  
**Light reflectance (LR) Coefficient:**  
 - Varies with finish  
 - RAL9010: LR = 0.81  
**Acoustic ratings:** α<sub>w</sub> 0.55-0.90: See page 352

**BIM**  
 REVIT files available for BIM contributions,  
 see website for details.

**LEED V4 CREDITS**

- EA : Optimise Energy Performance
- MR : Building Product Disclosure
- EQ : Low-Emitting Materials
- EQ : Indoor Air Quality Assessment
- EQ : Daylight
- EQ : Acoustic Performance

**CERTIFICATIONS**

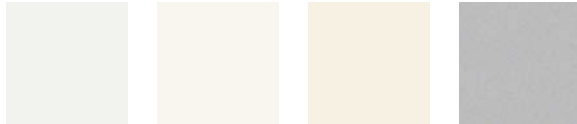
TAIM QS  
 French VOC Regulation: Class A  
 EPD: Available upon request



**COLOURS AND FINISHES**

Hunter Douglas offers a wide choice of colours and finishes. Custom colour matching is available upon request. Please contact your local Hunter Douglas sales office for minimum quantities and lead times. See website for the most up to date information. Colours are for illustration purposes only.

**STANDARD PAINT COLOURS**



0181 RAL 9003    0106 RAL 9016    0280 RAL 9010    7163 RAL 9006

**CUSTOM COLOURS**



**DECORATED WOOD-LOOK OPTIONS**

Powder-coat paint finish (interior and exterior). Formaldehyde-free, Class A composite panel. This finish is recommended for exterior conditions.



Fonthill Cherry 8426    Walnut 8424    Amber Bamboo 8435    African Wenge 8944    Grey Barnwood Cedar 8437    Golden Douglas Fir 8436    American Oak 8439    Cajun Cypress 8442



Swamp Cypress 8444    Clipper Teak 8446    Windjammer Teak 8449    Douglas Fir 8452    Anigre 8453    Farm Maple 8458    Caravel Teak 8460    Regatta Teak 8461



Summer Maple 8465    Terrace Maple 8466    Red River Pecan 8467    Bayou Pecan 8468    Northwest Mountain Hemlock 8489    Whitewash 8498    Rustic Cherry 8939    Cherry 8942

**LAMINATED (FILM) WOOD OPTIONS**

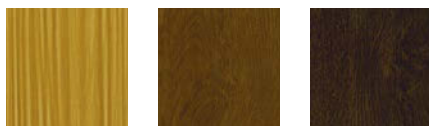
Pre-painted coil with a PVC film finish, for interior only.



Oak 8920    Maple 8921    Cherry 8922    Cypress 8925    Grey Cedar 8931    Teak 8923    Whitewash 8924    Walnut 8927

**COIL COATED WOOD-LOOK OPTIONS**

Coil-coated paint finishes are suitable for interior applications.



Cherry 8928    Teak 8929    Dark Walnut 8930

**STAINLESS STEEL OPTIONS**

Object shows reflectivity of finish

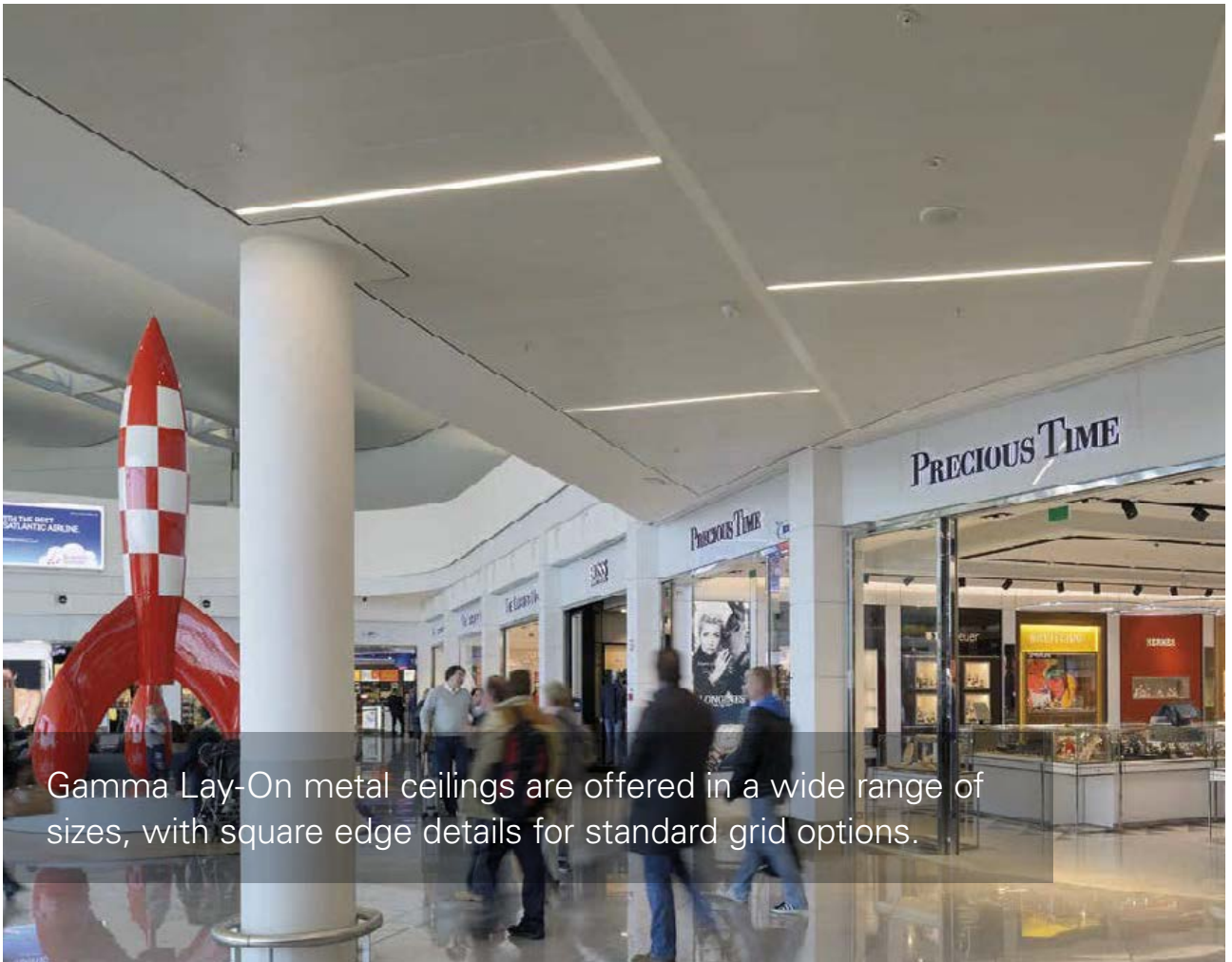


Satin 7772C    Brushed 7774C    Bright 7776C    Mirror 7778C



Project: Indianapolis Airport, Indianapolis, North America, USA - Product: Planks Beta (Isola) - Architect: AeroDesign Group and HOK





Gamma Lay-On metal ceilings are offered in a wide range of sizes, with square edge details for standard grid options.

Project: Brussels Airport Connector, Brussels, Belgium - Product: Planks Gamma (Lay-On planks) - Architect: Chapman Taylor Benelux

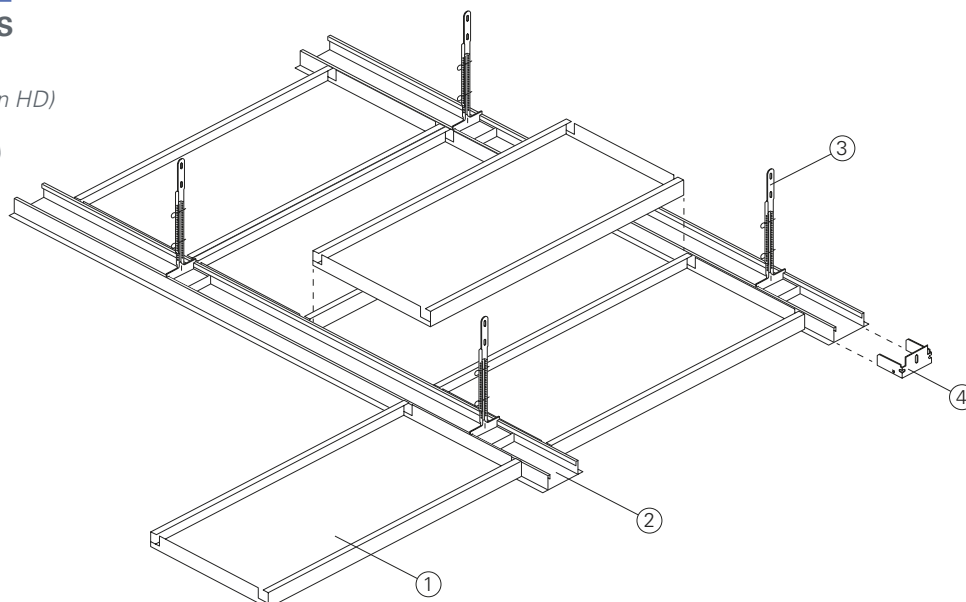
## KEY FEATURES

- Panel sizes:
  - minimum 300 x 520 mm
  - maximum 1050 x 2400 mm\*
- Square-edge design
- Perforated panels with non-woven tissue for acoustic control
- On site waste reduction with factory fabricated dimensional material
- Downweight: reduce static load with lightweight steel or aluminium
- Easy installation - no fasteners/tools required
- Compatible with industry standard lighting, HVAC, speaker, fire safety, and security services

\*For large dimensions contact our sales unit

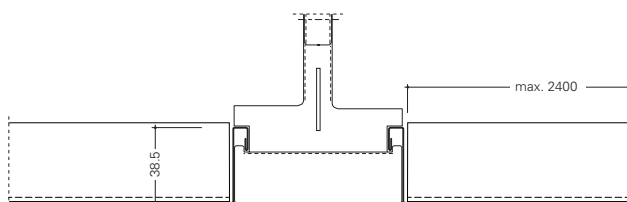
**TYPICAL ISOMETRICS**

- 1 = Lay-On Plank
- 2 = Bandraaster profile (non HD)
- 3 = Suspension (non HD)
- 4 = Wall bracket (non HD)



Maximum spans primary and secondary grid 1200 mm  
 Maximum cantilevers 300 mm

**TYPICAL SECTIONS**



**PERFORATION PATTERNS**

Standard patterns shown. See page 350 for all perforation patterns.  
 Scale shown: 1:1, unless otherwise noted.

D1522 Ø 1.5 mm ⌈ 4 ⇔ 4	D2022 Ø 2 mm ⌈ 5 ⇔ 5	R1511 Ø 1.5 mm ⌈ 4 ⇔ 4	R2011 Ø 2 mm ⌈ 5 ⇔ 5	R2516 Ø 2.5 mm ⌈ 5.5 ⇔ 5.5
Openness 22%	Openness 22%	Openness 11%	Openness 11%	Openness 16%

**PHYSICAL DATA**

**Substrate:** Steel or Aluminium  
**Fire rating:** Class A1 according EN 13501-1  
**Weight:** Varies 4.9 - 7.8 kg/m<sup>2</sup>  
**Light reflectance (LR) Coefficient:**  
 - Varies with finish  
 - RAL9010: LR = 0.81  
**Acoustic ratings:** α<sub>w</sub> 0.55-0.90: See page 352

**BIM**  
 REVIT files available for BIM contributions,  
 see website for details.

**LEED V4 CREDITS**

- EA : Optimise Energy Performance
- MR : Building Product Disclosure
- EQ : Low-Emitting Materials
- EQ : Indoor Air Quality Assessment
- EQ : Daylight
- EQ : Acoustic Performance

**CERTIFICATIONS**

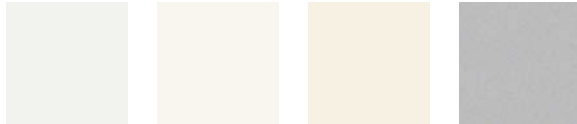
TAIM QS  
 French VOC Regulation: Class A  
 EPD: Available upon request



**COLOURS AND FINISHES**

Hunter Douglas offers a wide choice of colours and finishes. Custom colour matching is available upon request. Please contact your local Hunter Douglas sales office for minimum quantities and lead times. See website for the most up to date information. Colours are for illustration purposes only.

**STANDARD PAINT COLOURS**



0181 RAL 9003    0106 RAL 9016    0280 RAL 9010    7163 RAL 9006

**CUSTOM COLOURS**



**DECORATED WOOD-LOOK OPTIONS**

Powder-coat paint finish (interior and exterior). Formaldehyde-free, Class A composite panel. This finish is recommended for exterior conditions.



Fonthill Cherry 8426    Walnut 8424    Amber Bamboo 8435    African Wenge 8944    Grey Barnwood Cedar 8437    Golden Douglas Fir 8436    American Oak 8439    Cajun Cypress 8442



Swamp Cypress 8444    Clipper Teak 8446    Windjammer Teak 8449    Douglas Fir 8452    Anigre 8453    Farm Maple 8458    Caravel Teak 8460    Regatta Teak 8461



Summer Maple 8465    Terrace Maple 8466    Red River Pecan 8467    Bayou Pecan 8468    Northwest Mountain Hemlock 8489    Whitewash 8498    Rustic Cherry 8939    Cherry 8942

**LAMINATED (FILM) WOOD OPTIONS**

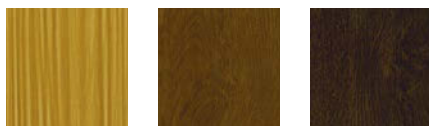
Pre-painted coil with a PVC film finish, for interior only.



Oak 8920    Maple 8921    Cherry 8922    Cypress 8925    Grey Cedar 8931    Teak 8923    Whitewash 8924    Walnut 8927

**COIL COATED WOOD-LOOK OPTIONS**

Coil-coated paint finishes are suitable for interior applications.



Cherry 8928    Teak 8929    Dark Walnut 8930

**STAINLESS STEEL OPTIONS**

Object shows reflectivity of finish

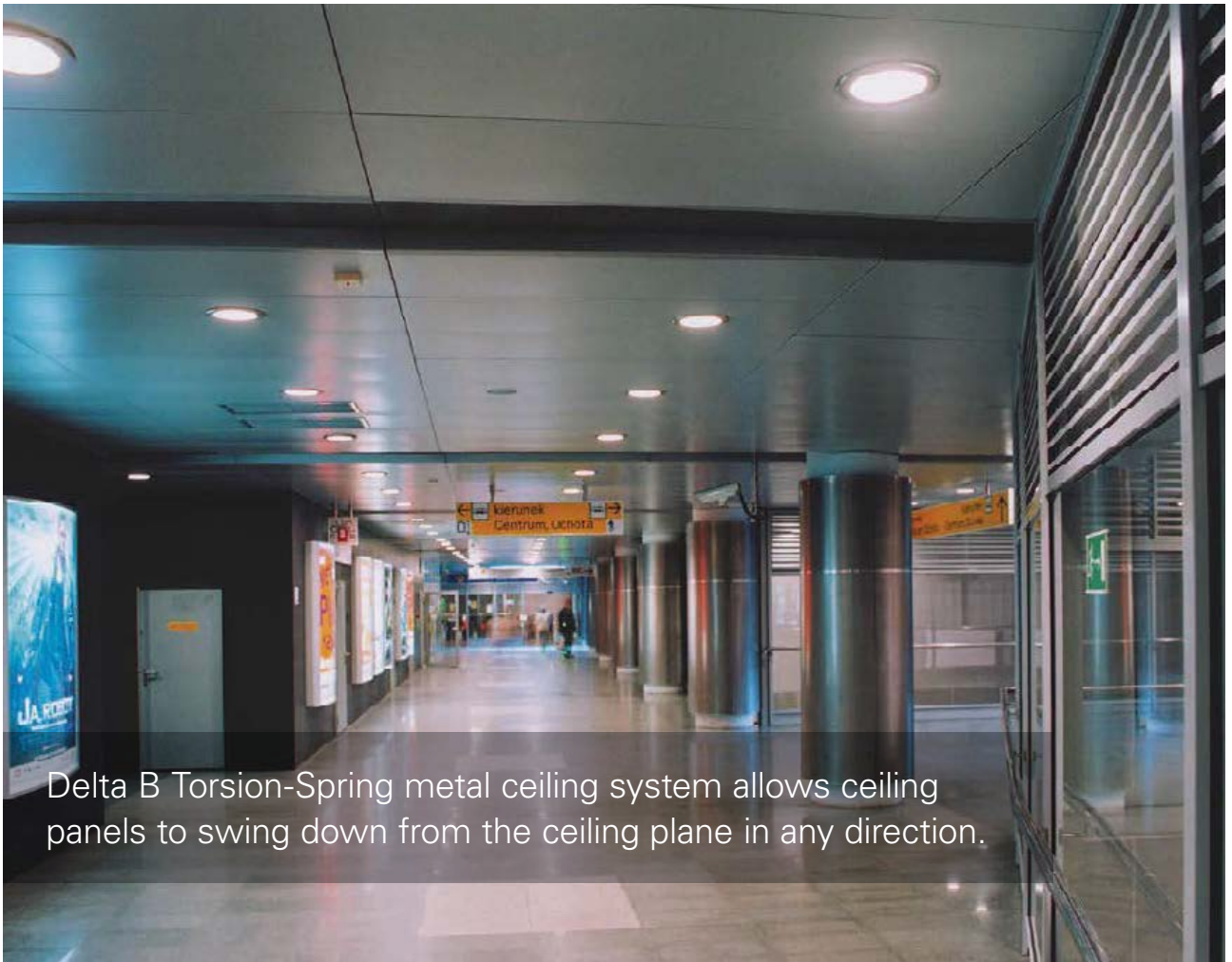


Satin 7772C    Brushed 7774C    Bright 7776C    Mirror 7778C



Project: Sint-Vincentius GZA Ziekenhuizen, Berchem, Belgium - Product: Planks Gamma (Lay-On planks) - Architect: Architectenbureau De Vloed





Delta B Torsion-Spring metal ceiling system allows ceiling panels to swing down from the ceiling plane in any direction.

*Project: Gdanska underground station, Warsaw, Poland - Product: Planks Delta B (Torsion-Spring Continuous) - Architect: APA Kuryłowicz*

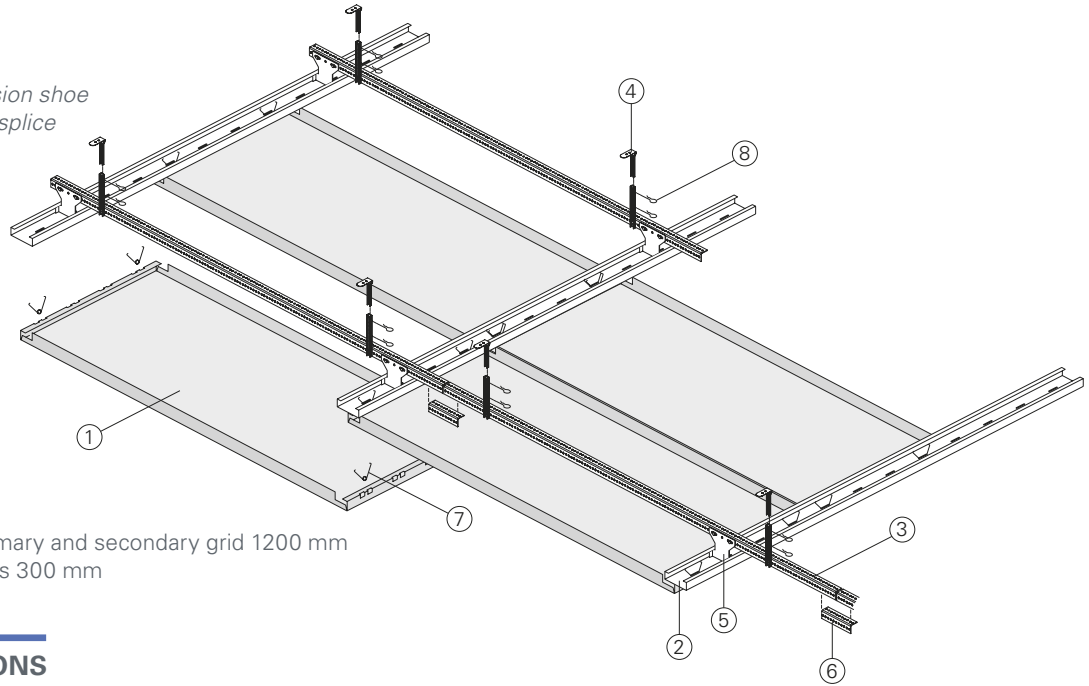
## KEY FEATURES

- Panel sizes:
  - minimum 300 x 520 mm
  - maximum 1050 x 2400 mm\*
- Torsion-Spring feature allows point-access and 100% access to plenum
- Square-edge design
- Perforated panels with non-woven tissue for acoustic control
- On site waste reduction with factory fabricated dimensional material
- Downweight: reduce static load with lightweight aluminum or steel
- Easy plenum access
- Compatible with industry standard lighting, HVAC, speaker, fire safety, and security services

*\*For large dimensions contact our sales unit*

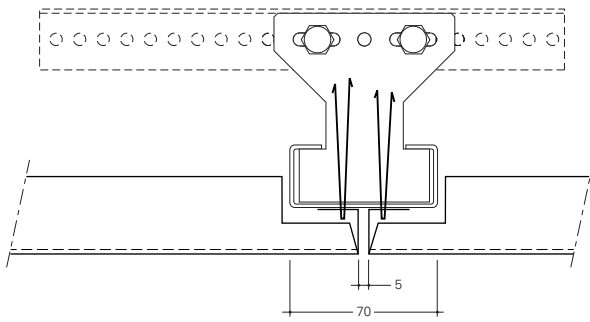
**TYPICAL ISOMETRICS**

- 1 = Delta B plank
- 2 = C-Grid profile
- 3 = Primary profile
- 4 = Nonius hanger
- 5 = C-Grid suspension shoe
- 6 = Primary profile splice
- 7 = Torsion-Spring
- 8 = Locking clips



Maximum spans primary and secondary grid 1200 mm  
 Maximum cantilevers 300 mm

**TYPICAL SECTIONS**



**PERFORATION PATTERNS**

Standard patterns shown. See page 350 for all perforation patterns.  
 Scale shown: 1:1, unless otherwise noted.

D1522 Ø 1.5 mm ⌈ 4 ⇔ 4	D2022 Ø 2 mm ⌈ 5 ⇔ 5	R1511 Ø 1.5 mm ⌈ 4 ⇔ 4	R2011 Ø 2 mm ⌈ 5 ⇔ 5	R2516 Ø 2.5 mm ⌈ 5.5 ⇔ 5.5
Openness 22%	Openness 22%	Openness 11%	Openness 11%	Openness 16%

**PHYSICAL DATA**

**Substrate:** Steel or Aluminium  
**Fire rating:** Class A1 according EN 13501-1  
**Weight:** Varies 4.9 - 7.8 kg/m<sup>2</sup>  
**Light reflectance (LR) Coefficient:**  
 - Varies with finish  
 - RAL9010: LR = 0.81  
**Acoustic ratings:** α<sub>w</sub> 0.55-0.90: See page 352

**BIM**  
 REVIT files available for BIM contributions,  
 see website for details.

**LEED V4 CREDITS**

- EA : Optimise Energy Performance
- MR : Building Product Disclosure
- EQ : Low-Emitting Materials
- EQ : Indoor Air Quality Assessment
- EQ : Daylight
- EQ : Acoustic Performance

**CERTIFICATIONS**

TAIM QS  
 French VOC Regulation: Class A  
 EPD: Available upon request



**COLOURS AND FINISHES**

Hunter Douglas offers a wide choice of colours and finishes. Custom colour matching is available upon request. Please contact your local Hunter Douglas sales office for minimum quantities and lead times. See website for the most up to date information. Colours are for illustration purposes only.

**STANDARD PAINT COLOURS**



0181 RAL 9003    0106 RAL 9016    0280 RAL 9010    7163 RAL 9006

**CUSTOM COLOURS**



**DECORATED WOOD-LOOK OPTIONS**

Powder-coat paint finish (interior and exterior). Formaldehyde-free, Class A composite panel. This finish is recommended for exterior conditions.



Fonthill Cherry 8426    Walnut 8424    Amber Bamboo 8435    African Wenge 8944    Grey Barnwood Cedar 8437    Golden Douglas Fir 8436    American Oak 8439    Cajun Cypress 8442



Swamp Cypress 8444    Clipper Teak 8446    Windjammer Teak 8449    Douglas Fir 8452    Anigre 8453    Farm Maple 8458    Caravel Teak 8460    Regatta Teak 8461



Summer Maple 8465    Terrace Maple 8466    Red River Pecan 8467    Bayou Pecan 8468    Northwest Mountain Hemlock 8489    Whitewash 8498    Rustic Cherry 8939    Cherry 8942

**LAMINATED (FILM) WOOD OPTIONS**

Pre-painted coil with a PVC film finish, for interior only.



Oak 8920    Maple 8921    Cherry 8922    Cypress 8925    Grey Cedar 8931    Teak 8923    Whitewash 8924    Walnut 8927

**COIL COATED WOOD-LOOK OPTIONS**

Coil-coated paint finishes are suitable for interior applications.



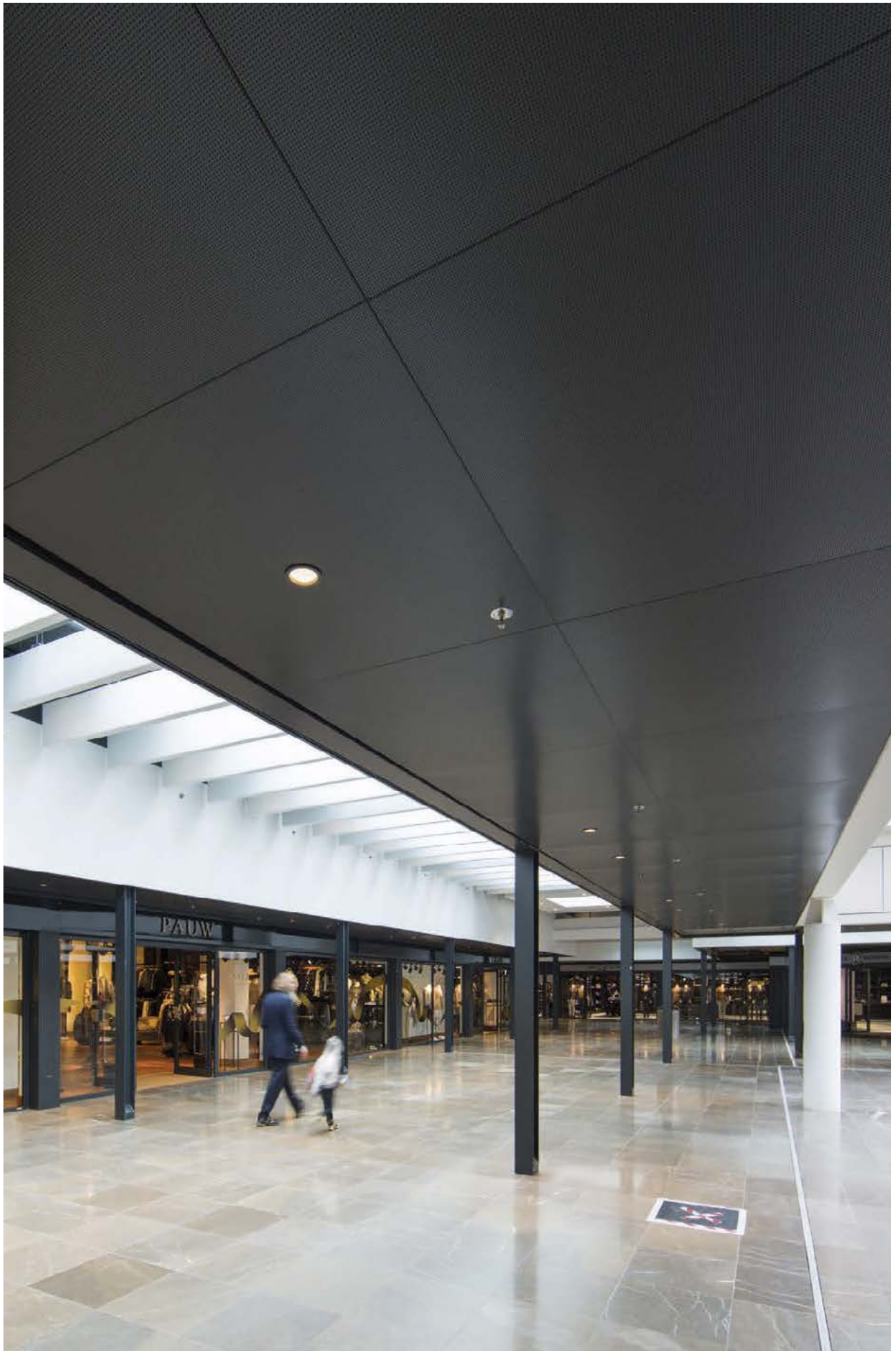
Cherry 8928    Teak 8929    Dark Walnut 8930

**STAINLESS STEEL OPTIONS**

Object shows reflectivity of finish

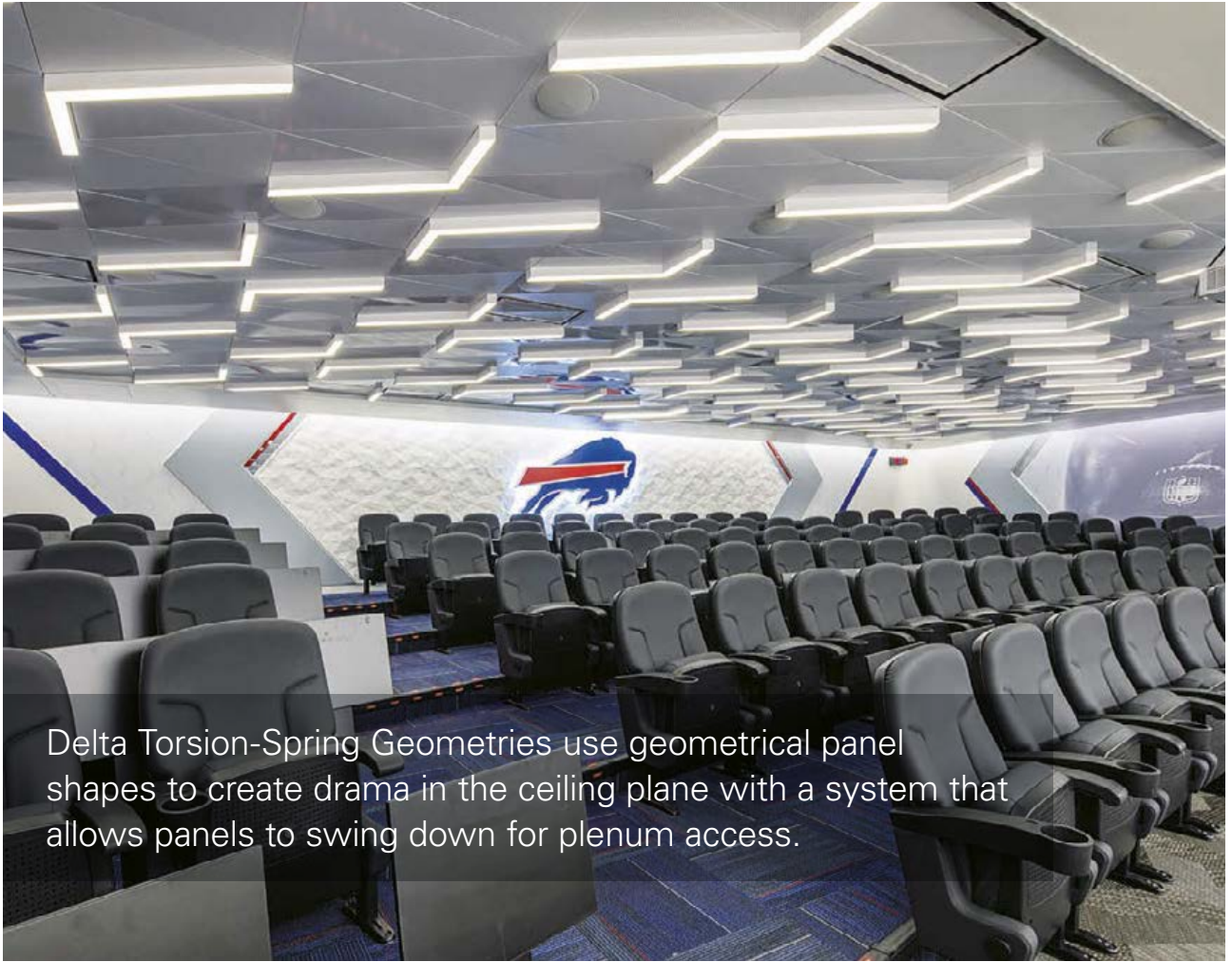


Satin 7772C    Brushed 7774C    Bright 7776C    Mirror 7778C



Project: Shopping Center Gelderlandplein, Amsterdam, the Netherlands - Product: Planks Delta B (Torsion-Spring Continuous) - Architect: Rijnbout





Delta Torsion-Spring Geometries use geometrical panel shapes to create drama in the ceiling plane with a system that allows panels to swing down for plenum access.

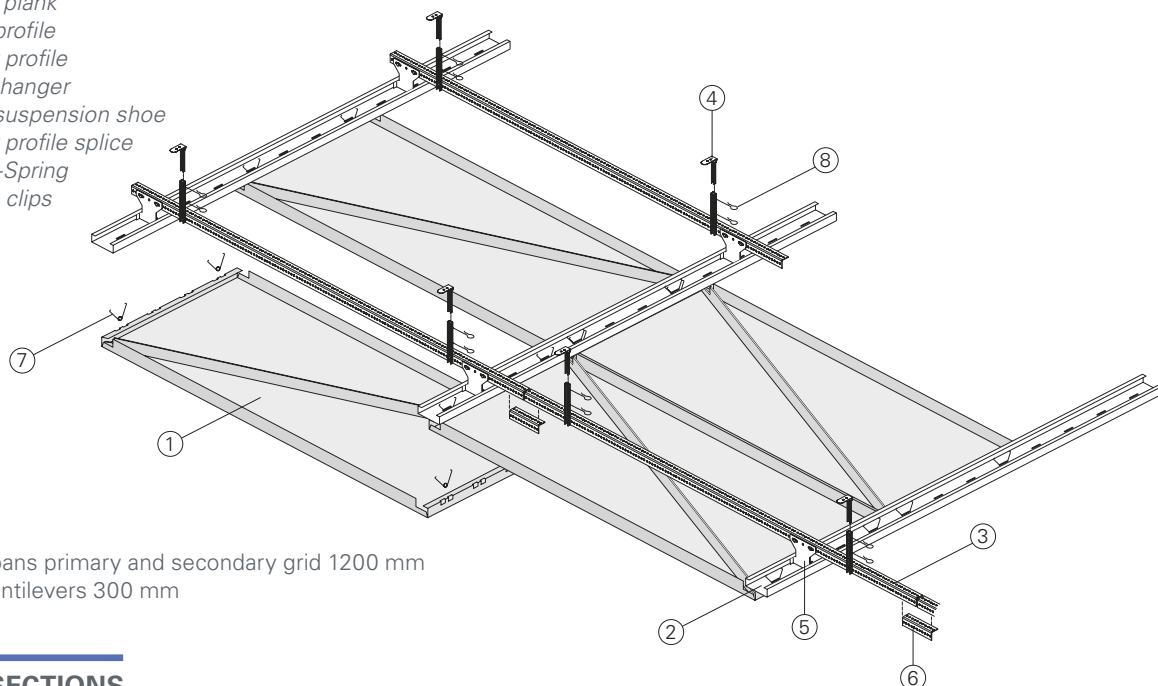
Project: ADPRO Sports Training Facility, Orchard Park, NY - Product: Torsion-Spring (Geometries) - Photo credit: Bob Perzel

## KEY FEATURES

- Geometrically shaped panels
- Panel sizes:
  - minimum 300 x 520 mm
  - maximum 1050 x 2400 mm
- Torsion-Spring feature allows point-access and 100% access to plenum
- Square-edge design
- Perforated panels with non-woven tissue for acoustic control
- On site waste reduction with factory fabricated dimensional material
- Downweight: reduce static load with lightweight aluminum or steel
- Compatible with industry standard lighting, HVAC, speaker, fire safety, and security services

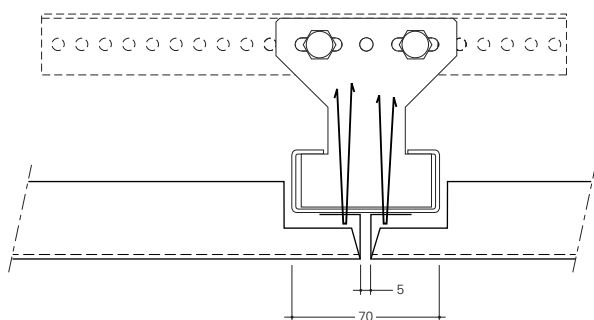
**TYPICAL ISOMETRICS**

- 1 = Delta G plank
- 2 = C-Grid profile
- 3 = Primary profile
- 4 = Nonius hanger
- 5 = C-Grid suspension shoe
- 6 = Primary profile splice
- 7 = Torsion-Spring
- 8 = Locking clips



Maximum spans primary and secondary grid 1200 mm  
 Maximum cantilevers 300 mm

**TYPICAL SECTIONS**



**PERFORATION PATTERNS**

Standard patterns shown. See page 350 for all perforation patterns.  
 Scale shown: 1:1, unless otherwise noted.

D1522 Ø 1.5 mm ⌈ 4 ⇔ 4	D2022 Ø 2 mm ⌈ 5 ⇔ 5	R1511 Ø 1.5 mm ⌈ 4 ⇔ 4	R2011 Ø 2 mm ⌈ 5 ⇔ 5	R2516 Ø 2.5 mm ⌈ 5.5 ⇔ 5.5
Openness 22%	Openness 22%	Openness 11%	Openness 11%	Openness 16%

**PHYSICAL DATA**

**Substrate:** Steel or Aluminium  
**Fire rating:** Class A1 according EN 13501-1  
**Weight:** Varies 4.9 - 7.8 kg/m<sup>2</sup>  
**Light reflectance (LR) Coefficient:**  
 - Varies with finish  
 - RAL9010: LR = 0.81  
**Acoustic ratings:** α<sub>w</sub> 0.55-0.90: See page 352

**BIM**  
 REVIT files available for BIM contributions,  
 see website for details.

**LEED V4 CREDITS**

- EA : Optimise Energy Performance
- MR : Building Product Disclosure
- EQ : Low-Emitting Materials
- EQ : Indoor Air Quality Assessment
- EQ : Daylight
- EQ : Acoustic Performance

**CERTIFICATIONS**

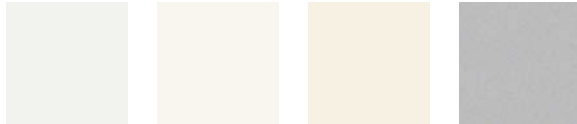
TAIM QS  
 French VOC Regulation: Class A  
 EPD: Available upon request



**COLOURS AND FINISHES**

Hunter Douglas offers a wide choice of colours and finishes. Custom colour matching is available upon request. Please contact your local Hunter Douglas sales office for minimum quantities and lead times. See website for the most up to date information. Colours are for illustration purposes only.

**STANDARD PAINT COLOURS**



0181 RAL 9003    0106 RAL 9016    0280 RAL 9010    7163 RAL 9006

**CUSTOM COLOURS**



**DECORATED WOOD-LOOK OPTIONS**

Powder-coat paint finish (interior and exterior). Formaldehyde-free, Class A composite panel. This finish is recommended for exterior conditions.



Fonthill Cherry 8426    Walnut 8424    Amber Bamboo 8435    African Wenge 8944    Grey Barnwood Cedar 8437    Golden Douglas Fir 8436    American Oak 8439    Cajun Cypress 8442



Swamp Cypress 8444    Clipper Teak 8446    Windjammer Teak 8449    Douglas Fir 8452    Anigre 8453    Farm Maple 8458    Caravel Teak 8460    Regatta Teak 8461



Summer Maple 8465    Terrace Maple 8466    Red River Pecan 8467    Bayou Pecan 8468    Northwest Mountain Hemlock 8489    Whitewash 8498    Rustic Cherry 8939    Cherry 8942

**LAMINATED (FILM) WOOD OPTIONS**

Pre-painted coil with a PVC film finish, for interior only.



Oak 8920    Maple 8921    Cherry 8922    Cypress 8925    Grey Cedar 8931    Teak 8923    Whitewash 8924    Walnut 8927

**COIL COATED WOOD-LOOK OPTIONS**

Coil-coated paint finishes are suitable for interior applications.



Cherry 8928    Teak 8929    Dark Walnut 8930

**STAINLESS STEEL OPTIONS**

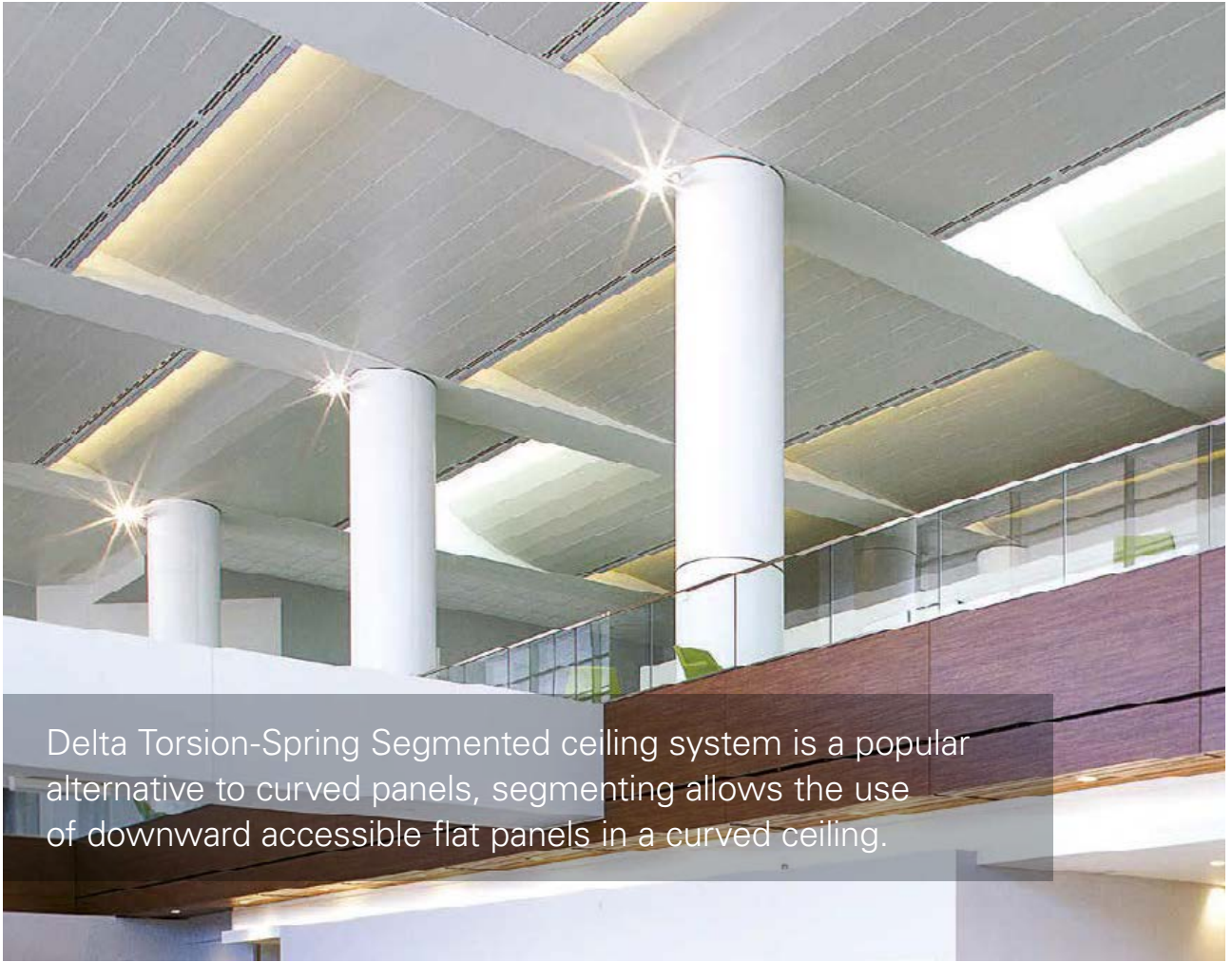
Object shows reflectivity of finish



Satin 7772C    Brushed 7774C    Bright 7776C    Mirror 7778C







Delta Torsion-Spring Segmented ceiling system is a popular alternative to curved panels, segmenting allows the use of downward accessible flat panels in a curved ceiling.

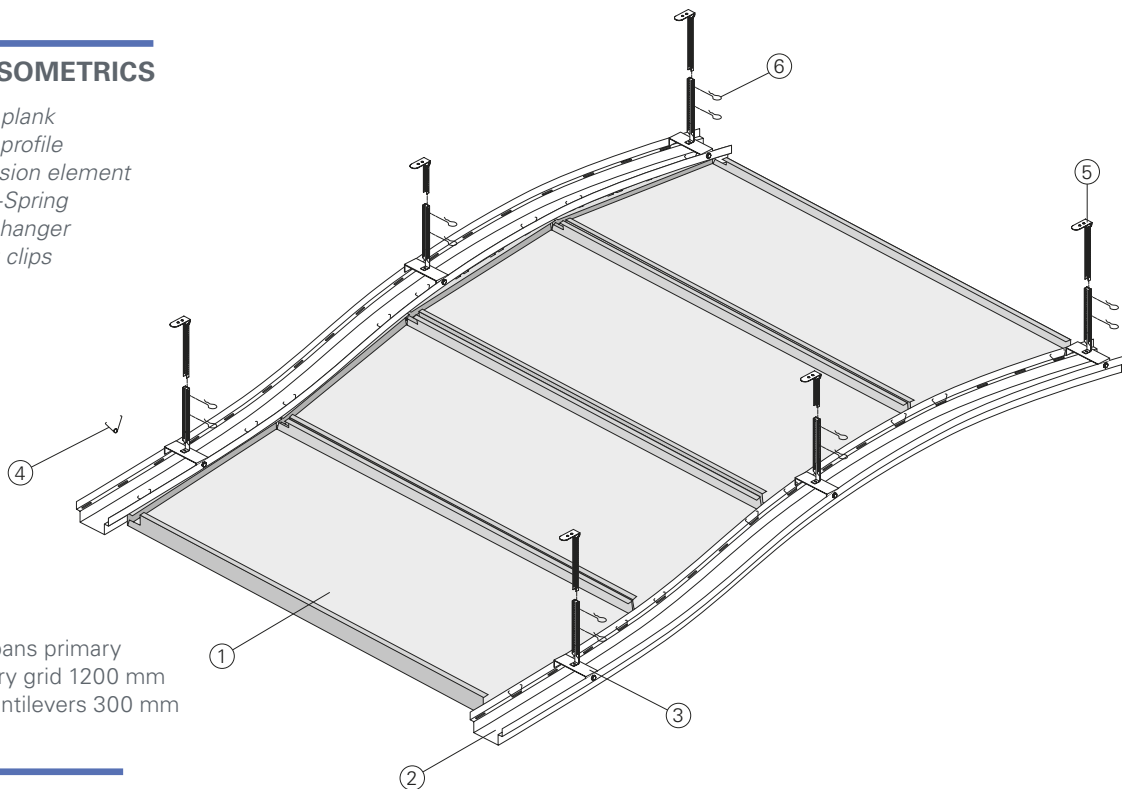
*Project: PHX Sky Harbor Airport - Terminal 3, Phoenix, AZ - Product: Torsion-Spring (Segmented)*

## KEY FEATURES

- Panel sizes:
  - minimum 300 x 520 mm
  - maximum 1050 x 2400 mm
- Torsion-Spring feature allows point-access and 100% access to plenum
- Square-edge design
- Perforated panels with non-woven tissue for acoustic control
- On site waste reduction with factory fabricated dimensional material
- Downweight: reduce static load with lightweight aluminum or steel
- Compatible with industry standard lighting, HVAC, speaker, fire safety, and security services

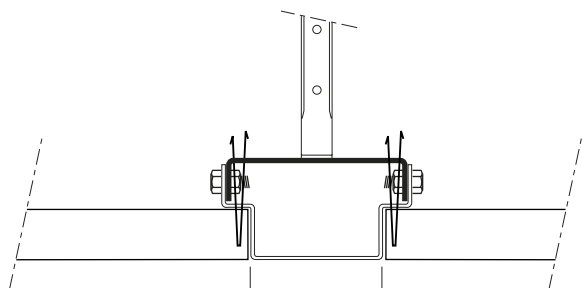
**TYPICAL ISOMETRICS**

- 1 = Delta S plank
- 2 = Curved profile
- 3 = Suspension element
- 4 = Torsion-Spring
- 5 = Nonius hanger
- 6 = Locking clips



Maximum spans primary and secondary grid 1200 mm  
 Maximum cantilevers 300 mm

**TYPICAL SECTIONS**



**PERFORATION PATTERNS**

Standard patterns shown. See page 350 for all perforation patterns.  
 Scale shown: 1:1, unless otherwise noted.

D1522 Ø 1.5 mm ⌈ 4 ⇔ 4 Openness 22%	D2022 Ø 2 mm ⌈ 5 ⇔ 5 Openness 22%	R1511 Ø 1.5 mm ⌈ 4 ⇔ 4 Openness 11%	R2011 Ø 2 mm ⌈ 5 ⇔ 5 Openness 11%	R2516 Ø 2.5 mm ⌈ 5.5 ⇔ 5.5 Openness 16%

**PHYSICAL DATA**

**Substrate:** Steel or Aluminium  
**Fire rating:** Class A1 according EN 13501-1  
**Weight:** Varies 4.9 - 7.8 kg/m<sup>2</sup>  
**Light reflectance (LR) Coefficient:**  
 - Varies with finish  
 - RAL9010: LR = 0.81  
**Acoustic ratings:** α<sub>w</sub> 0.55-0.90: See page 352

**BIM**  
 REVIT files available for BIM contributions,  
 see website for details.

**LEED V4 CREDITS**

- EA : Optimise Energy Performance
- MR : Building Product Disclosure
- EQ : Low-Emitting Materials
- EQ : Indoor Air Quality Assessment
- EQ : Daylight
- EQ : Acoustic Performance

**CERTIFICATIONS**

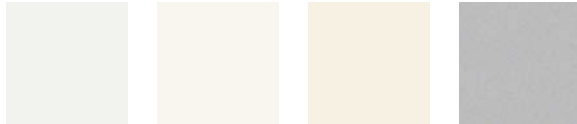
TAIM QS  
 French VOC Regulation: Class A  
 EPD: Available upon request



**COLOURS AND FINISHES**

Hunter Douglas offers a wide choice of colours and finishes. Custom colour matching is available upon request. Please contact your local Hunter Douglas sales office for minimum quantities and lead times. See website for the most up to date information. Colours are for illustration purposes only.

**STANDARD PAINT COLOURS**



0181 RAL 9003    0106 RAL 9016    0280 RAL 9010    7163 RAL 9006

**CUSTOM COLOURS**



**DECORATED WOOD-LOOK OPTIONS**

Powder-coat paint finish (interior and exterior). Formaldehyde-free, Class A composite panel. This finish is recommended for exterior conditions.



Fonthill Cherry 8426    Walnut 8424    Amber Bamboo 8435    African Wenge 8944    Grey Barnwood Cedar 8437    Golden Douglas Fir 8436    American Oak 8439    Cajun Cypress 8442



Swamp Cypress 8444    Clipper Teak 8446    Windjammer Teak 8449    Douglas Fir 8452    Anigre 8453    Farm Maple 8458    Caravel Teak 8460    Regatta Teak 8461



Summer Maple 8465    Terrace Maple 8466    Red River Pecan 8467    Bayou Pecan 8468    Northwest Mountain Hemlock 8489    Whitewash 8498    Rustic Cherry 8939    Cherry 8942

**LAMINATED (FILM) WOOD OPTIONS**

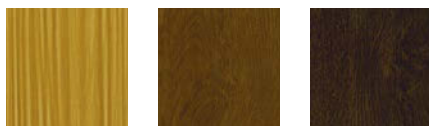
Pre-painted coil with a PVC film finish, for interior only.



Oak 8920    Maple 8921    Cherry 8922    Cypress 8925    Grey Cedar 8931    Teak 8923    Whitewash 8924    Walnut 8927

**COIL COATED WOOD-LOOK OPTIONS**

Coil-coated paint finishes are suitable for interior applications.



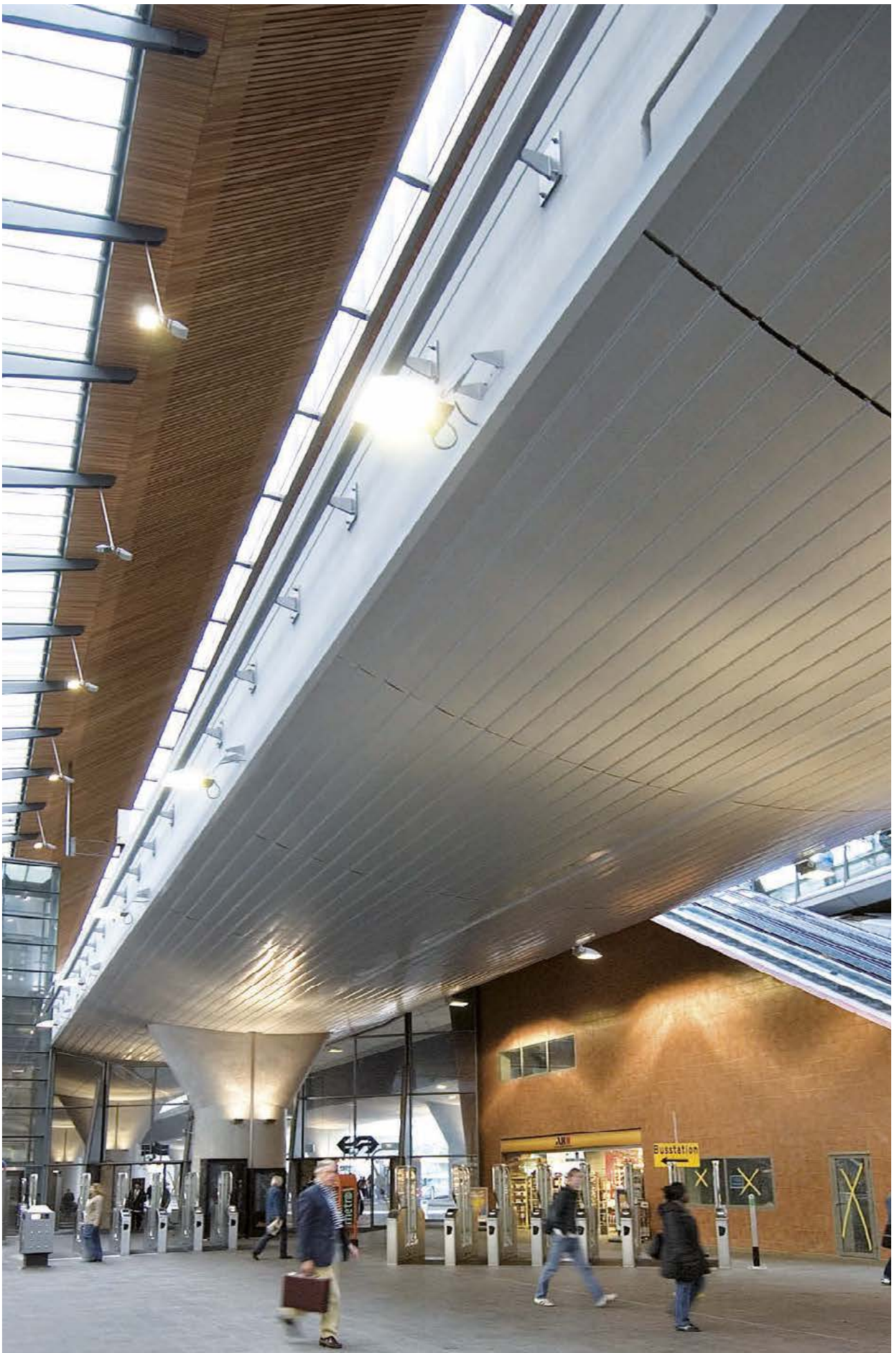
Cherry 8928    Teak 8929    Dark Walnut 8930

**STAINLESS STEEL OPTIONS**

Object shows reflectivity of finish

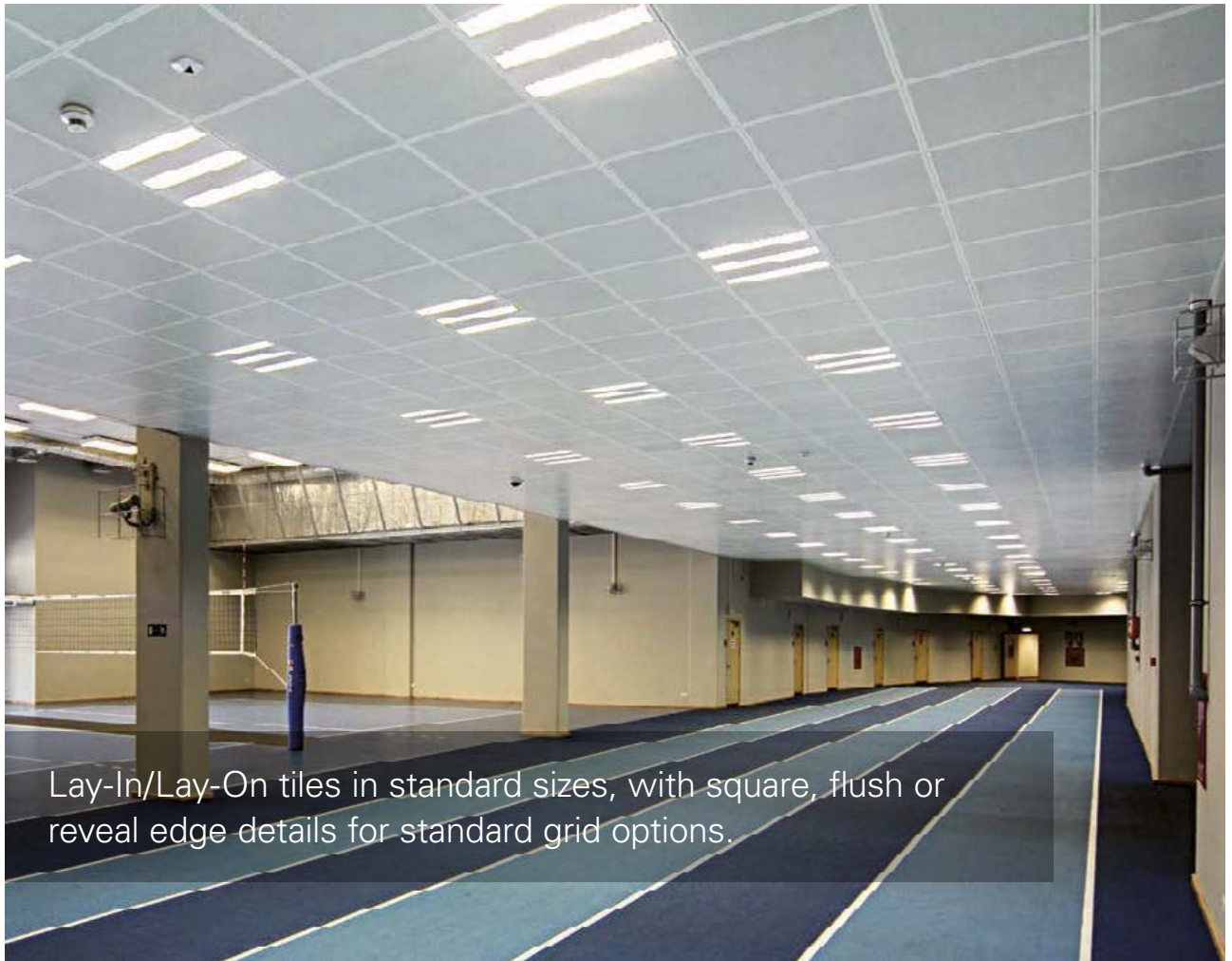


Satin 7772C    Brushed 7774C    Bright 7776C    Mirror 7778C



Project: Train station Bijlmer, Amsterdam, The Netherlands - Product: Planks Delta S (Segmented) - Architect: Nicholas Grimshaw and Arcadis





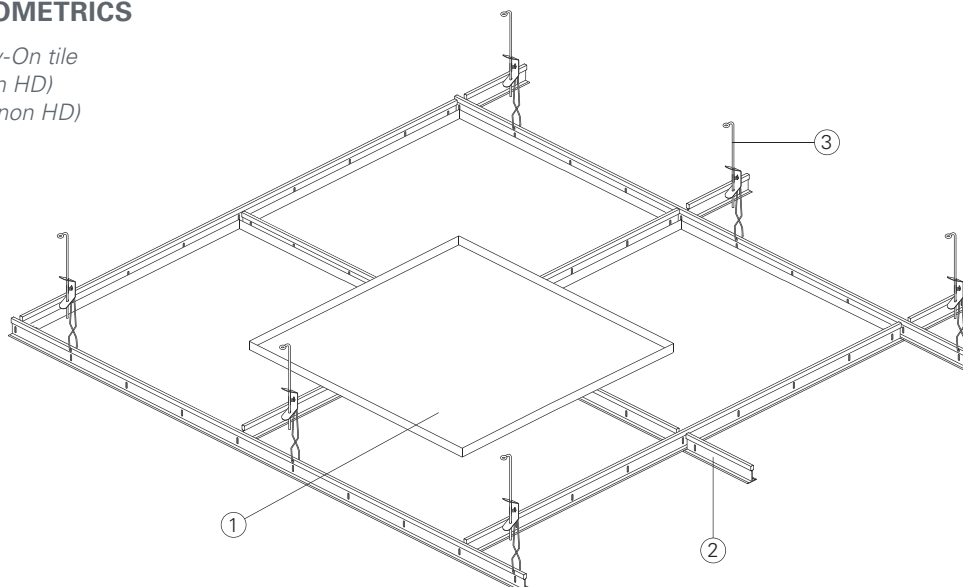
Project: Atlas Arena- Sport and Entertainment hall, Lodz, Poland - Product: Tiles (Lay-In/Lay-On) - Architect: ATJ

## KEY FEATURES

- Standard dimension 600 x 600 mm
- Edge options: square, flush, reveal
- Perforated panels with non-woven tissue for acoustic control
- On site waste reduction with factory fabricated dimensional material
- Downweight: reduce static load with lightweight aluminum or steel
- Easy installation - no fasteners or tools required
- Compatible with industry standard lighting, HVAC, speaker, fire safety, and security services

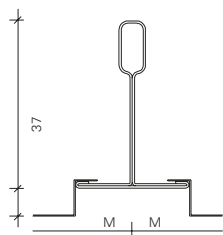
**TYPICAL ISOMETRICS**

- 1 = Lay-In/Lay-On tile
- 2 = T-grid (non HD)
- 3 = Hangers (non HD)



Maximum spans primary and secondary grid 1200 mm  
 Maximum cantilevers 300 mm

**TYPICAL SECTIONS**



**PERFORATION PATTERNS**

Standard patterns shown. See page 350 for all perforation patterns.  
 Scale shown: 1:1, unless otherwise noted.

D1522 Ø 1.5 mm ⌈ 4 ⇔ 4 Openness 22%	D2022 Ø 2 mm ⌈ 5 ⇔ 5 Openness 22%	R1511 Ø 1.5 mm ⌈ 4 ⇔ 4 Openness 11%	R2011 Ø 2 mm ⌈ 5 ⇔ 5 Openness 11%	R2516 Ø 2.5 mm ⌈ 5.5 ⇔ 5.5 Openness 16%

**PHYSICAL DATA**

**Substrate:** Steel or Aluminium  
**Fire rating:** Class A1 according EN 13501-1  
**Weight:** Varies 4.9 - 7.8 kg/m<sup>2</sup>  
**Light reflectance (LR) Coefficient:**  
 - Varies with finish  
 - RAL9010: LR = 0.81  
**Acoustic ratings:** α<sub>w</sub> 0.55-0.90: See page 352

**BIM**  
 REVIT files available for BIM contributions,  
 see website for details.

**LEED V4 CREDITS**

- EA : Optimise Energy Performance
- MR : Building Product Disclosure
- EQ : Low-Emitting Materials
- EQ : Indoor Air Quality Assessment
- EQ : Daylight
- EQ : Acoustic Performance

**CERTIFICATIONS**

TAIM QS  
 French VOC Regulation: Class A  
 EPD: Available upon request



**COLOURS AND FINISHES**

Hunter Douglas offers a wide choice of colours and finishes. Custom colour matching is available upon request. Please contact your local Hunter Douglas sales office for minimum quantities and lead times. See website for the most up to date information. Colours are for illustration purposes only.

**STANDARD PAINT COLOURS**



0181 RAL 9003    0106 RAL 9016    0280 RAL 9010    7163 RAL 9006

**CUSTOM COLOURS**



**DECORATED WOOD-LOOK OPTIONS**

Powder-coat paint finish (interior and exterior). Formaldehyde-free, Class A composite panel. This finish is recommended for exterior conditions.



Fonthill Cherry 8426    Walnut 8424    Amber Bamboo 8435    African Wenge 8944    Grey Barnwood Cedar 8437    Golden Douglas Fir 8436    American Oak 8439    Cajun Cypress 8442



Swamp Cypress 8444    Clipper Teak 8446    Windjammer Teak 8449    Douglas Fir 8452    Anigre 8453    Farm Maple 8458    Caravel Teak 8460    Regatta Teak 8461



Summer Maple 8465    Terrace Maple 8466    Red River Pecan 8467    Bayou Pecan 8468    Northwest Mountain Hemlock 8489    Whitewash 8498    Rustic Cherry 8939    Cherry 8942

**LAMINATED (FILM) WOOD OPTIONS**

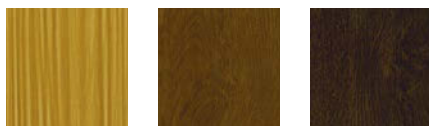
Pre-painted coil with a PVC film finish, for interior only.



Oak 8920    Maple 8921    Cherry 8922    Cypress 8925    Grey Cedar 8931    Teak 8923    Whitewash 8924    Walnut 8927

**COIL COATED WOOD-LOOK OPTIONS**

Coil-coated paint finishes are suitable for interior applications.



Cherry 8928    Teak 8929    Dark Walnut 8930

**STAINLESS STEEL OPTIONS**

Object shows reflectivity of finish

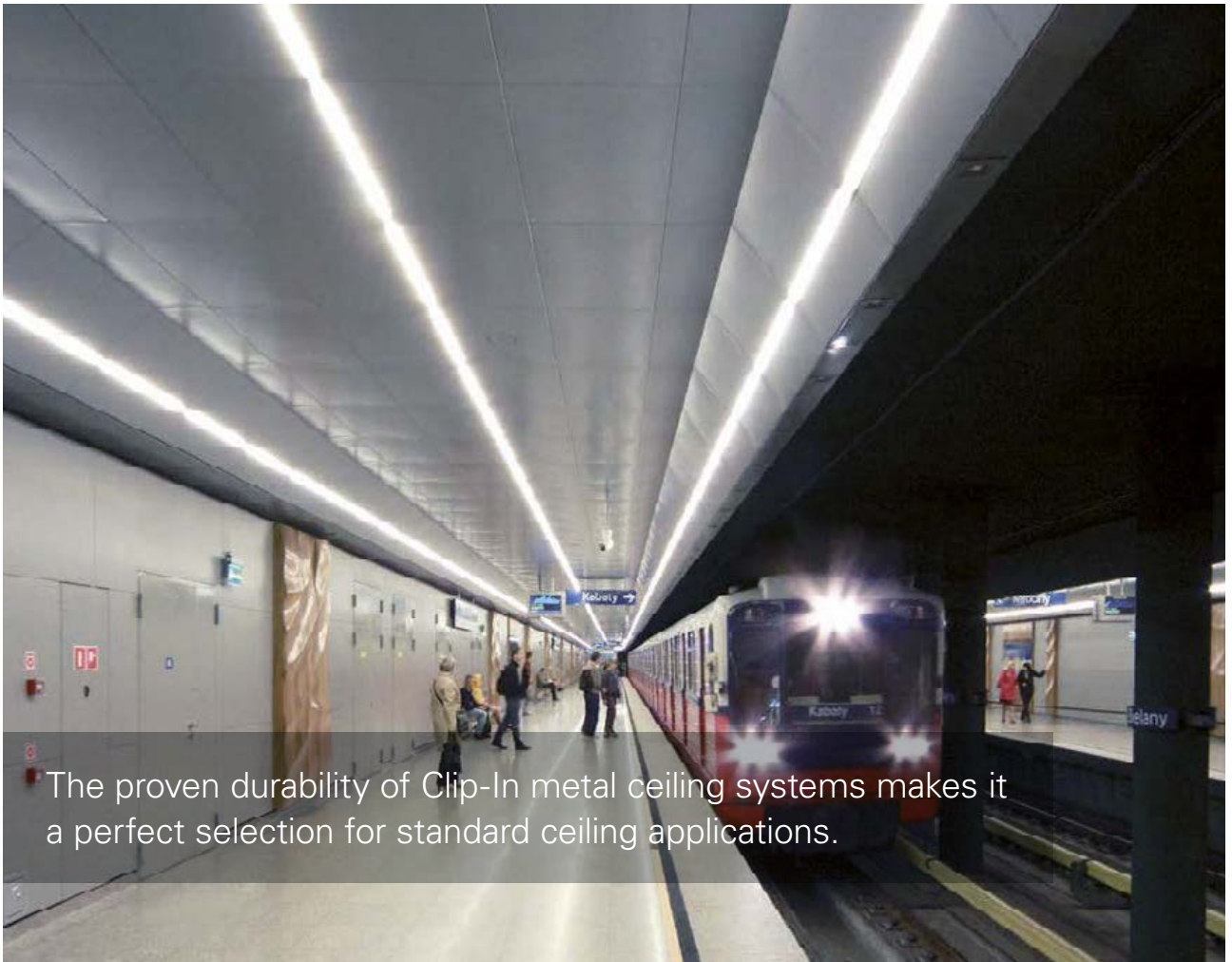


Satin 7772C    Brushed 7774C    Bright 7776C    Mirror 7778C



Project: Atlas Arena- Sport and Entertainment hall, Lodz, Poland - Product: Tiles (Lay-In/Lay-On) - Architect: ATJ





The proven durability of Clip-In metal ceiling systems makes it a perfect selection for standard ceiling applications.

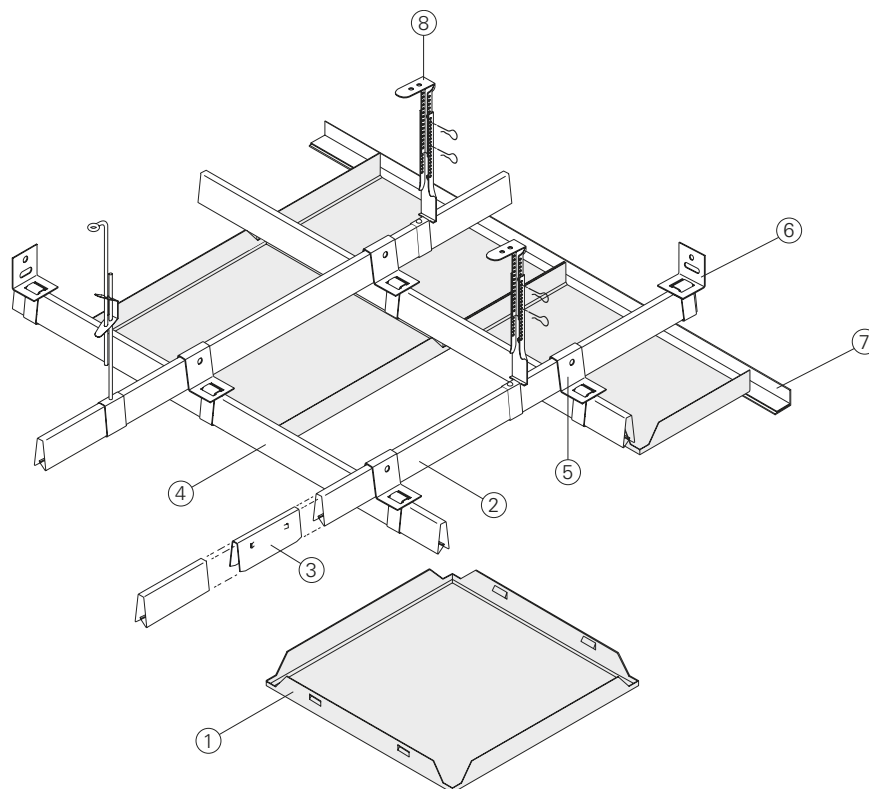
*Project: Stare Bielany Metro Station, Warsaw, Poland - Product: Tile (Clip-In)*

## KEY FEATURES

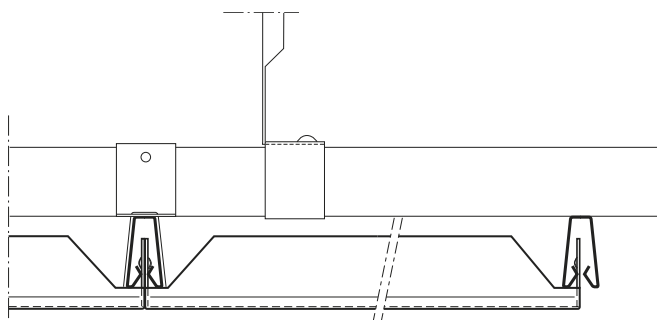
- Standard dimension 600 x 600 mm
- Bevelled edges
- Perforated panels with non-woven tissue for acoustic control
- On site waste reduction with factory fabricated dimensional material
- Downweight: reduce static load with lightweight aluminum or steel
- Easy installation - no fasteners or tools required
- Compatible with industry standard lighting, HVAC, speaker, fire safety, and security services

**TYPICAL ISOMETRICS**

- 1 = Clip-In tile
- 2 = Primary profile
- 3 = Primary profile splice
- 4 = Clip-In profile
- 5 = Cross connector
- 6 = Wall bracket
- 7 = Edge trim profile
- 8 = Suspension



**TYPICAL SECTIONS**



**PERFORATION PATTERNS**

Standard patterns shown. See page 350 for all perforation patterns.  
Scale shown: 1:1, unless otherwise noted.

D1522 Ø 1.5 mm ⌈ 4 ⇔ 4	D2022 Ø 2 mm ⌈ 5 ⇔ 5	R1511 Ø 1.5 mm ⌈ 4 ⇔ 4	R2011 Ø 2 mm ⌈ 5 ⇔ 5	R2516 Ø 2.5 mm ⌈ 5.5 ⇔ 5.5
Openness 22%	Openness 22%	Openness 11%	Openness 11%	Openness 16%

**PHYSICAL DATA**

**Substrate:** Steel or Aluminium  
**Fire rating:** Class A1 according EN 13501-1  
**Weight:** Varies 4.9 - 7.8 kg/m<sup>2</sup>  
**Light reflectance (LR) Coefficient:**  
 - Varies with finish  
 - RAL9010: LR = 0.81  
**Acoustic ratings:** α<sub>w</sub> 0.55-0.90: See page 352

**BIM**  
 REVIT files available for BIM contributions,  
 see website for details.

**LEED V4 CREDITS**

- EA : Optimise Energy Performance
- MR : Building Product Disclosure
- EQ : Low-Emitting Materials
- EQ : Indoor Air Quality Assessment
- EQ : Daylight
- EQ : Acoustic Performance

**CERTIFICATIONS**

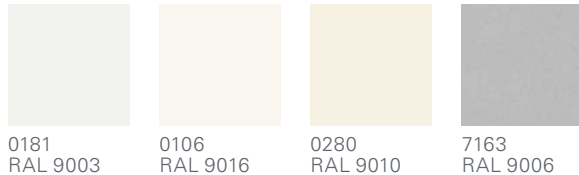
TAIM QS  
 French VOC Regulation: Class A  
 EPD: Available upon request



**COLOURS AND FINISHES**

Hunter Douglas offers a wide choice of colours and finishes. Custom colour matching is available upon request. Please contact your local Hunter Douglas sales office for minimum quantities and lead times. See website for the most up to date information. Colours are for illustration purposes only.

**STANDARD PAINT COLOURS**



**CUSTOM COLOURS**



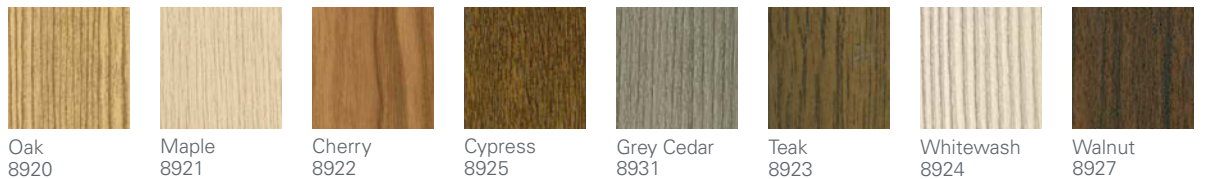
**DECORATED WOOD-LOOK OPTIONS**

Powder-coat paint finish (interior and exterior). Formaldehyde-free, Class A composite panel. This finish is recommended for exterior conditions.



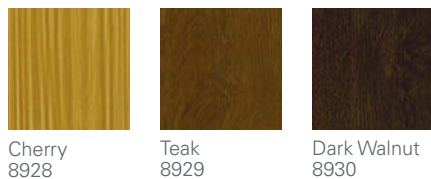
**LAMINATED (FILM) WOOD OPTIONS**

Pre-painted coil with a PVC film finish, for interior only.



**COIL COATED WOOD-LOOK OPTIONS**

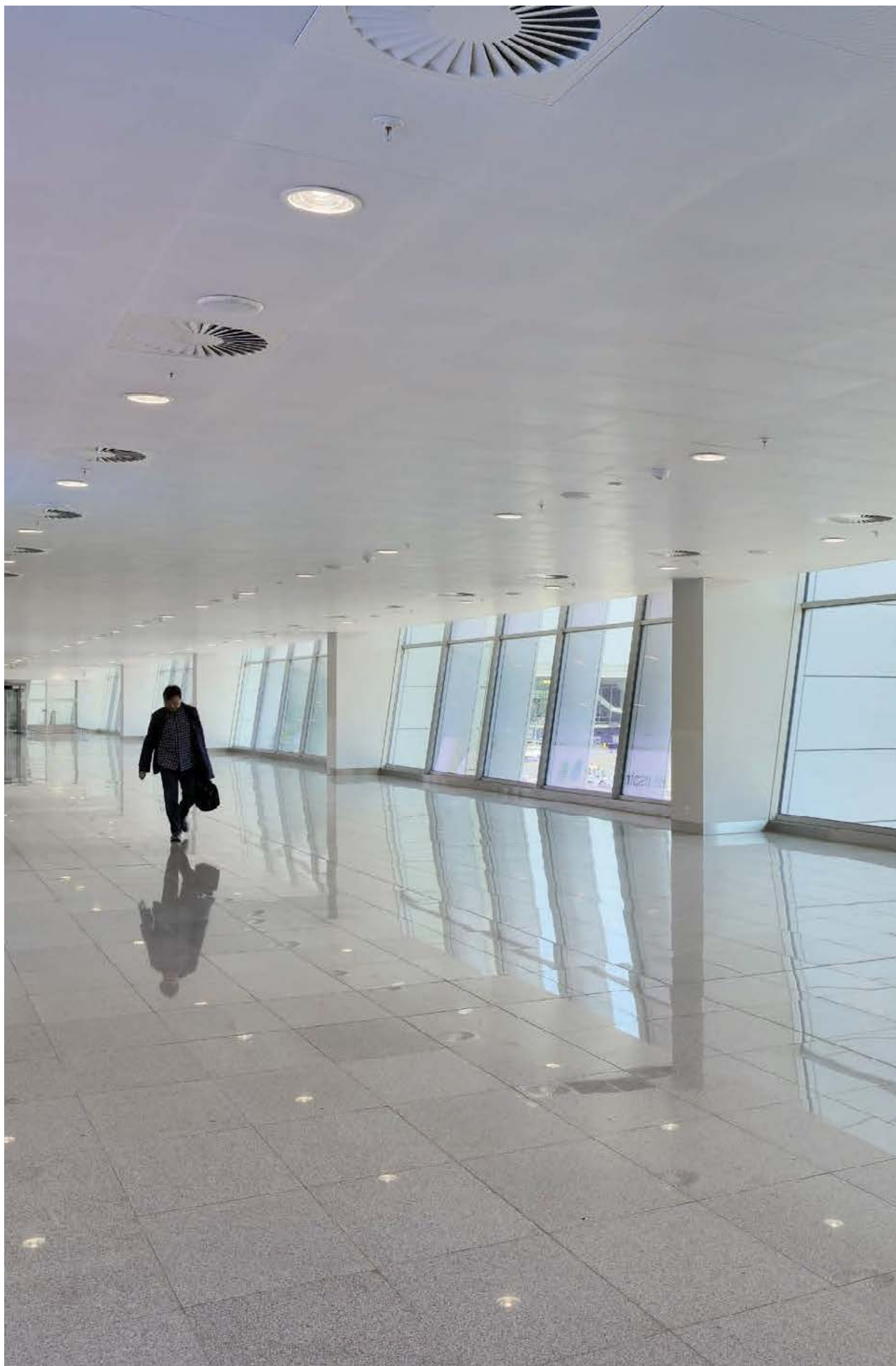
Coil-coated paint finishes are suitable for interior applications.



**STAINLESS STEEL OPTIONS**

Object shows reflectivity of finish





Project: Brussels Airport Connector, Brussels, Belgium - Product: Tile (Clip-In) - Architect: Chapman Taylor Benelux



Stretch Metal Lay-In/Lay-On tiles in standard sizes, with square, flush or reveal edge details for standard grid options.

*Project: Narodowy Football Stadium, Warsaw, Poland - Product: Stretch Metal Tiles (Lay-In/lay-On) - Architect: JSK*

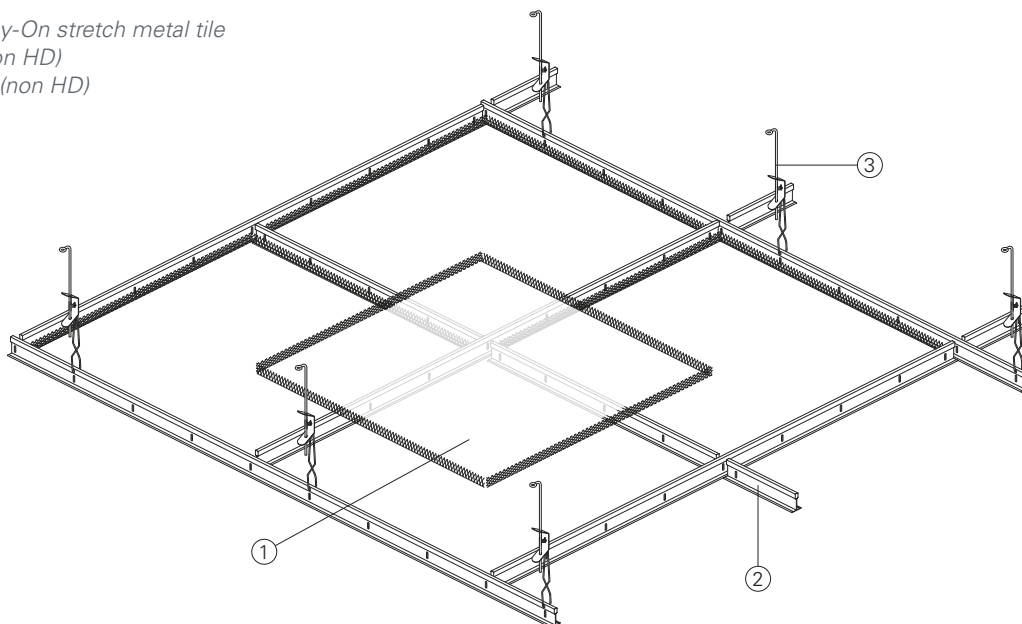
## KEY FEATURES

- Standard dimension 600 x 600 mm
- Edge options: square, flush, reveal
- Mesh panels with lay-on pads for acoustic control
- On site waste reduction with factory fabricated dimensional material
- Downweight: reduce static load with lightweight aluminum or steel
- Easy installation - no fasteners or tools required
- Compatible with industry standard lighting, HVAC, speaker, fire safety, and security services

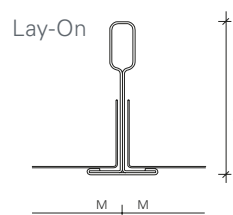
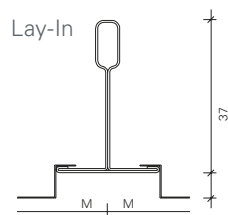


**TYPICAL ISOMETRICS**

- 1 = Lay-In/Lay-On stretch metal tile
- 2 = T-grid (non HD)
- 3 = Hangers (non HD)



**TYPICAL SECTIONS**



**MESH PATTERNS**

Standard patterns shown. See page 350 for all mesh patterns.  
Scale shown: 1:4.



**LD6 (Fe)**  
Open area 40%,  
Thickness 1.7 mm  
Dimensions:  
6 x 3.5 - 1.1 x 0.8  
Weight 1.6 kg/m<sup>2</sup>



**LS6 (Fe)**  
Open area 36%,  
Thickness 1.7 mm  
Dimensions:  
6 x 4.5 - 1.2 x 1.0  
Weight 1.3 kg/m<sup>2</sup>

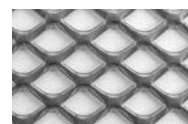


**LS8 (Fe+Al)**  
Open area 54%,  
Thickness 1.9 mm  
Dimensions:  
8 x 6.0 - 1.2 x 1.0  
Weight 1.7 kg/m<sup>2</sup>



**LS10 (Fe)**  
Open area 57%,  
Thickness 2.0 mm  
Dimensions:  
10 x 7.0 - 1.5 x 1.0  
Weight 1.3 kg/m<sup>2</sup>

**Lay-On only**



**LS12 (Fe+Al)**  
Open area 66%,  
Thickness 2.0 mm  
Dimensions:  
12 x 9.5 - 1.6 x 1.0  
Weight 1.7 kg/m<sup>2</sup>



**LS16 (Fe)**  
Open area 46%,  
Thickness 2.0 mm  
Dimensions:  
16 x 11.0 - 3.0 x 2.0  
Weight 2.0 kg/m<sup>2</sup>

**PHYSICAL DATA**

**Substrate:** Steel or Aluminium  
**Fire rating:** Class A1 according EN 13501-1  
**Weight:** Varies 4.9 - 7.8 kg/m<sup>2</sup>  
**Light reflectance (LR) Coefficient:**  
- Varies with finish  
- RAL9010: LR = 0.81  
**Acoustic ratings:** α<sub>w</sub> 0.55-1.00: See page 353

**BIM**  
REVIT files available for BIM contributions,  
see website for details.

**LEED V4 CREDITS**

- EA : Optimise Energy Performance
- MR : Building Product Disclosure
- EQ : Low-Emitting Materials
- EQ : Indoor Air Quality Assessment
- EQ : Daylight
- EQ : Acoustic Performance

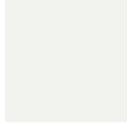
**CERTIFICATIONS**

TAIM QS  
French VOC Regulation: Class A  
EPD: Available upon request

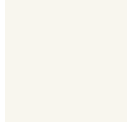
### COLOURS AND FINISHES

Hunter Douglas offers a wide choice of colours and finishes. Custom colour matching is available upon request. Please contact your local Hunter Douglas sales office for minimum quantities and lead times. See website for the most up to date information. Colours are for illustration purposes only.

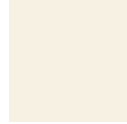
#### STANDARD PAINT COLOURS



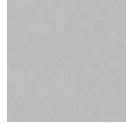
0181  
RAL 9003



0106  
RAL 9016



0280  
RAL 9010



7163  
RAL 9006

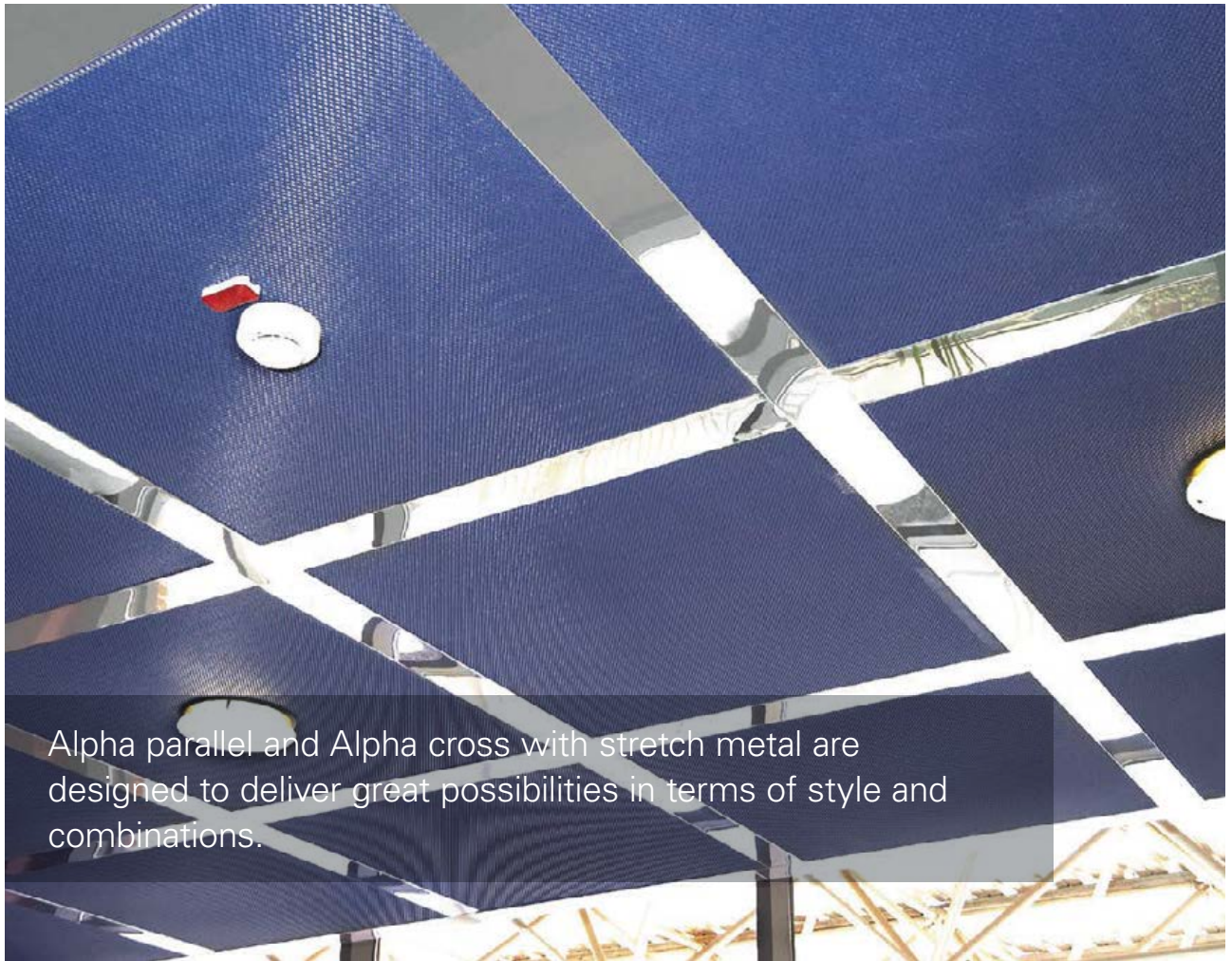
#### CUSTOM COLOURS





Project: Biljartfabriek, Zwolle, The Netherlands - Product: Stretch Metal Tiles (Lay-In/ lay-On) - Architect: BDG Architecten





Alpha parallel and Alpha cross with stretch metal are designed to deliver great possibilities in terms of style and combinations.

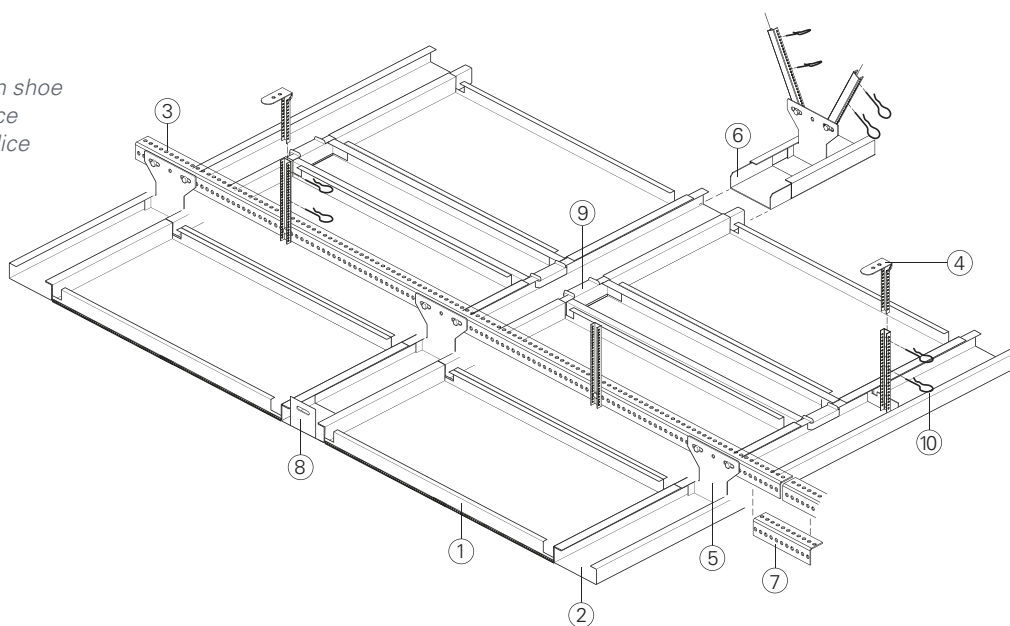
*Project: Fair, Bologna, Italy - Product: Stretch Metal Alpha (Bandraster)*

## KEY FEATURES

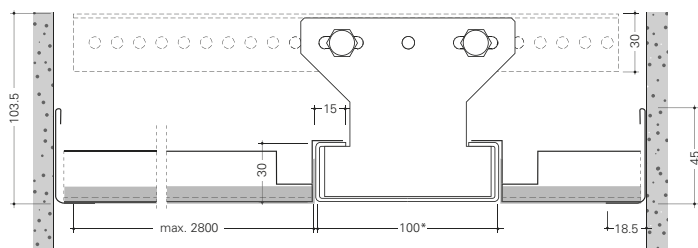
- Panel sizes:
  - without reinforcement maximum 500 x 1200 mm
  - with reinforcement maximum 600 x 2800 mm
- Square-edge design in parallel or cross design installation
- Mesh panels with lay-on pads for acoustic control
- On site waste reduction with factory fabricated dimensional material
- Downweight: reduce static load with lightweight aluminum or steel
- Easy plenum access
- Compatible with industry standard lighting, HVAC, speaker, fire safety, and security services

**TYPICAL ISOMETRICS**

- 1 = C-Grid panel
- 2 = C-Grid profile
- 3 = Primary profile
- 4 = Nonius hanger
- 5 = C-Grid suspension shoe
- 6 = C-Grid profile splice
- 7 = Primary profile splice
- 8 = Wall bracket
- 9 = Cross connector
- 10 = Locking clips



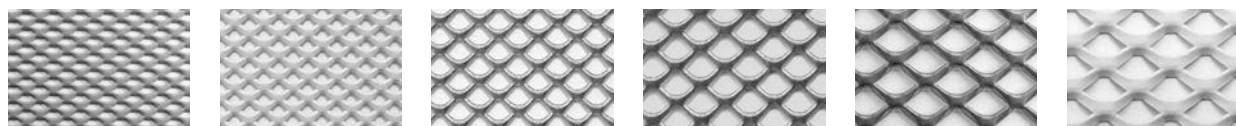
**TYPICAL SECTIONS**



\*Other sizes on request (80 - 300 mm)

**MESH PATTERNS**

Standard patterns shown. See page 350 for all mesh patterns.  
Scale shown: 1:4.



**LD6 (Fe)**  
Open area 40%,  
Thickness 1.7 mm  
Dimensions:  
6 x 3.5 - 1.1 x 0.8  
Weight 1.6 kg/m<sup>2</sup>

**LS6 (Fe)**  
Open area 36%,  
Thickness 1.7 mm  
Dimensions:  
6 x 4.5 - 1.2 x 1.0  
Weight 1.3 kg/m<sup>2</sup>

**LS8 (Fe+Al)**  
Open area 54%,  
Thickness 1.9 mm  
Dimensions:  
8 x 6.0 - 1.2 x 1.0  
Weight 1.7 kg/m<sup>2</sup>

**LS10 (Fe)**  
Open area 57%,  
Thickness 2.0 mm  
Dimensions:  
10 x 7.0 - 1.5 x 1.0  
Weight 1.3 kg/m<sup>2</sup>

**LS12 (Fe+Al)**  
Open area 66%,  
Thickness 2.0 mm  
Dimensions:  
12 x 9.5 - 1.6 x 1.0  
Weight 1.7 kg/m<sup>2</sup>

**LS16 (Fe)**  
Open area 46%,  
Thickness 2.0 mm  
Dimensions:  
16 x 11.0 - 3.0 x 2.0  
Weight 2.0 kg/m<sup>2</sup>

**PHYSICAL DATA**

Substrate: Steel or Aluminium  
Fire rating: Class A1 according EN 13501-1  
Weight: Varies 4.9 - 7.8 kg/m<sup>2</sup>  
Light reflectance (LR) Coefficient:  
- Varies with finish  
- RAL9010: LR = 0.81  
Acoustic ratings:  $\alpha_w$  0.55-1.00: See page 353

**BIM**  
REVIT files available for BIM contributions,  
see website for details.

**LEED V4 CREDITS**

- EA : Optimise Energy Performance
- MR : Building Product Disclosure
- EQ : Low-Emitting Materials
- EQ : Indoor Air Quality Assessment
- EQ : Daylight
- EQ : Acoustic Performance

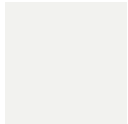
**CERTIFICATIONS**

TAIM QS  
French VOC Regulation: Class A  
EPD: Available upon request

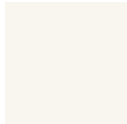
**COLOURS AND FINISHES**

Hunter Douglas offers a wide choice of colours and finishes. Custom colour matching is available upon request. Please contact your local Hunter Douglas sales office for minimum quantities and lead times. See website for the most up to date information. Colours are for illustration purposes only.

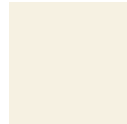
**STANDARD PAINT COLOURS**



0181  
RAL 9003



0106  
RAL 9016



0280  
RAL 9010



7163  
RAL 9006

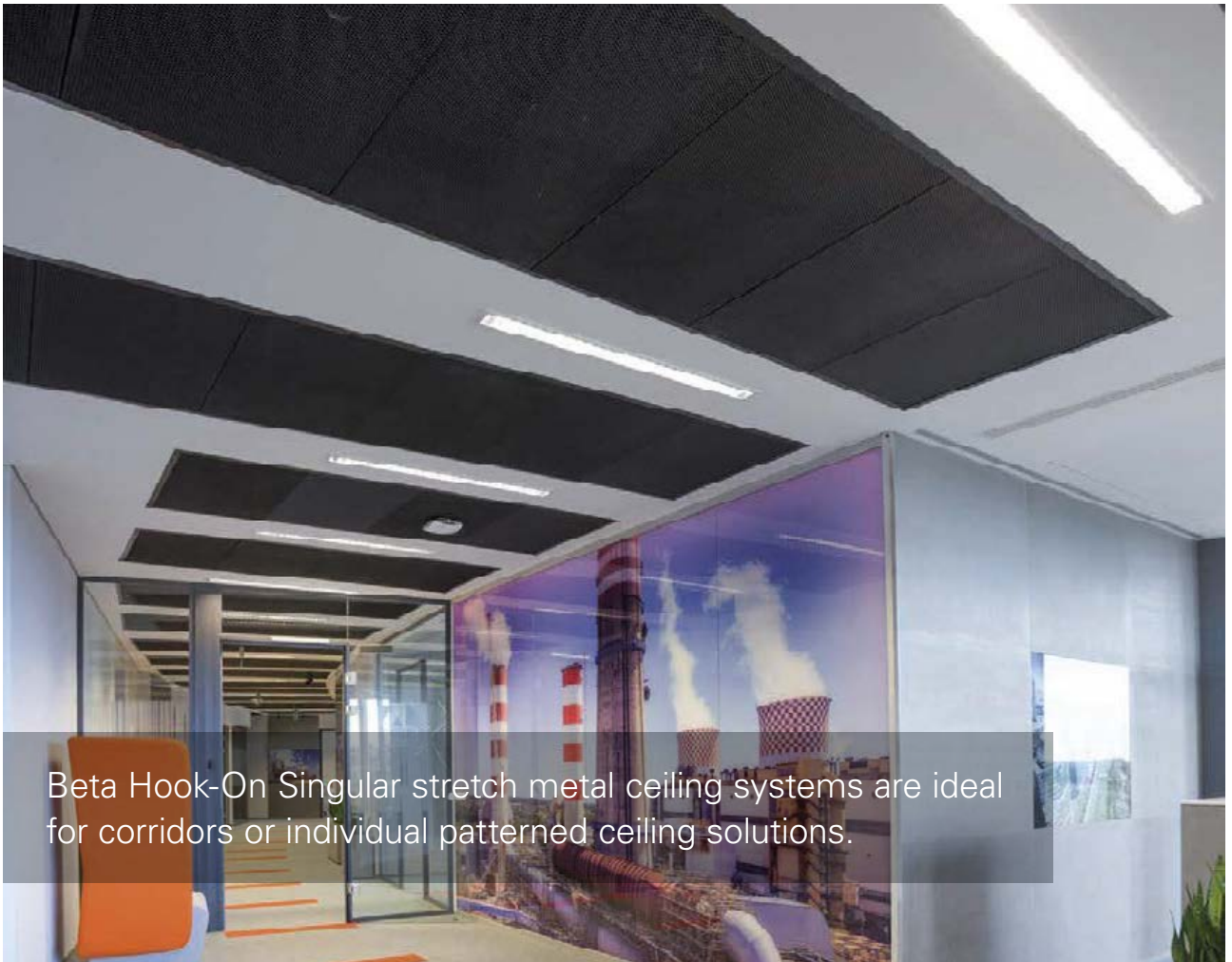
**CUSTOM COLOURS**







Project: Fair, Bologna, Italy - Product: Stretch Metal Alpha (Bandraster)



Beta Hook-On Singular stretch metal ceiling systems are ideal for corridors or individual patterned ceiling solutions.

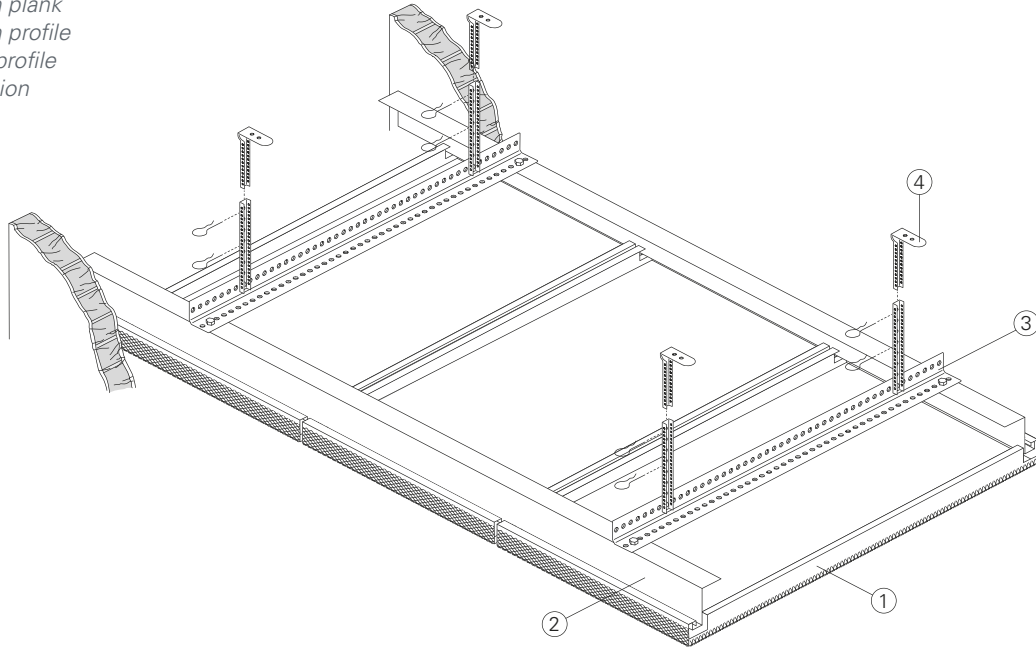
*Project: Royal Wilanów office building, Warsaw, Poland - Product: Stretch Metal Alpha (Hook-On Singular Type 1) - Architect: JEMS Architekci*

## KEY FEATURES

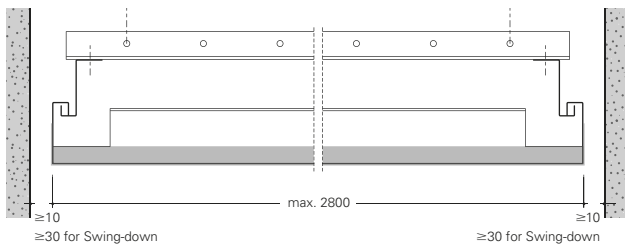
- Panel sizes:
  - with reinforcement maximum 600 x 2800 mm
- Square-edge design
- Mesh panels with lay-on pads for acoustic control
- On site waste reduction with factory fabricated dimensional material
- Downweight: reduce static load with lightweight aluminum or steel
- Easy installation - no fasteners or tools required
- Hook-On feature allows point-access and 100% access to plenum
- Compatible with industry standard lighting, HVAC, speaker, fire safety, and security services

## TYPICAL ISOMETRICS

- 1 = Hook-On plank
- 2 = Hook-On profile
- 3 = Primary profile
- 4 = Suspension

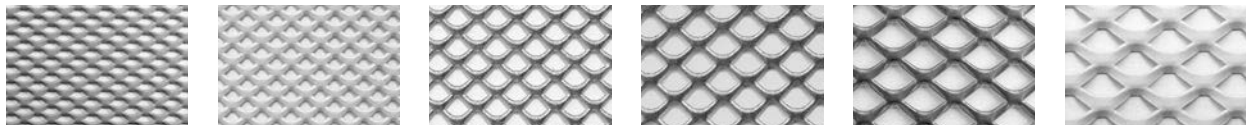


## TYPICAL SECTIONS



## MESH PATTERNS

Standard patterns shown. See page 350 for all mesh patterns.  
Scale shown: 1:4.



<p><b>LD6 (Fe)</b> Open area 40%, Thickness 1.7 mm Dimensions: 6 x 3.5 - 1.1 x 0.8 Weight 1.6 kg/m<sup>2</sup></p>	<p><b>LS6 (Fe)</b> Open area 36%, Thickness 1.7 mm Dimensions: 6 x 4.5 - 1.2 x 1.0 Weight 1.3 kg/m<sup>2</sup></p>	<p><b>LS8 (Fe+Al)</b> Open area 54%, Thickness 1.9 mm Dimensions: 8 x 6.0 - 1.2 x 1.0 Weight 1.7 kg/m<sup>2</sup></p>	<p><b>LS10 (Fe)</b> Open area 57%, Thickness 2.0 mm Dimensions: 10 x 7.0 - 1.5 x 1.0 Weight 1.3 kg/m<sup>2</sup></p>	<p><b>LS12 (Fe+Al)</b> Open area 66%, Thickness 2.0 mm Dimensions: 12 x 9.5 - 1.6 x 1.0 Weight 1.7 kg/m<sup>2</sup></p>	<p><b>LS16 (Fe)</b> Open area 46%, Thickness 2.0 mm Dimensions: 16 x 11.0 - 3.0 x 2.0 Weight 2.0 kg/m<sup>2</sup></p>
--	--	---	--	---	---

## PHYSICAL DATA

**Substrate:** Steel or Aluminium  
**Fire rating:** Class A1 according EN 13501-1  
**Weight:** Varies 4.9 - 7.8 kg/m<sup>2</sup>  
**Light reflectance (LR) Coefficient:**  
 - Varies with finish  
 - RAL9010: LR = 0.81  
**Acoustic ratings:**  $\alpha_w$  0.55-1.00: See page 353

### BIM

REVIT files available for BIM contributions,  
see website for details.

## LEED V4 CREDITS

EA : Optimise Energy Performance  
 MR : Building Product Disclosure  
 EQ : Low-Emitting Materials  
 EQ : Indoor Air Quality Assessment  
 EQ : Daylight  
 EQ : Acoustic Performance

## CERTIFICATIONS

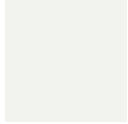
TAIM QS  
 French VOC Regulation: Class A  
 EPD: Available upon request



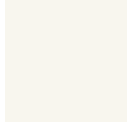
### COLOURS AND FINISHES

Hunter Douglas offers a wide choice of colours and finishes. Custom colour matching is available upon request. Please contact your local Hunter Douglas sales office for minimum quantities and lead times. See website for the most up to date information. Colours are for illustration purposes only.

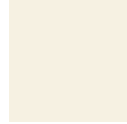
#### STANDARD PAINT COLOURS



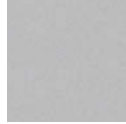
0181  
RAL 9003



0106  
RAL 9016



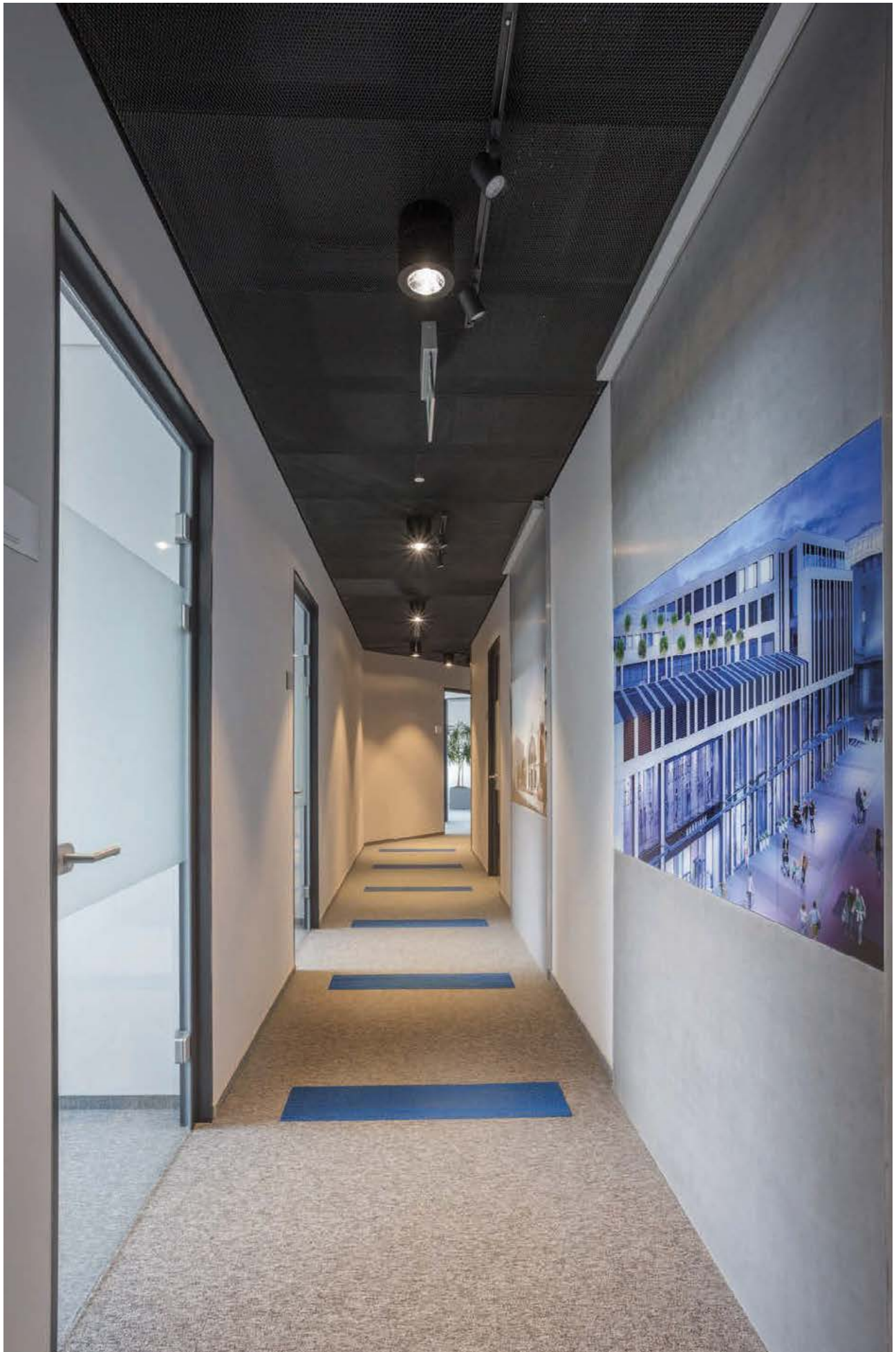
0280  
RAL 9010



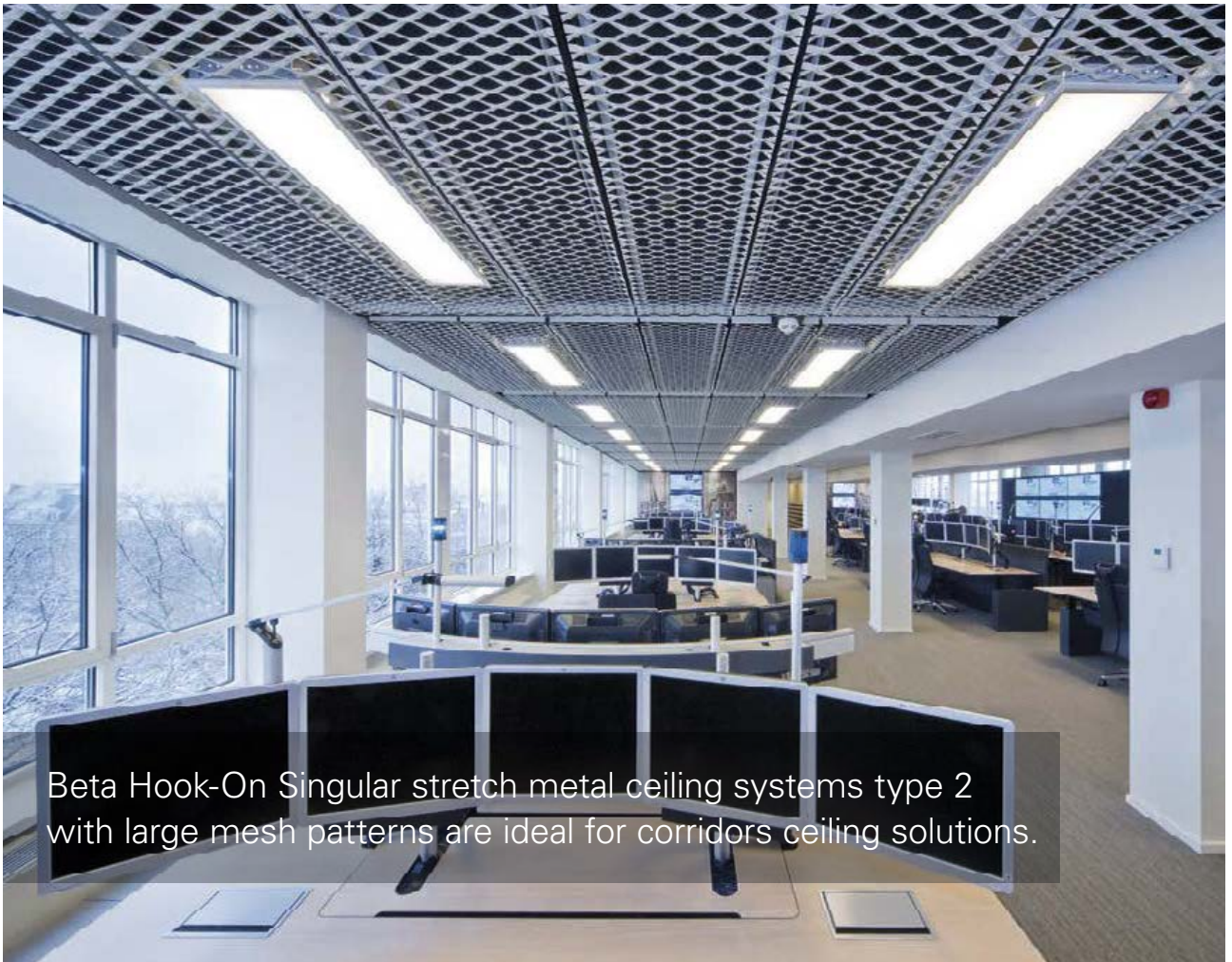
7163  
RAL 9006

#### CUSTOM COLOURS





Project: Royal Wilanów office building, Warsaw, Poland - Product: Stretch Metal Alpha (Hook-On Singular Type 1) - Architect: JEMS Architekci



Beta Hook-On Singular stretch metal ceiling systems type 2 with large mesh patterns are ideal for corridors ceiling solutions.

*Project: RPAA, Control Room Police, Fire en Ambulance, Amsterdam, the Netherlands - Product: Stretch Metal Beta A (Hook-On Singular Type 2)  
Architect: Architectenbureau De Twee Snoeken*

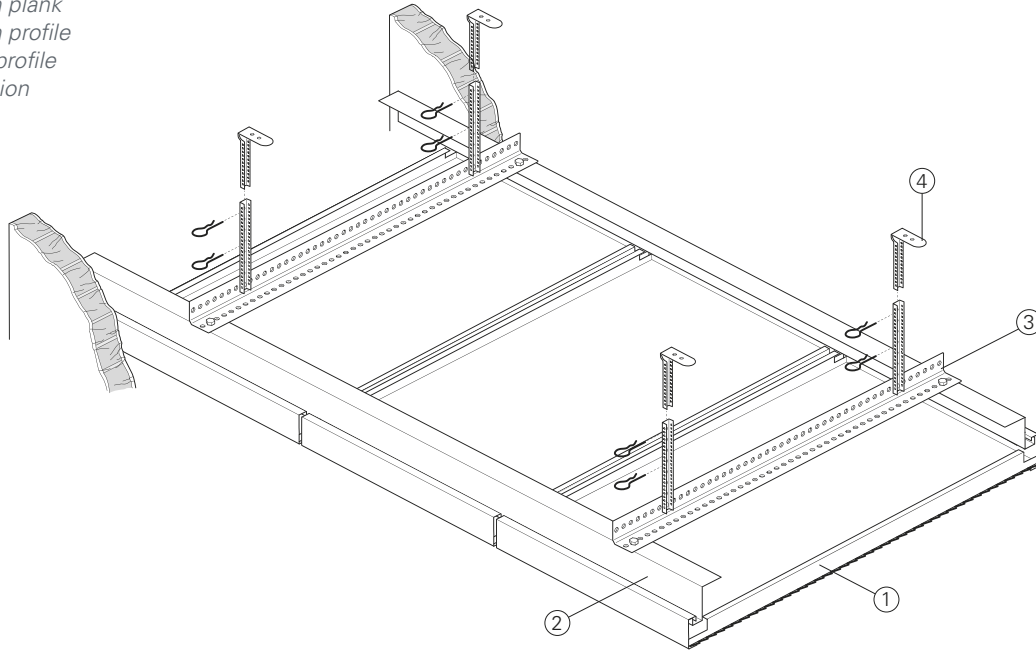
## KEY FEATURES

- Panel sizes:
  - with reinforcement maximum 680 x 2800 mm (depends on mesh type)
- Flat sheets with welded reinforcement profiles
- Mesh panels with lay-on pads for acoustic control
- On site waste reduction with factory fabricated dimensional material
- Downweight: reduce static load with lightweight aluminum or steel
- Hook-On feature allows point-access and 100% access to plenum
- Compatible with industry standard lighting, HVAC, speaker, fire safety, and security services

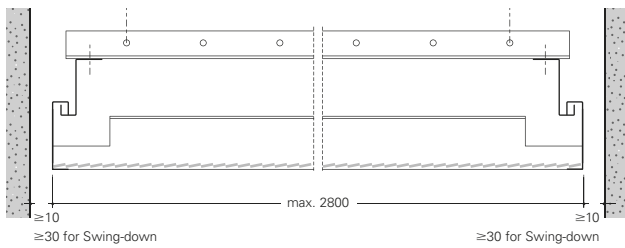


**TYPICAL ISOMETRICS**

- 1 = Hook-On plank
- 2 = Hook-On profile
- 3 = Primary profile
- 4 = Suspension

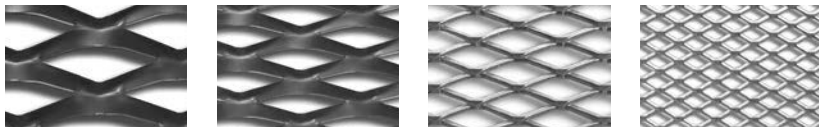


**TYPICAL SECTIONS**



**MESH PATTERNS**

Standard patterns shown. See page 350 for all mesh patterns.  
Scale 1:4



**New York**  
Open area 48%,  
Thickness 1.7 mm  
Dimensions:  
85 x 35 - 11 x 2  
Weight  
(Al) 2.6/3.4 kg/m<sup>2</sup>  
(Fe) 7.8/10.2 kg/m<sup>2</sup>

**Dubai**  
Open area 36%,  
Thickness 1.5 mm  
Dimensions:  
62 x 23 - 8 x 1.5  
Weight  
(Al) 2.7/3.6 kg/m<sup>2</sup>  
(Fe) 8.2/11.2 kg/m<sup>2</sup>

**Moscow**  
Open area 55%,  
Thickness 1.5 mm  
Dimensions:  
28 x 10 - 2 x 1.5  
Weight  
(Al) 1.7/2.4 kg/m<sup>2</sup>  
(Fe) 4.2/6.4 kg/m<sup>2</sup>

**Rotterdam**  
Open area 50%,  
Thickness 1.0 mm  
Dimensions:  
20 x 10 - 2.5 x 1.0  
Weight  
(Al) 2.4 kg/m<sup>2</sup>  
(Fe) 5.4 kg/m<sup>2</sup>

**PHYSICAL DATA**

Substrate: Steel or Aluminium  
Fire rating: Class A1 according EN 13501-1  
Weight: Varies 4.9 - 7.8 kg/m<sup>2</sup>  
Light reflectance (LR) Coefficient:  
- Varies with finish  
- RAL9010: LR = 0.81  
Acoustic ratings:  $\alpha_w$  0.55-1.00: See page 353

**BIM**

REVIT files available for BIM contributions,  
see website for details.

**LEED V4 CREDITS**

- EA : Optimise Energy Performance
- MR : Building Product Disclosure
- EQ : Low-Emitting Materials
- EQ : Indoor Air Quality Assessment
- EQ : Daylight
- EQ : Acoustic Performance

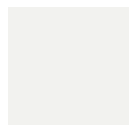
**CERTIFICATIONS**

- TAIM QS
- French VOC Regulation: Class A
- EPD: Available upon request

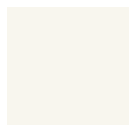
### COLOURS AND FINISHES

Hunter Douglas offers a wide choice of colours and finishes. Custom colour matching is available upon request. Please contact your local Hunter Douglas sales office for minimum quantities and lead times. See website for the most up to date information. Colours are for illustration purposes only.

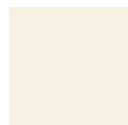
#### STANDARD PAINT COLOURS



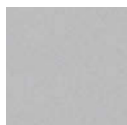
0181  
RAL 9003



0106  
RAL 9016



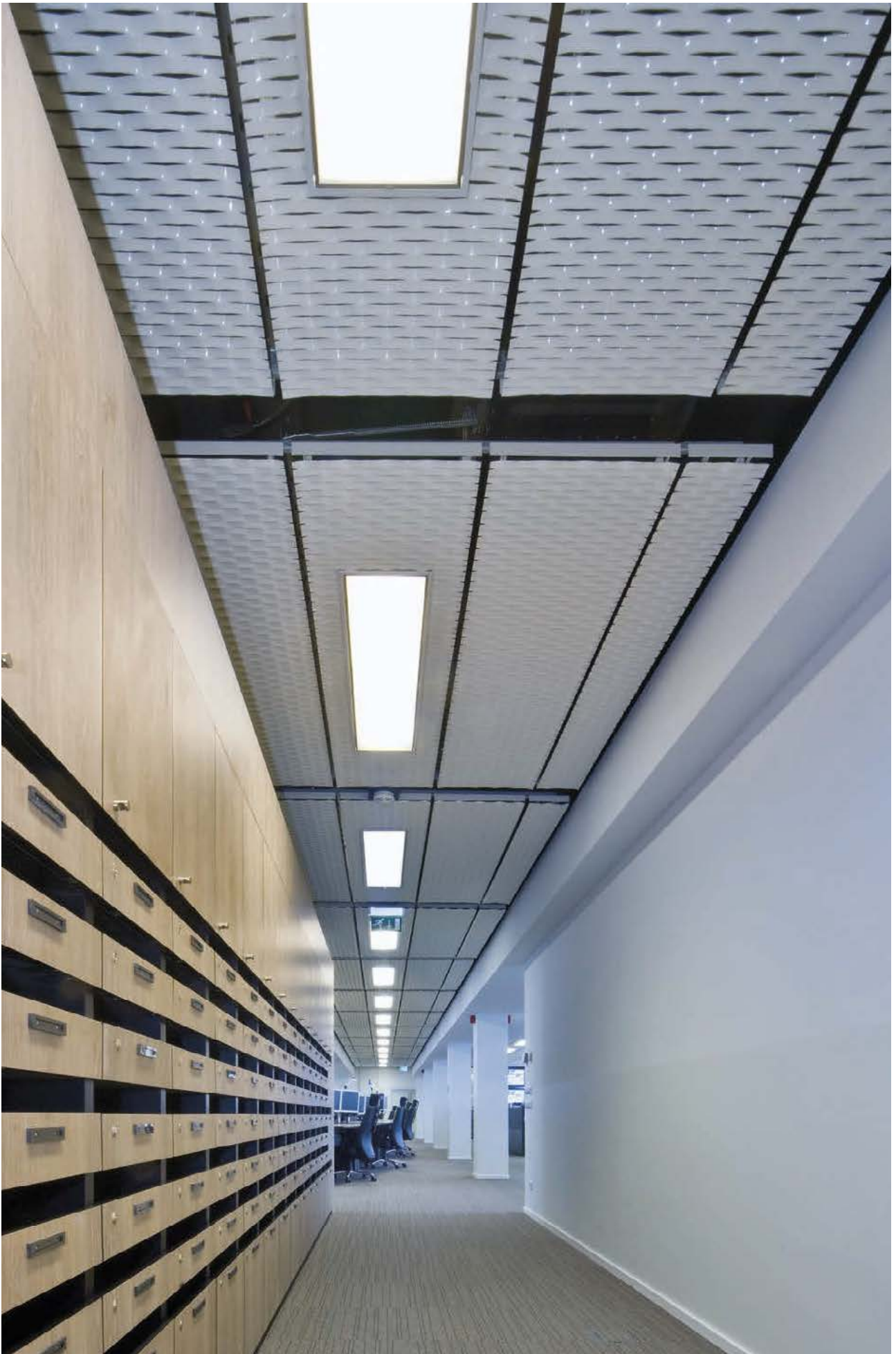
0280  
RAL 9010



7163  
RAL 9006

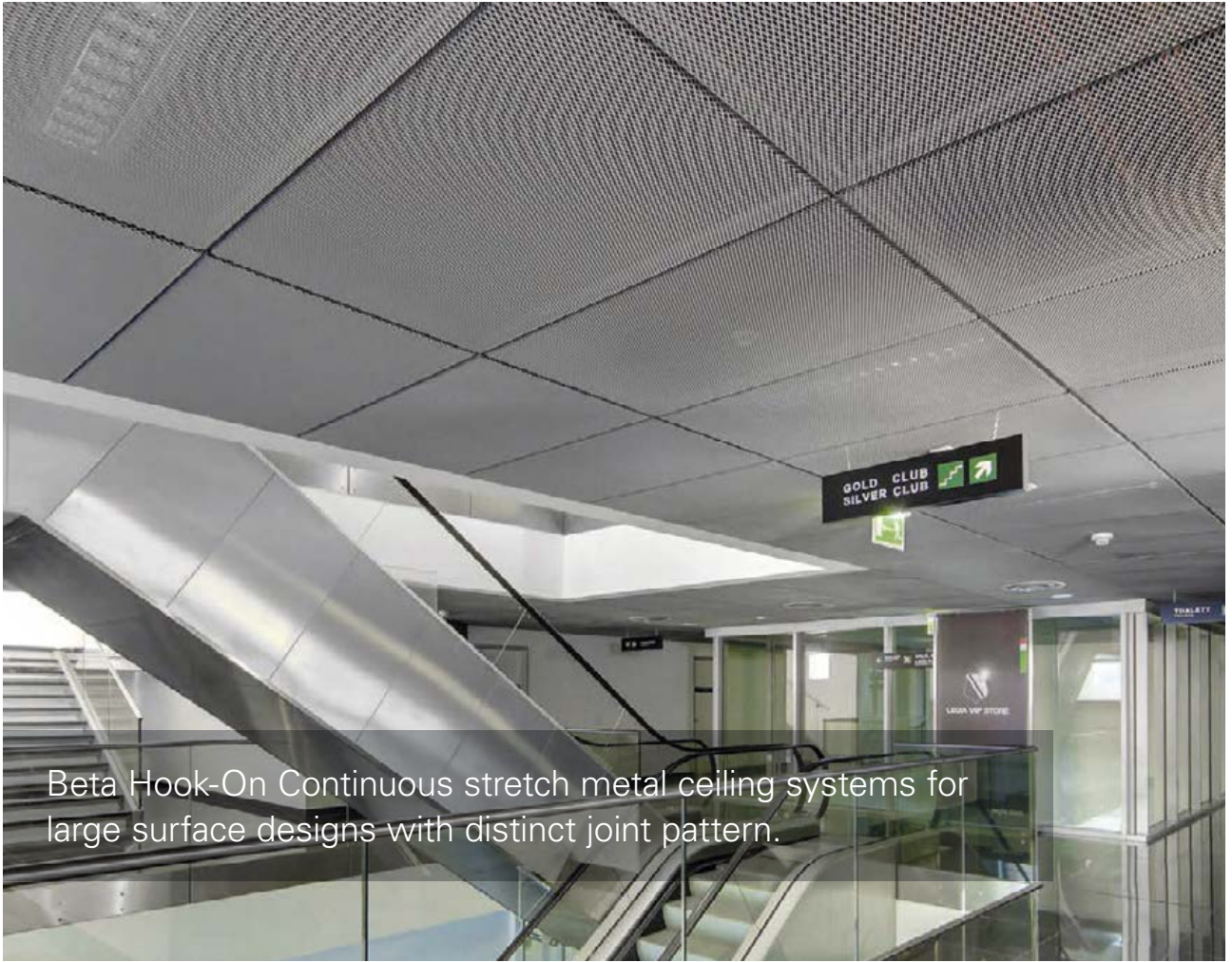
#### CUSTOM COLOURS





Project: RPAA, Control Room Police, Fire en Ambulance, Amsterdam, the Netherlands - Product: Stretch Metal Beta A (Hook-On Singular Type 2)  
Architect: Architectenbureau De Twee Snoeken





Beta Hook-On Continuous stretch metal ceiling systems for large surface designs with distinct joint pattern.

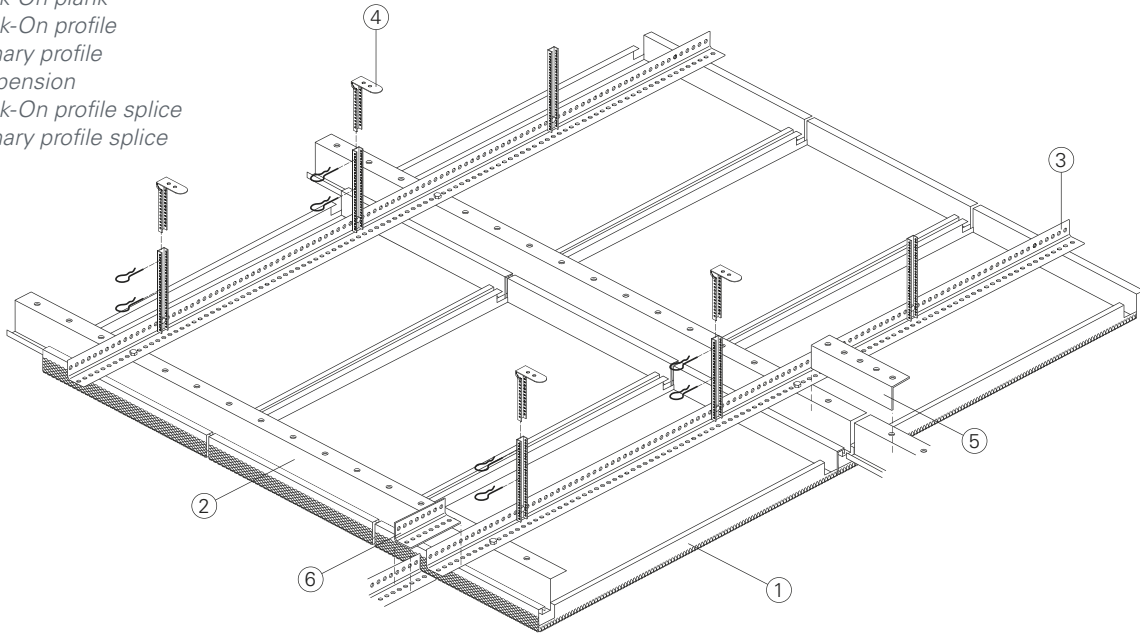
Project: Pepsi Arena Legia Football Stadium, Warsaw, Poland - Product: Stretch Metal Beta B (Hook-On Continuous Type 1) - Architect: JSK

## KEY FEATURES

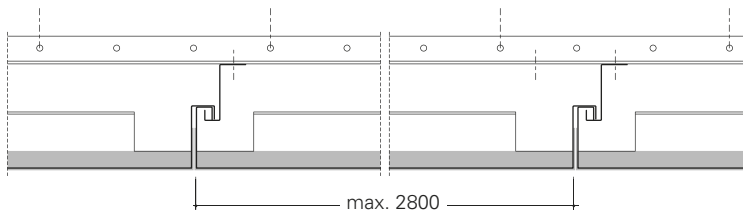
- Panel sizes:
  - with reinforcement maximum 600 x 2800 mm
- Square-edge design
- Mesh panels with lay-on pads for acoustic control
- On site waste reduction with factory fabricated dimensional material
- Downweight: reduce static load with lightweight aluminum or steel
- Easy installation - no fasteners or tools required
- Compatible with industry standard lighting, HVAC, speaker, fire safety, and security services

**TYPICAL ISOMETRICS**

- 1 = Hook-On plank
- 2 = Hook-On profile
- 3 = Primary profile
- 4 = Suspension
- 5 = Hook-On profile splice
- 6 = Primary profile splice

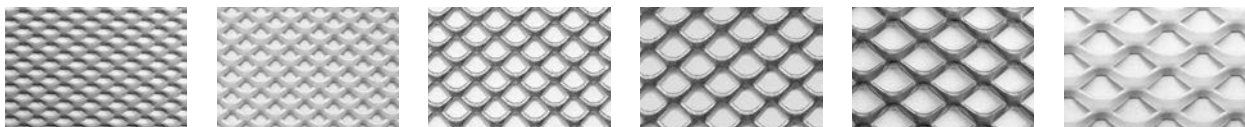


**TYPICAL SECTIONS**



**MESH PATTERNS**

Standard patterns shown. See page 350 for all mesh patterns.  
Scale shown: 1:4.



<p><b>LD6 (Fe)</b> Open area 40%, Thickness 1.7 mm Dimensions: 6 x 3.5 - 1.1 x 0.8 Weight 1.6 kg/m<sup>2</sup></p>	<p><b>LS6 (Fe)</b> Open area 36%, Thickness 1.7 mm Dimensions: 6 x 4.5 - 1.2 x 1.0 Weight 1.3 kg/m<sup>2</sup></p>	<p><b>LS8 (Fe+Al)</b> Open area 54%, Thickness 1.9 mm Dimensions: 8 x 6.0 - 1.2 x 1.0 Weight 1.7 kg/m<sup>2</sup></p>	<p><b>LS10 (Fe)</b> Open area 57%, Thickness 2.0 mm Dimensions: 10 x 7.0 - 1.5 x 1.0 Weight 1.3 kg/m<sup>2</sup></p>	<p><b>LS12 (Fe+Al)</b> Open area 66%, Thickness 2.0 mm Dimensions: 12 x 9.5 - 1.6 x 1.0 Weight 1.7 kg/m<sup>2</sup></p>	<p><b>LS16 (Fe)</b> Open area 46%, Thickness 2.0 mm Dimensions: 16 x 11.0 - 3.0 x 2.0 Weight 2.0 kg/m<sup>2</sup></p>
--	--	---	--	---	---

**PHYSICAL DATA**

Substrate: Steel or Aluminium  
 Fire rating: Class A1 according EN 13501-1  
 Weight: Varies 4.9 - 7.8 kg/m<sup>2</sup>  
 Light reflectance (LR) Coefficient:  
 - Varies with finish  
 - RAL9010: LR = 0.81  
 Acoustic ratings:  $\alpha_w$  0.55-1.00: See page 353

**BIM**

REVIT files available for BIM contributions,  
see website for details.

**LEED V4 CREDITS**

- EA : Optimise Energy Performance
- MR : Building Product Disclosure
- EQ : Low-Emitting Materials
- EQ : Indoor Air Quality Assessment
- EQ : Daylight
- EQ : Acoustic Performance

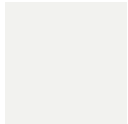
**CERTIFICATIONS**

- TAIM QS
- French VOC Regulation: Class A
- EPD: Available upon request

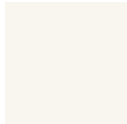
**COLOURS AND FINISHES**

Hunter Douglas offers a wide choice of colours and finishes. Custom colour matching is available upon request. Please contact your local Hunter Douglas sales office for minimum quantities and lead times. See website for the most up to date information. Colours are for illustration purposes only.

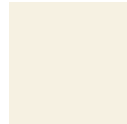
**STANDARD PAINT COLOURS**



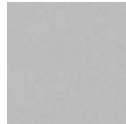
0181  
RAL 9003



0106  
RAL 9016



0280  
RAL 9010

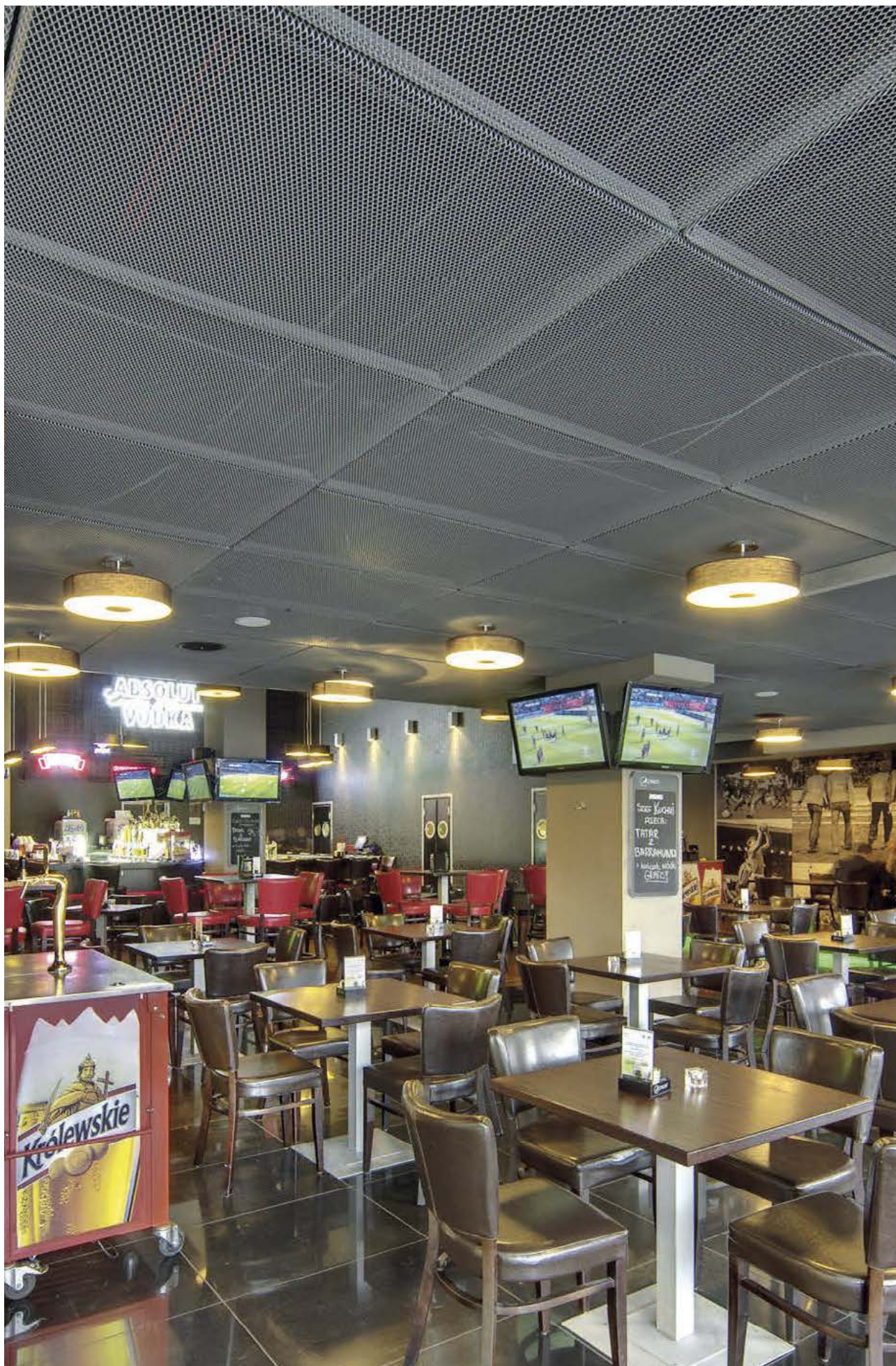


7163  
RAL 9006

**CUSTOM COLOURS**

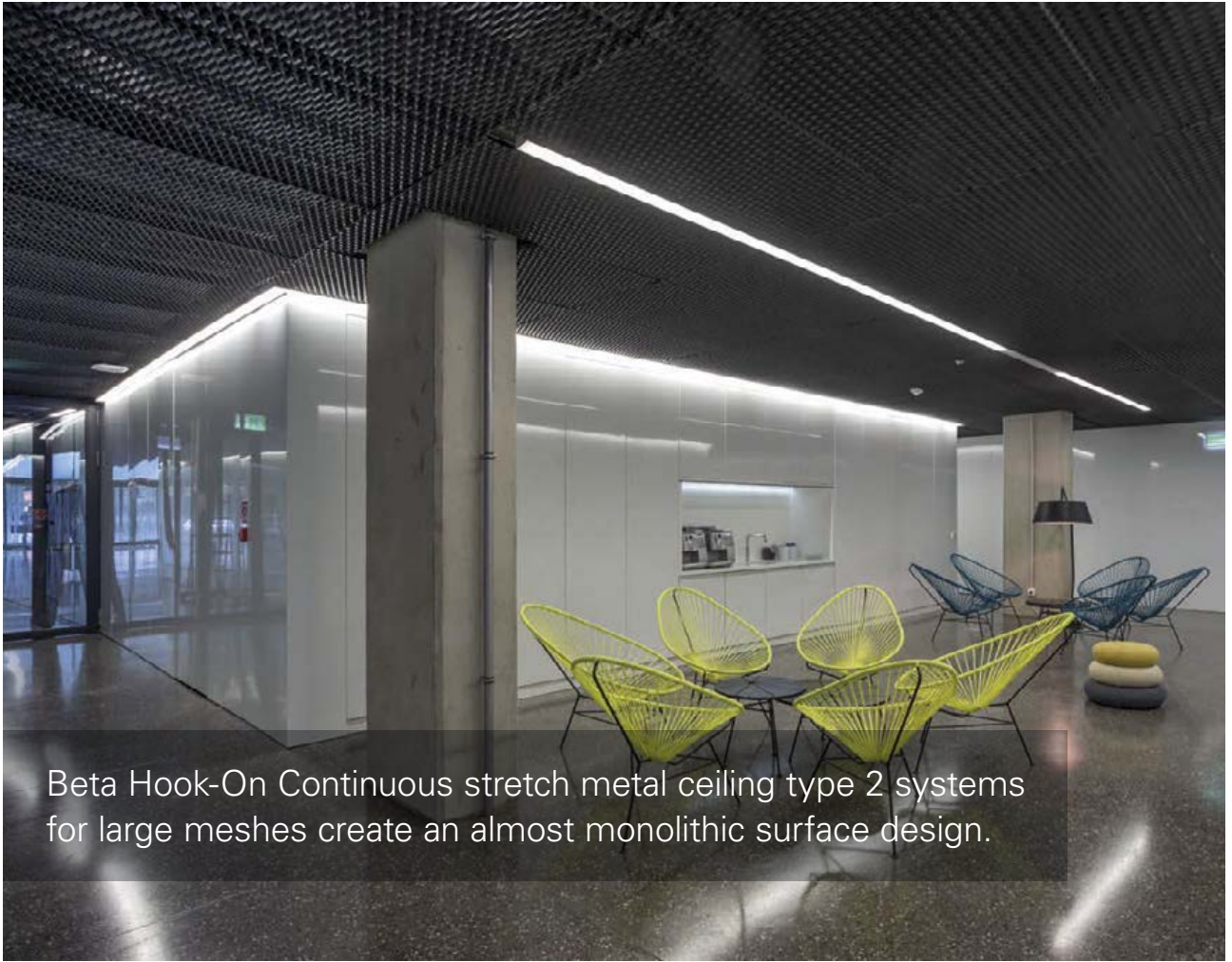






Project: Pepsi Arena Legia Football Stadium, Warsaw, Poland - Product: Stretch Metal Beta B (Hook-On Continuous Type 1) - Architect: JSK





Beta Hook-On Continuous stretch metal ceiling type 2 systems for large meshes create an almost monolithic surface design.

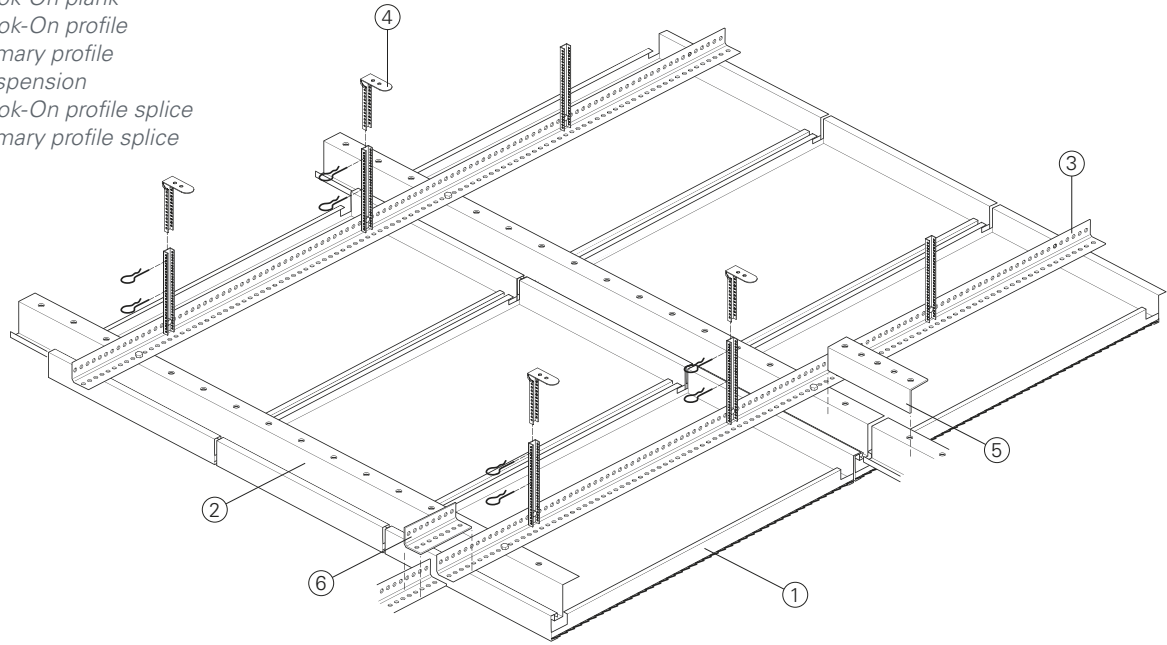
Project: Pixel, Poznan, Poland - Product: Stretch Metal Beta B (Hook-On Continuous Type 2) - Architect: JEMS Architekci

## KEY FEATURES

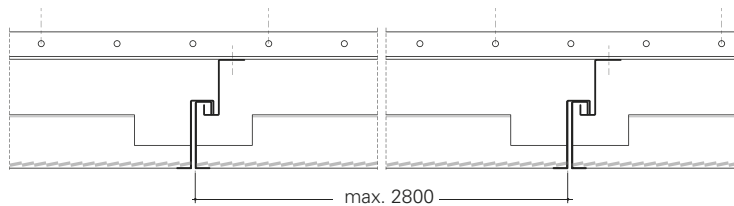
- Panel sizes:
  - with reinforcement maximum 680 x 2800 mm (depends on mesh type)
- Flat sheets with welded reinforcement profiles
- Mesh panels with lay-on pads for acoustic control
- On site waste reduction with factory fabricated dimensional material
- Downweight: reduce static load with lightweight aluminum or steel
- Easy plenum access
- Compatible with industry standard lighting, HVAC, speaker, fire safety, and security services

**TYPICAL ISOMETRICS**

- 1 = Hook-On plank
- 2 = Hook-On profile
- 3 = Primary profile
- 4 = Suspension
- 5 = Hook-On profile splice
- 6 = Primary profile splice

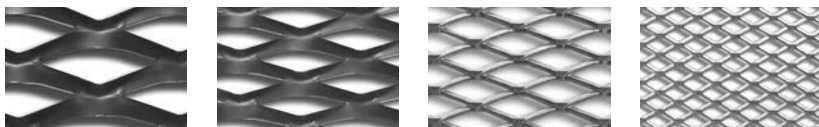


**TYPICAL SECTIONS**



**MESH PATTERNS**

Standard patterns shown. See page 350 for all mesh patterns.  
Scale 1:4



**New York**  
Open area 48%,  
Thickness 1.7 mm  
Dimensions:  
85 x 35 - 11 x 2  
Weight  
(Al) 2.6/3.4 kg/m<sup>2</sup>  
(Fe) 7.8/10.2 kg/m<sup>2</sup>

**Dubai**  
Open area 36%,  
Thickness 1.5 mm  
Dimensions:  
62 x 23 - 8 x 1.5  
Weight  
(Al) 2.7/3.6 kg/m<sup>2</sup>  
(Fe) 8.2/11.2 kg/m<sup>2</sup>

**Moscow**  
Open area 55%,  
Thickness 1.5 mm  
Dimensions:  
28 x 10 - 2 x 1.5  
Weight  
(Al) 1.7/2.4 kg/m<sup>2</sup>  
(Fe) 4.2/6.4 kg/m<sup>2</sup>

**Rotterdam**  
Open area 50%,  
Thickness 1.0 mm  
Dimensions:  
20 x 10 - 2.5 x 1.0  
Weight  
(Al) 2.4 kg/m<sup>2</sup>  
(Fe) 5.4 kg/m<sup>2</sup>

**PHYSICAL DATA**

Substrate: Steel or Aluminium  
Fire rating: Class A1 according EN 13501-1  
Weight: Varies 4.9 - 7.8 kg/m<sup>2</sup>  
Light reflectance (LR) Coefficient:  
- Varies with finish  
- RAL9010: LR = 0.81  
Acoustic ratings:  $\alpha_w$  0.55-1.00: See page 353

**BIM**

REVIT files available for BIM contributions,  
see website for details.

**LEED V4 CREDITS**

- EA : Optimise Energy Performance
- MR : Building Product Disclosure
- EQ : Low-Emitting Materials
- EQ : Indoor Air Quality Assessment
- EQ : Daylight
- EQ : Acoustic Performance

**CERTIFICATIONS**

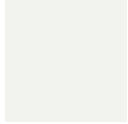
- TAIM QS
- French VOC Regulation: Class A
- EPD: Available upon request



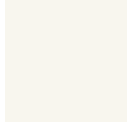
**COLOURS AND FINISHES**

Hunter Douglas offers a wide choice of colours and finishes. Custom colour matching is available upon request. Please contact your local Hunter Douglas sales office for minimum quantities and lead times. See website for the most up to date information. Colours are for illustration purposes only.

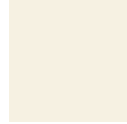
**STANDARD PAINT COLOURS**



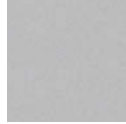
0181  
RAL 9003



0106  
RAL 9016



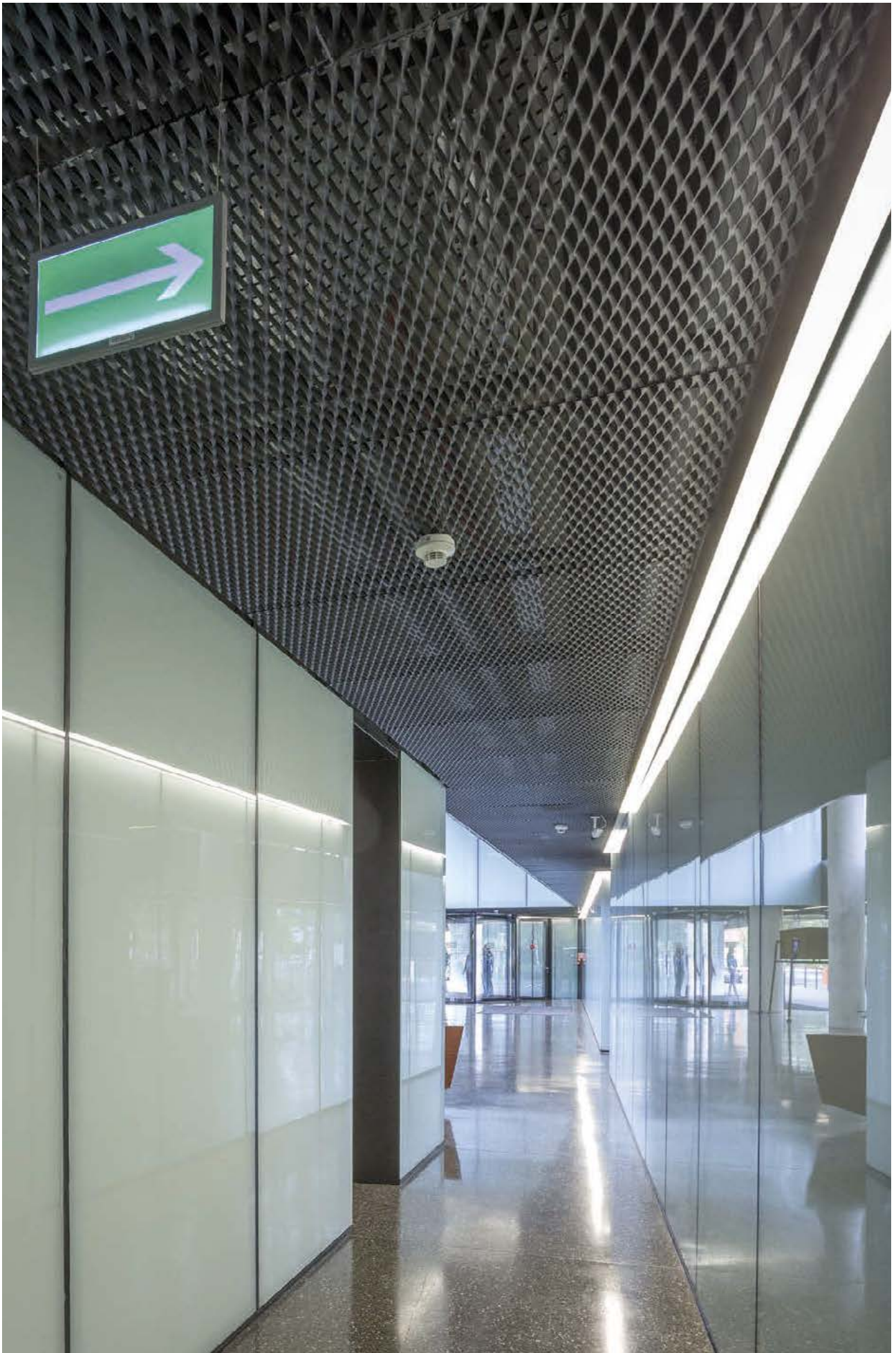
0280  
RAL 9010



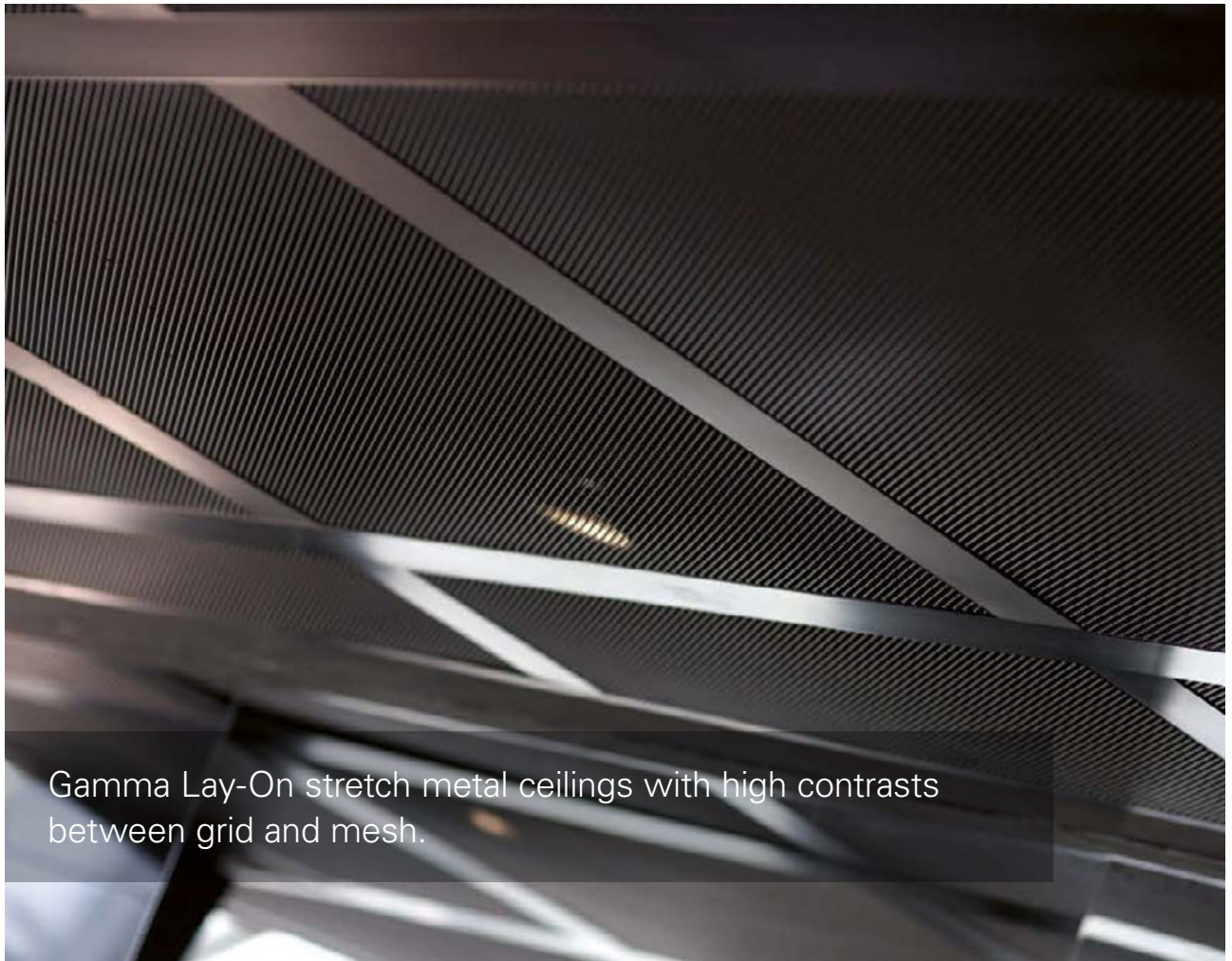
7163  
RAL 9006

**CUSTOM COLOURS**





Project: Pixel, Poznan, Poland - Product: Stretch Metal Beta B (Hook-On Continuous Type 2) - Architect: JEMS Architekci



Gamma Lay-On stretch metal ceilings with high contrasts between grid and mesh.

*Project: Raffles Hotel, Dubai, United Arab Emirates - Product: Stretch Metal Gamma (Lay-On) - Architect : Arif & Bin Toak*

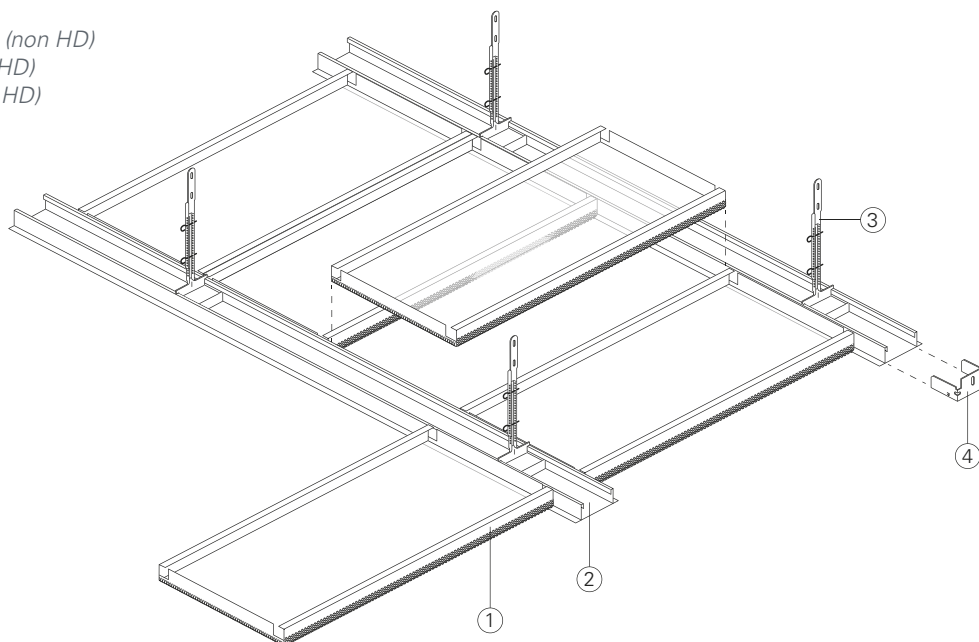
## KEY FEATURES

- Panel sizes:
  - without reinforcement maximum 500 x 1200 mm
  - with reinforcement maximum 600 x 2800 mm
- Square-edge design
- Mesh panels with lay-on pads for acoustic control
- On site waste reduction with factory fabricated dimensional material
- Downweight: reduce static load with lightweight aluminum or steel
- Easy installation - no fasteners or tools required
- Compatible with industry standard lighting, HVAC, speaker, fire safety, and security services

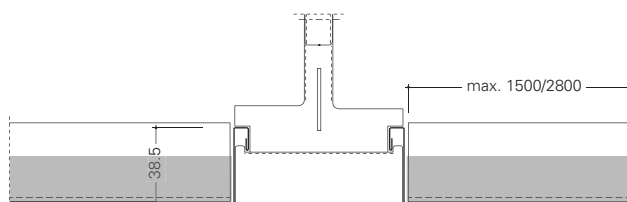


**TYPICAL ISOMETRICS**

- 1 = Lay-On Plank
- 2 = Bandraster profile (non HD)
- 3 = Suspension (non HD)
- 4 = Wall bracket (non HD)

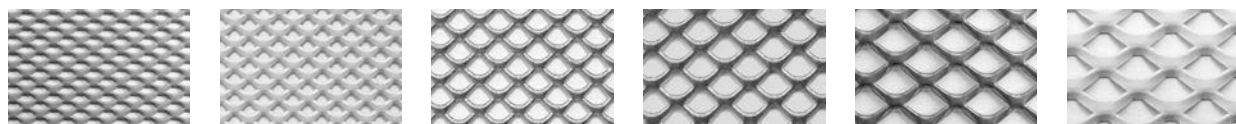


**TYPICAL SECTIONS**



**MESH PATTERNS**

Standard patterns shown. See page 350 for all mesh patterns.  
Scale shown: 1:4.



<p><b>LD6 (Fe)</b> Open area 40%, Thickness 1.7 mm Dimensions: 6 x 3.5 - 1.1 x 0.8 Weight 1.6 kg/m<sup>2</sup></p>	<p><b>LS6 (Fe)</b> Open area 36%, Thickness 1.7 mm Dimensions: 6 x 4.5 - 1.2 x 1.0 Weight 1.3 kg/m<sup>2</sup></p>	<p><b>LS8 (Fe+Al)</b> Open area 54%, Thickness 1.9 mm Dimensions: 8 x 6.0 - 1.2 x 1.0 Weight 1.7 kg/m<sup>2</sup></p>	<p><b>LS10 (Fe)</b> Open area 57%, Thickness 2.0 mm Dimensions: 10 x 7.0 - 1.5 x 1.0 Weight 1.3 kg/m<sup>2</sup></p>	<p><b>LS12 (Fe+Al)</b> Open area 66%, Thickness 2.0 mm Dimensions: 12 x 9.5 - 1.6 x 1.0 Weight 1.7 kg/m<sup>2</sup></p>	<p><b>LS16 (Fe)</b> Open area 46%, Thickness 2.0 mm Dimensions: 16 x 11.0 - 3.0 x 2.0 Weight 2.0 kg/m<sup>2</sup></p>
--	--	---	--	---	---

**PHYSICAL DATA**

Substrate: Steel or Aluminium  
 Fire rating: Class A1 according EN 13501-1  
 Weight: Varies 4.9 - 7.8 kg/m<sup>2</sup>  
 Light reflectance (LR) Coefficient:  
 - Varies with finish  
 - RAL9010: LR = 0.81  
 Acoustic ratings:  $\alpha_w$  0.55-1.00: See page 353

**BIM**  
 REVIT files available for BIM contributions,  
 see website for details.

**LEED V4 CREDITS**

- EA : Optimise Energy Performance
- MR : Building Product Disclosure
- EQ : Low-Emitting Materials
- EQ : Indoor Air Quality Assessment
- EQ : Daylight
- EQ : Acoustic Performance

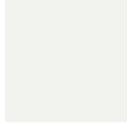
**CERTIFICATIONS**

TAIM QS  
 French VOC Regulation: Class A  
 EPD: Available upon request

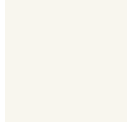
## COLOURS AND FINISHES

Hunter Douglas offers a wide choice of colours and finishes. Custom colour matching is available upon request. Please contact your local Hunter Douglas sales office for minimum quantities and lead times. See website for the most up to date information. Colours are for illustration purposes only.

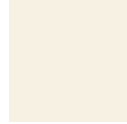
### STANDARD PAINT COLOURS



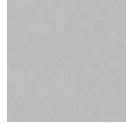
0181  
RAL 9003



0106  
RAL 9016



0280  
RAL 9010



7163  
RAL 9006

### CUSTOM COLOURS





Project: Raffles Hotel, Dubai, United Arab Emirates - Product: Stretch Metal Gamma (Lay-On) - Architect : Arif & Bin Toak





HunterDouglas® XL50 ceiling panels are based on composite technology that originates from the aircraft industry. This state of the art technology results in lightweight and extremely flat ceiling panels.

*Project: Lario Centre - Bennet, Tavernola, Italy - Product: QuadroClad® Acoustic panels XL50 - Architect: Progetto CMR*

## QUADROCLAD® ACOUSTIC

QuadroClad® Acoustic Panels are based on composite technology that originates from the aircraft industry. The lightweight (micro) perforated skins are fused to a honeycomb aluminium core, that has been designed to meet the architect's demand for high quality, extremely flat and extra-large sized ceiling systems. The QuadroClad® Acoustic panel method of construction allows the designer to virtually ignore the span of the material and provides them with an enormous amount of freedom when creating their designs.

### XL50

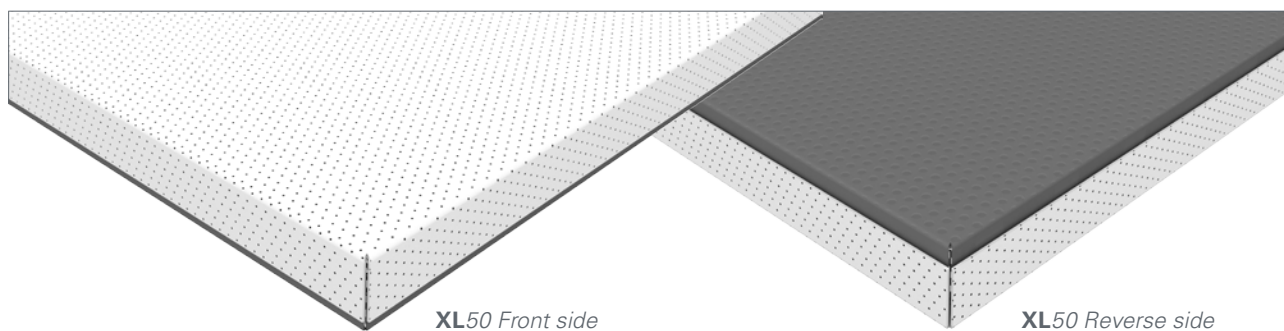
QuadroClad® XL50, our BASIC panel, is a high quality panel that delivers strong acoustic performance along with design flexibility and durability. Custom shapes, curves, clouds, baffles, planks and tapered panels, a variety of joint options and an extensive range of colours give you unparalleled creative freedom.

## KEY FEATURES

- Superior flatness
- Easy installation
- Big panel size
- High panel quality
- Smooth appearance
- Fire retardant
- Curved solutions



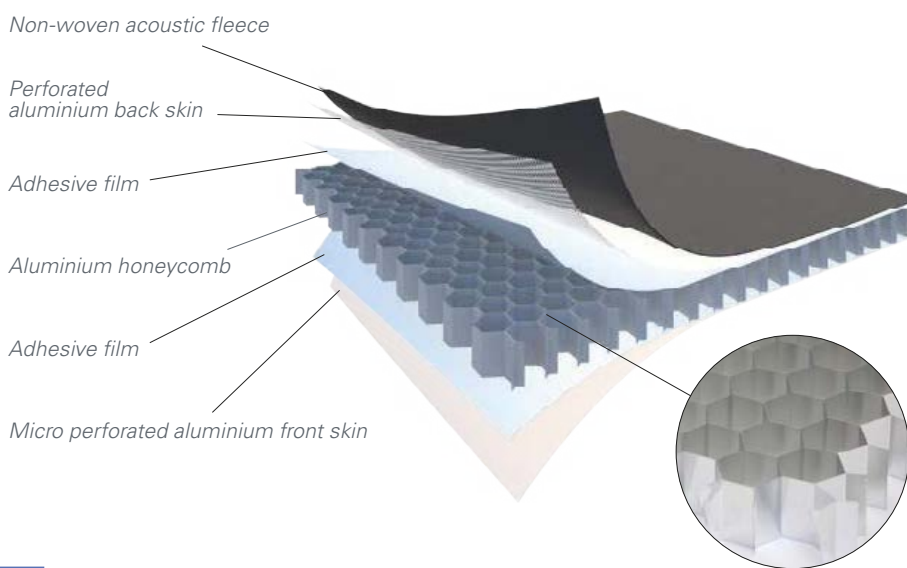
**TYPICAL ISOMETRICS**



XL50 Front side

XL50 Reverse side

**ALUMINIUM HONEYCOMB**



Honeycomb aluminium core

**PERFORATION PATTERNS**

Standard patterns shown. See page 350 for all perforation patterns. Scale shown: 1:1, unless otherwise noted.

Plain	Front side D0804 Ø 0.8 mm 5 ⇄ 8.66 Openness 3.6%	Reverse side D3033 Ø 3 mm 5 ⇄ 5 Openness 32,6%

**PHYSICAL DATA** (Can vary per system)

**Aluminium skins:**

Alloy : EN AW3005, H4

Thickness: Front skin: 0.7 mm  
Back skin: 0.7 mm

Perforation: Front skin Ø 0.8 T4  
Back skin Ø 3.0 T5

Coatings: Coil Coated and Powder Coated

Colours: Any colours to match RAL, NCS, BS and other finishes on request

**Aluminium Honeycomb Core:**

- Alloy: EN AW3003
- Foil thickness: 0.058 mm
- Cell size: 12

Adhesive: 1 component temperature cured PU glue

Weight: Varies 6.5 - 13.3 kg/m<sup>2</sup>

Acoustic rating:  $\alpha_w$  0.75: See page 353

**Panel size**

**Module width:**

- Perforated - 1250 mm
- Plain - 1500 mm

**Module length:**

- Perforated - 2500 mm
- Plain - 6500 mm

Thickness: 15 - 50 mm as standard

**COLOURS AND FINISHES**

Hunter Douglas offers a wide choice of colours and finishes. Custom colour matching is available upon request. Please contact your local Hunter Douglas sales office for minimum quantities and lead times. See website for the most up to date information. Colours are for illustration purposes only.

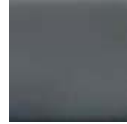
**SOLID COLOURS**



Traffic White



Stone Grey



Anthracite Grey



Marine Blue



Neutron Red

**CUSTOM COLOURS**



**SPARKLING MICA**



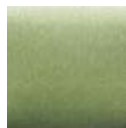
Onyx White Purple



Onyx White Blue



Pyrite Gold Silver



Pyrite Red Green



Amethyst Purple Red

**NATURAL - ANODISED ALUMINIUM**



Bright Brushed



Anodised Brushed



Champagne Brushed



New Gold Brushed



Redzinc Brushed

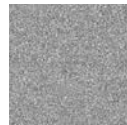
**AMAZING METALLIC**



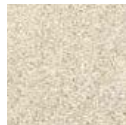
Brilliant Silver Metallic



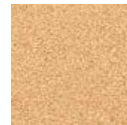
Brilliant Champagne Metallic



Dark Anthracite Metallic



Pearl Beige Metallic



Dark Copper Metallic

**DESIGNS AND SPECIALS**



Travertin Classic



Royal Wengè



Titanzinc Futura



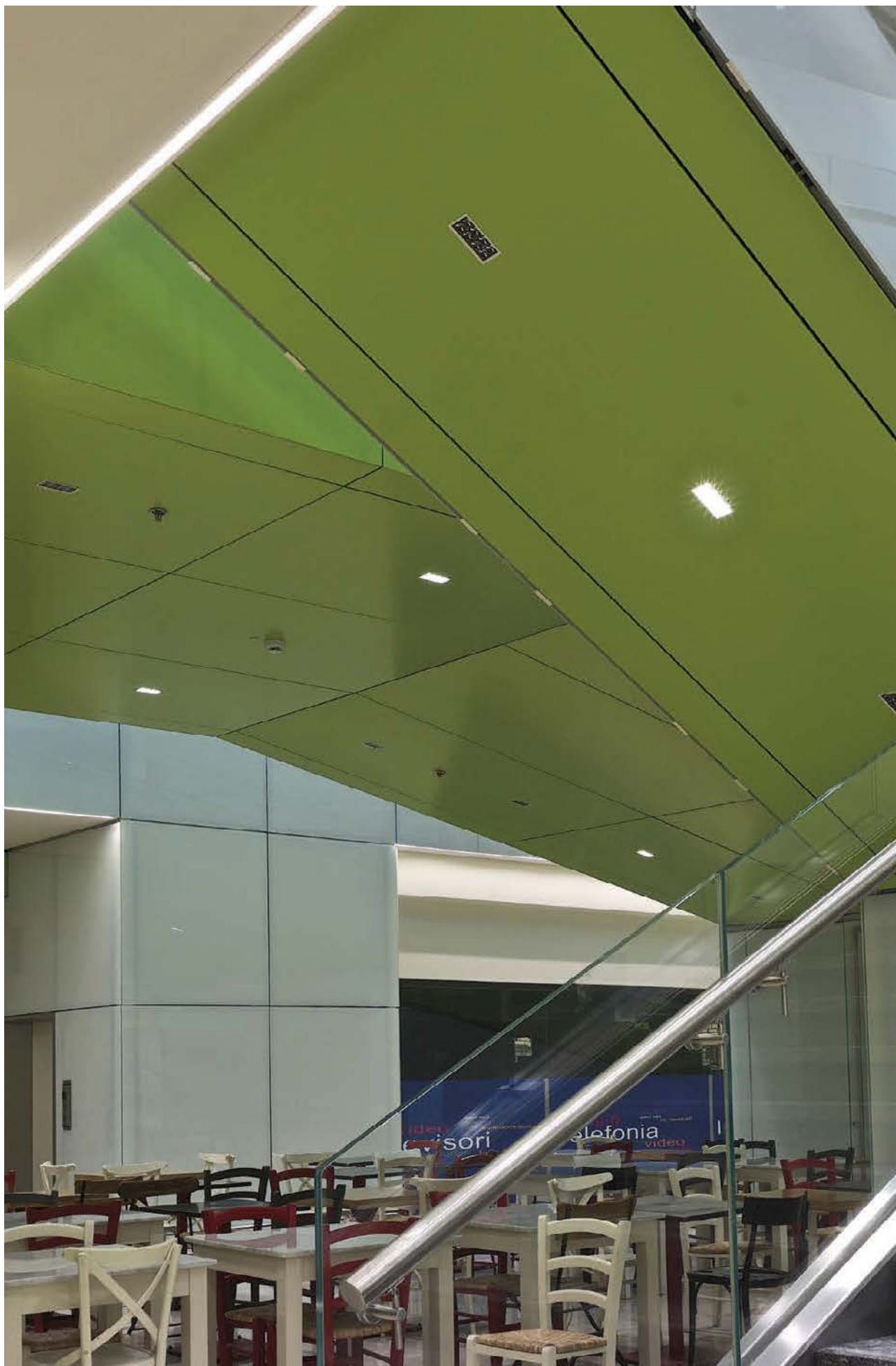
Carbon Zoom



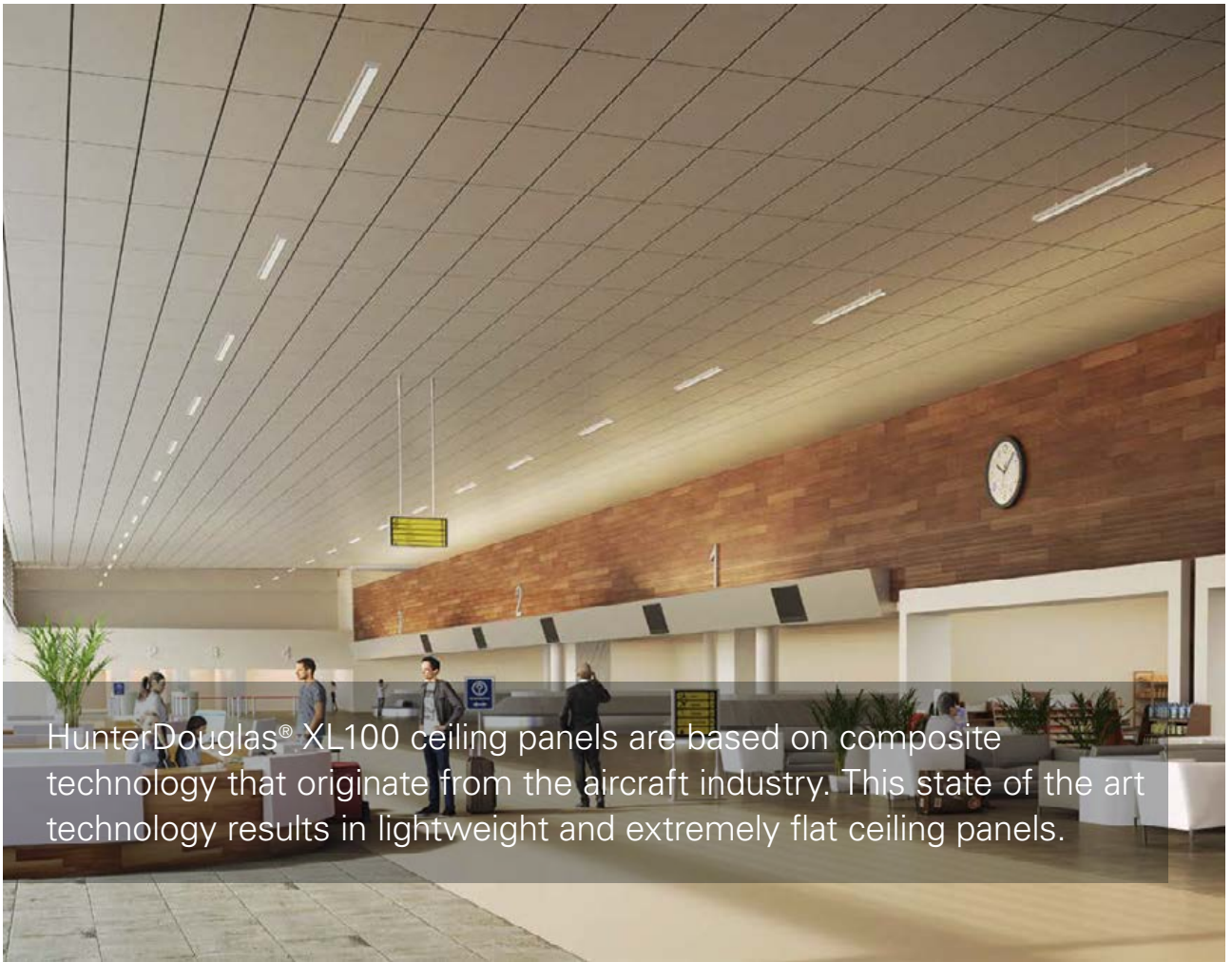
Perforated Metal

Buildings are defined by form and design. Often they are the product of an architect's inspirational vision. At Hunter Douglas our mission is to help designers realise that vision, by providing them with a palette of colours, materials and surface finishes that will inspire their creativity. Colours are available in different gloss units as well as high gloss and matt finishes.





Project: Lario Centre - Bennet, Tavernola, Italy - Product: QuadroClad® Acoustic panels XL50 - Architect: Progetto CMR



HunterDouglas® XL100 ceiling panels are based on composite technology that originates from the aircraft industry. This state of the art technology results in lightweight and extremely flat ceiling panels.

Project: Visualisation Public Space - Product: QuadroClad® Acoustic panels XL100

## QUADROCLAD® ACOUSTIC

QuadroClad® Acoustic Panels are based on composite technology that originates from the aircraft industry. The lightweight (micro) perforated skins are fused to a honeycomb aluminium core, that has been designed to meet the architect's demand for high quality, extremely flat and extra-large sized ceiling systems. The QuadroClad® Acoustic panel method of construction allows designers to virtually ignore the span of the material and provides them with an enormous amount of freedom when creating their designs.

### XL100

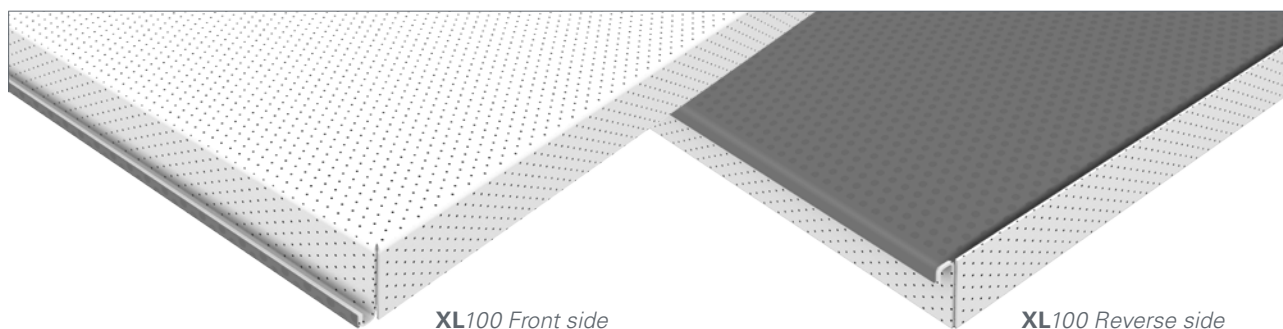
QuadroClad® XL100 is our EASY panel, its roll formed edge on two sides guarantees an easy installation when using the fixing clamps supplied. The clamp cover provides an optical 25 mm closed joint, which can be coloured to create an even more striking visual effect. The XL100 is perfectly suitable for large ceiling projects, where same sizes are desirable.

## KEY FEATURES

- Superior flatness
- Easy installation
- Big panel size
- High panel quality
- Smooth appearance
- Fire retardant
- Curved solutions
- Closed (contrasting) joints possible



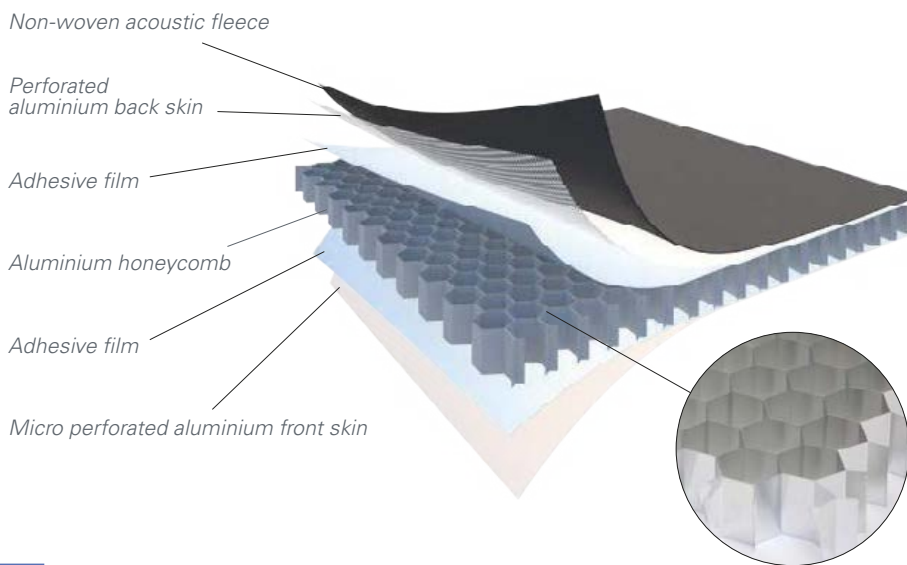
**TYPICAL ISOMETRICS**



XL100 Front side

XL100 Reverse side

**ALUMINIUM HONEYCOMB**



Honeycomb aluminium core

**PERFORATION PATTERNS**

Standard patterns shown. See page 350 for all perforation patterns. Scale shown: 1:1, unless otherwise noted.

Plain	Front side D0804 Ø 0.8 mm 5 ⇄ 8.66 Openness 3.6%	Reverse side D3033 Ø 3 mm 5 ⇄ 5 Openness 32,6%

**PHYSICAL DATA** (Can vary per system)

**Aluminium skins:**

Alloy : EN AW3005, H4

Thickness: Front skin: 0.7 mm  
Back skin: 0.7 mm

Perforation: Front skin Ø 0.8 T4  
Back skin Ø 3.0 T5

Coatings: Coil Coated and Powder Coated

Colours: Any colours to match RAL, NCS, BS and other finishes on request

**Aluminium Honeycomb Core:**

- Alloy: EN AW3003
- Foil thickness: 0.058 mm
- Cell size: 12

Adhesive: 1 component temperature cured PU glue

Weight: Varies 6.5 - 13.3 kg/m<sup>2</sup>

Acoustic rating :  $\alpha_w$  0.75: See page 353

**Panel size**

**Module width:**

- Perforated - 1250 mm
- Plain - 1500 mm

**Module length:**

- Perforated - 2500 mm
- Plain - 6500 mm

Thickness: 15 - 50 mm as standard



**COLOURS AND FINISHES**

Hunter Douglas offers a wide choice of colours and finishes. Custom colour matching is available upon request. Please contact your local Hunter Douglas sales office for minimum quantities and lead times. See website for the most up to date information. Colours are for illustration purposes only.

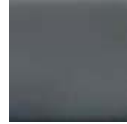
**SOLID COLOURS**



Traffic White



Stone Grey



Anthracite Grey



Marine Blue



Neutron Red

**CUSTOM COLOURS**



**SPARKLING MICA**



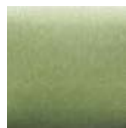
Onyx White Purple



Onyx White Blue



Pyrite Gold Silver



Pyrite Red Green



Amethyst Purple Red

**NATURAL - ANODISED ALUMINIUM**



Bright Brushed



Anodised Brushed



Champagne Brushed



New Gold Brushed



Redzinc Brushed

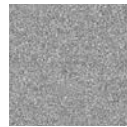
**AMAZING METALLIC**



Brilliant Silver Metallic



Brilliant Champagne Metallic



Dark Anthracite Metallic



Pearl Beige Metallic



Dark Copper Metallic

**DESIGNS AND SPECIALS**



Travertin Classic



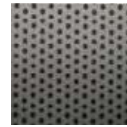
Royal Wengè



Titanzinc Futura



Carbon Zoom

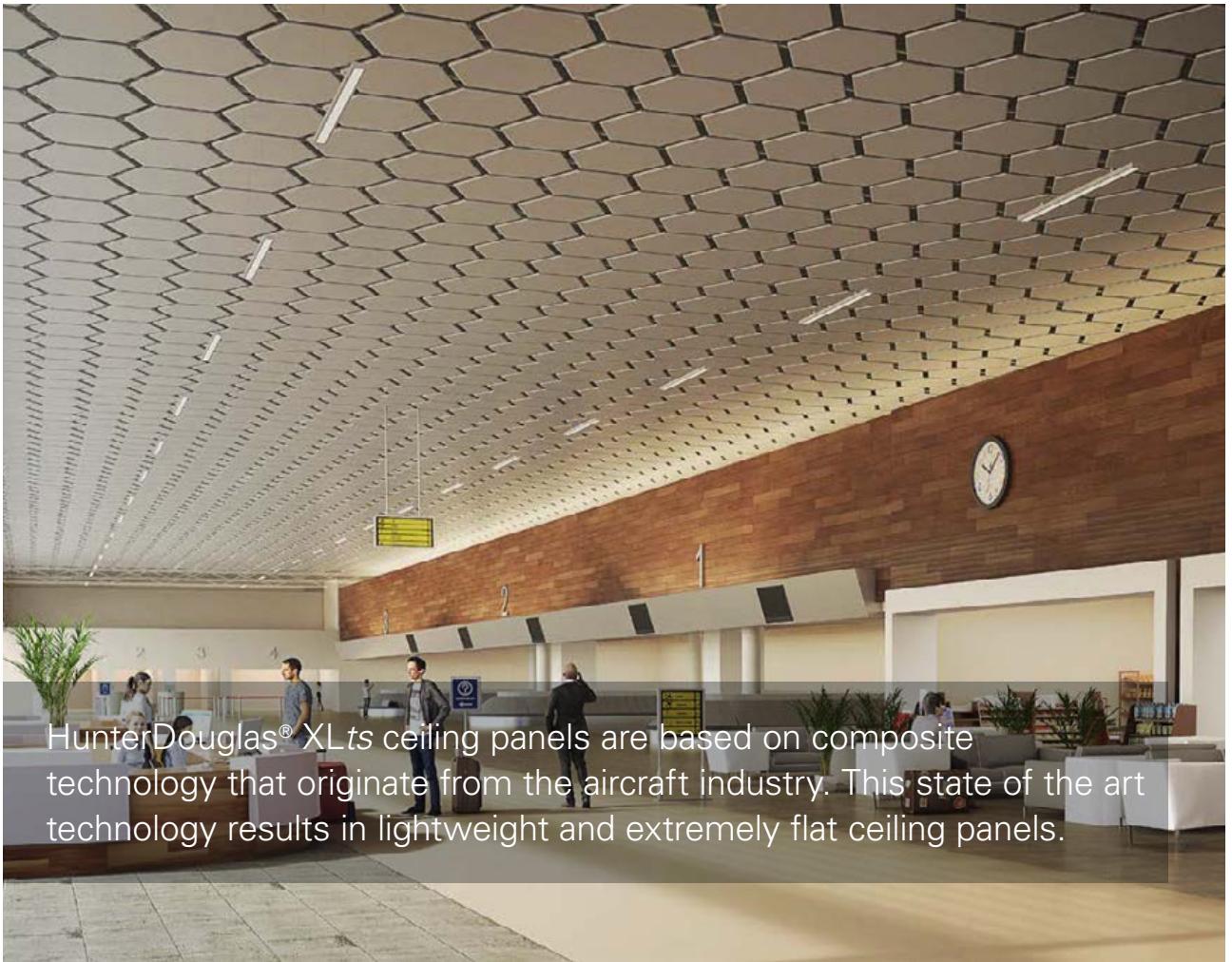


Perforated Metal

Buildings are defined by form and design. Often they are the product of an architect's inspirational vision. At Hunter Douglas our mission is to help designers realise that vision, by providing them with a palette of colours, materials and surface finishes that will inspire their creativity. Colours are available in different gloss units as well as high gloss and matt finishes.



Project: Doha Convention Centre, Doha, Qatar - Product: QuadroClad® Acoustic panels XL100 - Architect:Murphy/Jahn Architects LLC



HunterDouglas® XLts ceiling panels are based on composite technology that originate from the aircraft industry. This state of the art technology results in lightweight and extremely flat ceiling panels.

Project: Visualisation Public Space - Product: QuadroClad® Acoustic panels XLts (Torsion-Spring)

## QUADROCLAD® ACOUSTIC

QuadroClad® Acoustic Panels are based on composite technology that originates from the aircraft industry. The lightweight (micro) perforated skins are fused to a honeycomb aluminium core, that has been designed to meet the architect's demand for high quality, extremely flat and extra-large sized ceiling systems. The QuadroClad® Acoustic panel method of construction allows designers to virtually ignore the span of the material and provides them with an enormous amount of freedom when creating their designs.

### XLts

Our QuadroClad® Torsion-Spring metal ceiling delivers style and ease with its versatile carrier/grid system. Both flat and curved panels swing down ensuring safe access to the plenum. The **XLts** is a ceiling solution with reliable, easy to install substructure. Each ceiling panel can be swung down along the suspension profile in either direction for maintenance work. Large-size concealed panels offer a monolithic visual with 100% downward accessibility.

## KEY FEATURES

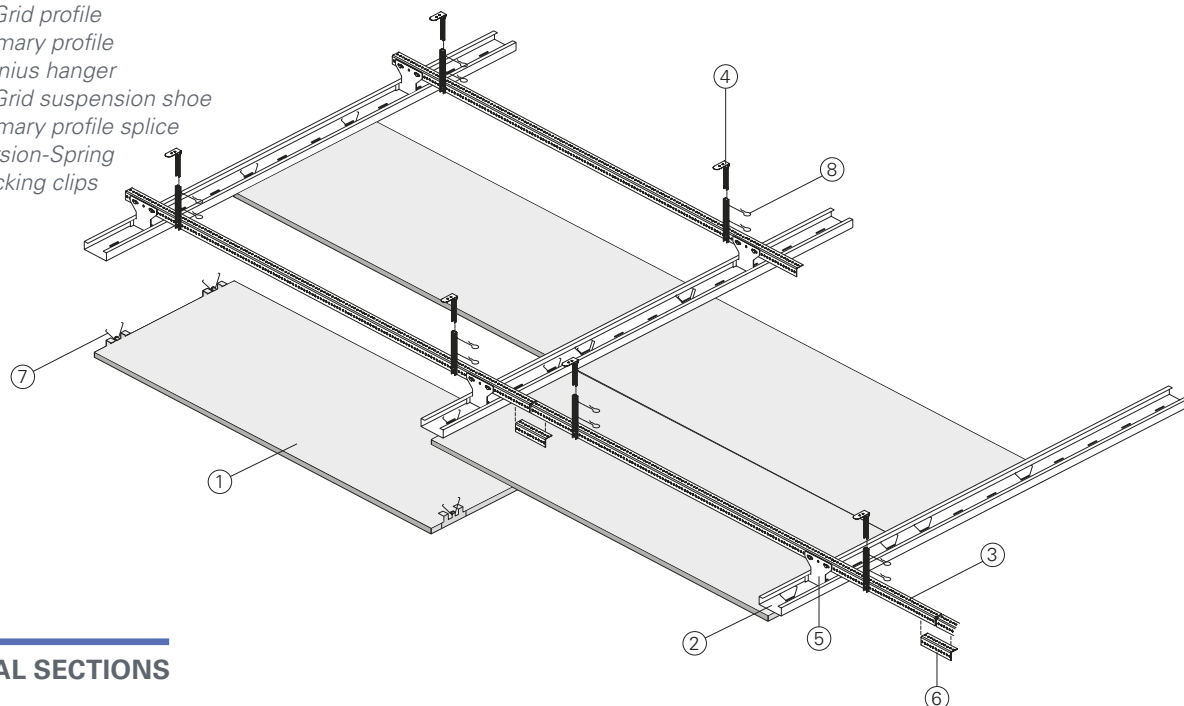
- Superior flatness
- Easy installation
- Big panel size
- High panel quality
- Smooth appearance
- Fire retardant
- Curved solutions



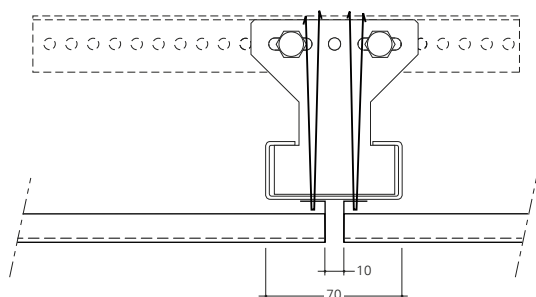


## TYPICAL ISOMETRICS

- 1 = XLts
- 2 = C-Grid profile
- 3 = Primary profile
- 4 = Nonius hanger
- 5 = C-Grid suspension shoe
- 6 = Primary profile splice
- 7 = Torsion-Spring
- 8 = Locking clips


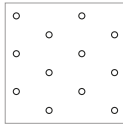
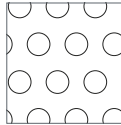


## TYPICAL SECTIONS



## PERFORATION PATTERNS

Standard patterns shown. See page 350 for all perforation patterns.  
Scale shown: 1:1, unless otherwise noted.

		
Plain	Front side D0804 Ø 0.8 mm ⌀ 5 ⇔ 8.66 Openness 3.6%	Reverse side D3033 Ø 3 mm ⌀ 5 ⇔ 5 Openness 32,6%

## PHYSICAL DATA (Can vary per system)

### Aluminium skins:

Alloy : EN AW3005, H4

Thickness: Front skin: 0.7 mm  
Back skin: 0.7 mm

Perforation: Front skin Ø 0.8 T4  
Back skin Ø 3.0 T5

Coatings: Coil Coated and Powder Coated

Colours: Any colours to match RAL, NCS, BS  
and other finishes on request

### Aluminium Honeycomb Core:

- Alloy: EN AW3003
- Foil thickness: 0.058 mm
- Cell size: 12

Adhesive: 1 component temperature cured PU glue

Weight: Varies 6.5 - 13.3 kg/m<sup>2</sup>

Acoustic rating:  $\alpha_w$  0.75: See page 353

### Panel size

#### Module width:

- Perforated - 1250 mm
- Plain - 1500 mm

#### Module length:

- Perforated - 2500 mm
- Plain - 6500 mm

Thickness: 15 - 50 mm as standard

**COLOURS AND FINISHES**

Hunter Douglas offers a wide choice of colours and finishes. Custom colour matching is available upon request. Please contact your local Hunter Douglas sales office for minimum quantities and lead times. See website for the most up to date information. Colours are for illustration purposes only.

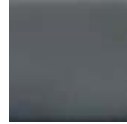
**SOLID COLOURS**



Traffic White



Stone Grey



Anthracite Grey



Marine Blue



Neutron Red

**CUSTOM COLOURS**



**SPARKLING MICA**



Onyx White Purple



Onyx White Blue



Pyrite Gold Silver



Pyrite Red Green



Amethyst Purple Red

**NATURAL - ANODISED ALUMINIUM**



Bright Brushed



Anodised Brushed



Champagne Brushed



New Gold Brushed



Redzinc Brushed

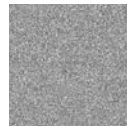
**AMAZING METALLIC**



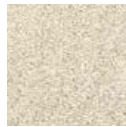
Brilliant Silver Metallic



Brilliant Champagne Metallic



Dark Anthracite Metallic



Pearl Beige Metallic



Dark Copper Metallic

**DESIGNS AND SPECIALS**



Travertin Classic



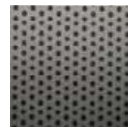
Royal Wengè



Titanzinc Futura



Carbon Zoom



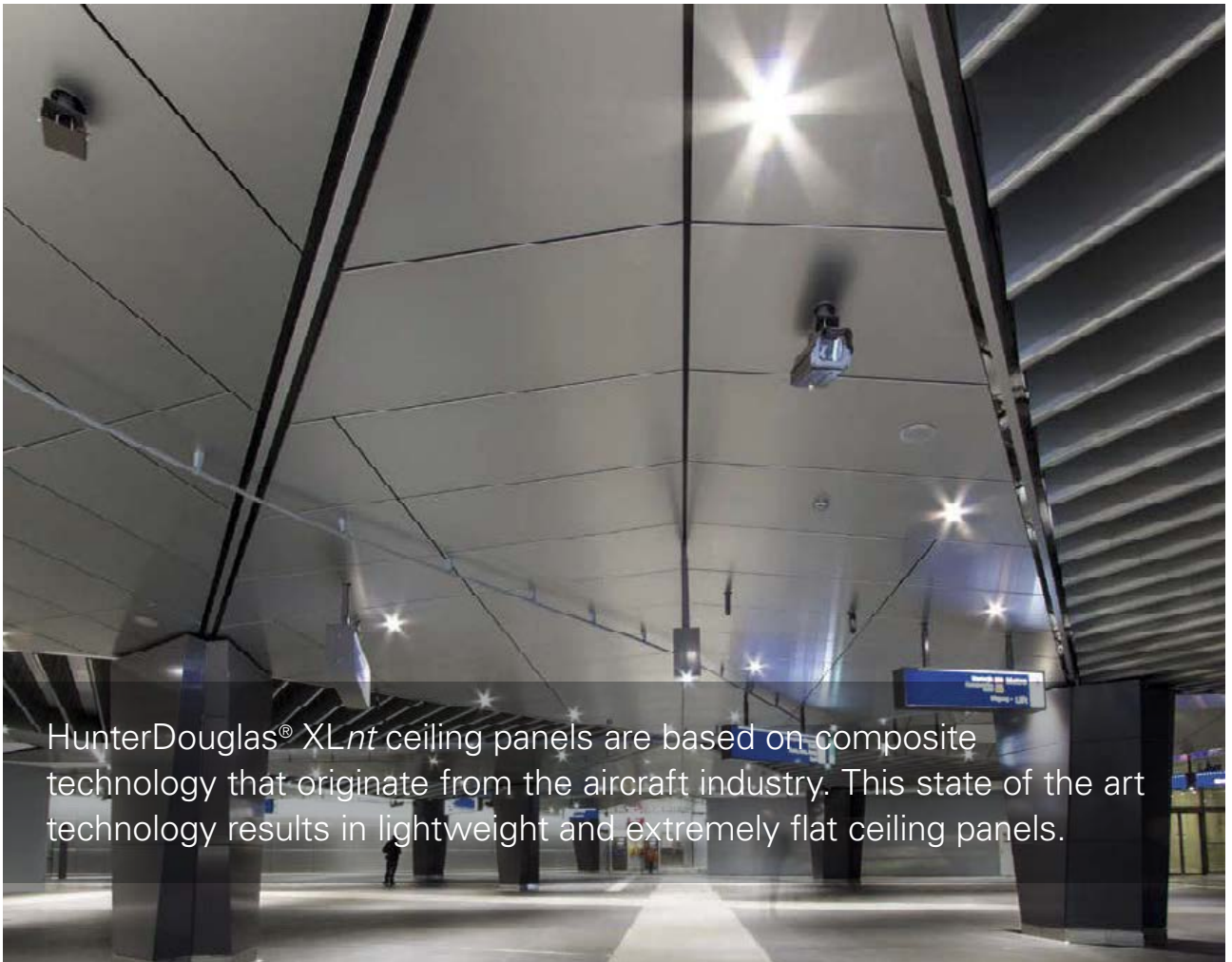
Perforated Metal

Buildings are defined by form and design. Often they are the product of an architect's inspirational vision. At Hunter Douglas our mission is to help designers realise that vision, by providing them with a palette of colours, materials and surface finishes that will inspire their creativity. Colours are available in different gloss units as well as high gloss and matt finishes.



Project: Voorwinden, 's-Gravendeel, The Netherlands - Product: QuadroClad® Acoustic panels XLts (Torsion-Spring)  
Architect: Architectenburo Roos en Ros





HunterDouglas® XLnt ceiling panels are based on composite technology that originate from the aircraft industry. This state of the art technology results in lightweight and extremely flat ceiling panels.

Project: Noord Zuidlijn, Amsterdam, The Netherlands - Product: QuadroClad® Acoustic panels XLnt (Swing Down)  
Architect: Bentheim Crouwel Architects

## QUADROCLAD® ACOUSTIC

QuadroClad® Acoustic Panels are based on composite technology that originates from the aircraft industry. The lightweight (micro) perforated skins are fused to a honeycomb aluminium core, that has been designed to meet the architect's demand for high quality, extremely flat and extra-large sized ceiling systems. The QuadroClad® Acoustic panel method of construction allows designers to virtually ignore the span of the material and provides them with an enormous amount of freedom when creating their designs.

### XLnt

QuadroClad® XLnt is our COMPLETE system and as its name suggests is our most comprehensive ceiling solution. It is a fully engineered panel with aluminum extrusion frames on two sides. The ceiling has a narrow 12.5 mm wide joint around each panel. Each individual panel can be opened/demounted with a swing-down/swing-up motion for easy access to the services and installations within the plenum.

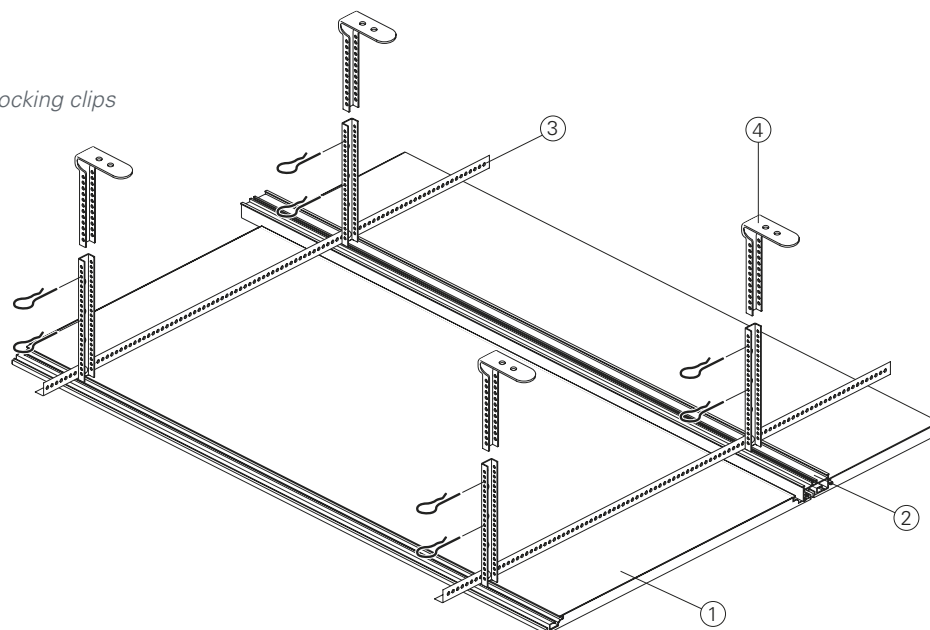
## KEY FEATURES

- Superior flatness
- Easy installation
- Big panel size
- High panel quality
- Smooth appearance
- Fire retardant
- Curved solutions
- Narrow joints

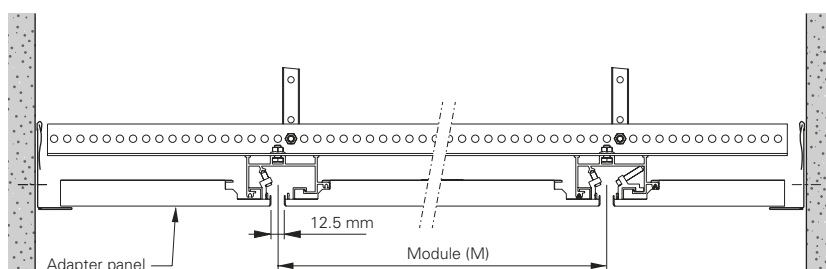


## TYPICAL ISOMETRICS

- 1 = XLnt panel  
 2 = Suspension profile  
 3 = Primary angle profile  
 4 = Nonius hanger with locking clips



## TYPICAL SECTIONS



## PERFORATION PATTERNS

Standard patterns shown. See page 350 for all perforation patterns.  
 Scale shown: 1:1, unless otherwise noted.

Plain	Front side D0804 Ø 0.8 mm ⇄ 5 ⇄ 8.66 Openness 3.6%	Reverse side D3033 Ø 3 mm ⇄ 5 ⇄ 5 Openness 32,6%

## PHYSICAL DATA (Can vary per system)

### Aluminium skins:

Alloy : EN AW3005, H4

Thickness: Front skin: 0.7 mm  
 Back skin: 0.7 mm

Perforation: Front skin Ø 0.8 T4  
 Back skin Ø 3.0 T5

Coatings: Coil Coated and Powder Coated

Colours: Any colours to match RAL, NCS, BS  
 and other finishes on request

### Aluminium Honeycomb Core:

- Alloy: EN AW3003
- Foil thickness: 0.058 mm
- Cell size: 12

Adhesive: 1 component temperature cured PU glue

Weight: Varies 6.5 - 13.3 kg/m<sup>2</sup>

Fire rating: B,s1,d0 according EN 13501-1

Acoustic rating:  $\alpha_w$  0.75: See page 353

Panel size

Module width:

- Perforated - 1250 mm
- Plain - 1500 mm

Module length:

- Perforated - 2500 mm
- Plain - 6500 mm

Thickness: 15 - 50 mm as standard

**COLOURS AND FINISHES**

Hunter Douglas offers a wide choice of colours and finishes. Custom colour matching is available upon request. Please contact your local Hunter Douglas sales office for minimum quantities and lead times. See website for the most up to date information. Colours are for illustration purposes only.

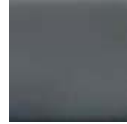
**SOLID COLOURS**



Traffic White



Stone Grey



Anthracite Grey



Marine Blue



Neutron Red

**CUSTOM COLOURS**



**SPARKLING MICA**



Onyx White Purple



Onyx White Blue



Pyrite Gold Silver



Pyrite Red Green



Amethyst Purple Red

**NATURAL - ANODISED ALUMINIUM**



Bright Brushed



Anodised Brushed



Champagne Brushed



New Gold Brushed



Redzinc Brushed

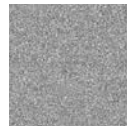
**AMAZING METALLIC**



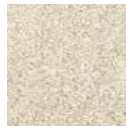
Brilliant Silver Metallic



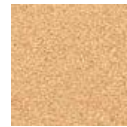
Brilliant Champagne Metallic



Dark Anthracite Metallic



Pearl Beige Metallic



Dark Copper Metallic

**DESIGNS AND SPECIALS**



Travertin Classic



Royal Wengè



Titanzinc Futura



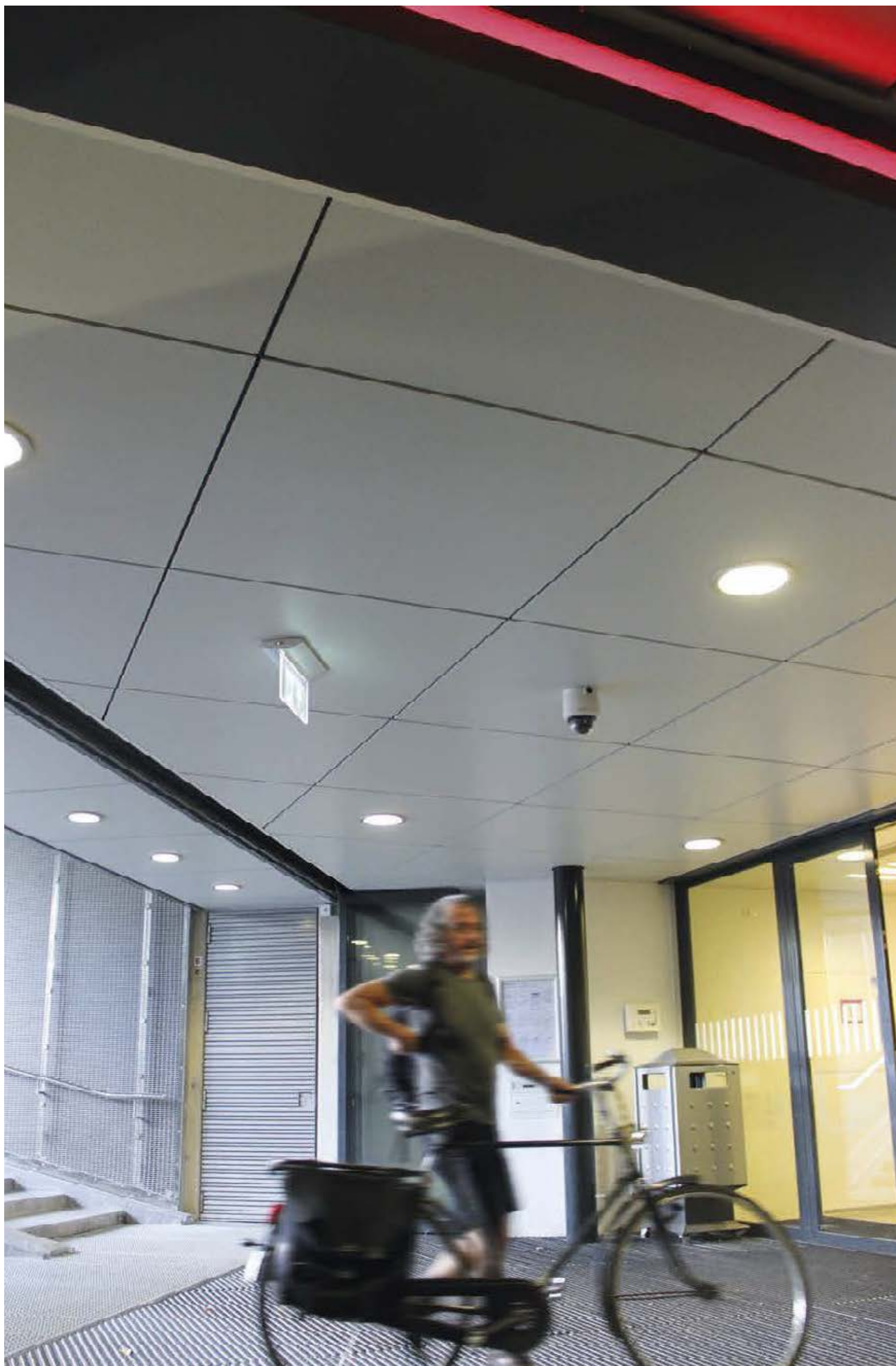
Carbon Zoom



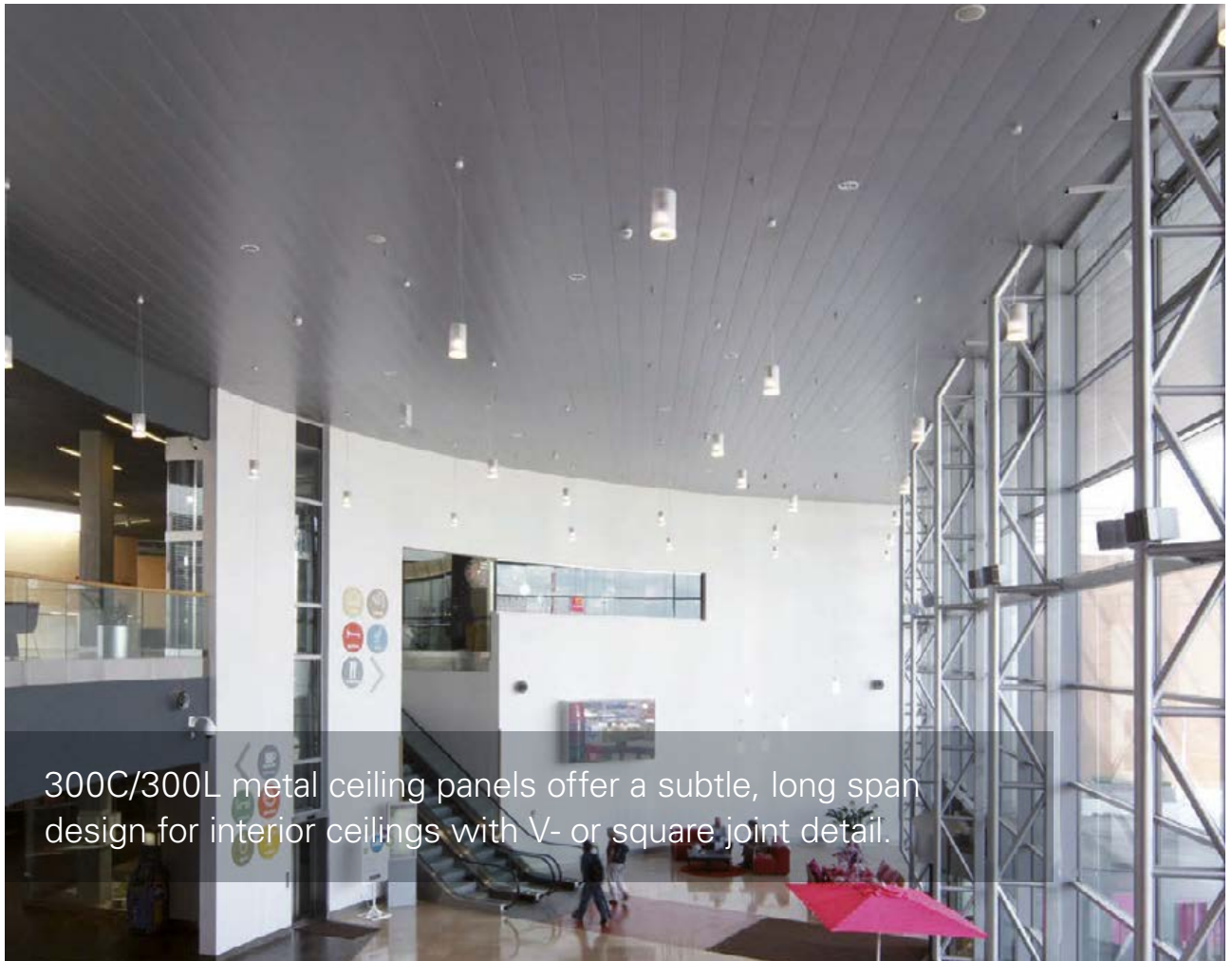
Perforated Metal

Buildings are defined by form and design. Often they are the product of an architect's inspirational vision. At Hunter Douglas our mission is to help designers realise that vision, by providing them with a palette of colours, materials and surface finishes that will inspire their creativity. Colours are available in different gloss units as well as high gloss and matt finishes.





Project: Bicycle Parking Jaarbeursplein, Utrecht, The Netherlands - Product: QuadroClad® Acoustic panels XLnt (Swing-Down)  
Architect: Kraaijvanger Architects



300C/300L metal ceiling panels offer a subtle, long span design for interior ceilings with V- or square joint detail.

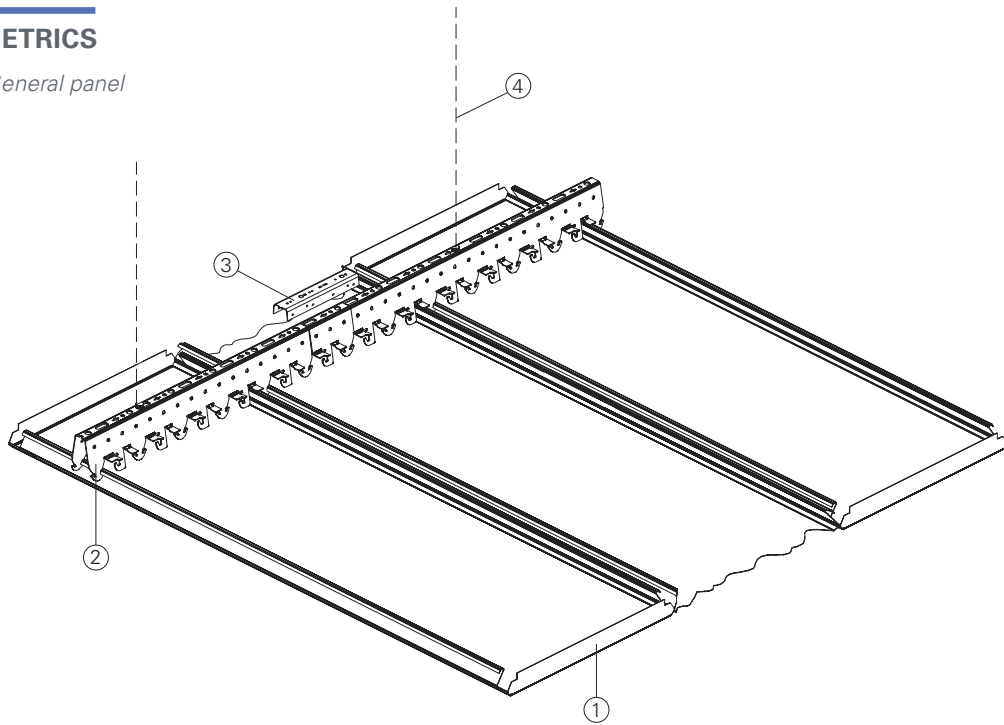
*Project: Domoteka, Warsaw, Poland - Product: Wide Panel 300C/300L (General) - Architect: Archmo*

## KEY FEATURES

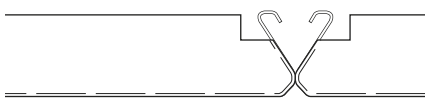
- Panel width: 300 mm
- Panel length: 1000 - 6000 mm
- Bevel-edge design and square edge design
- Perforated version with non-woven for acoustic control
- On site waste reduction with factory fabricated dimensional material
- Downweight: reduce static load with lightweight aluminum or steel
- Easy plenum access
- Interior and exterior applications
- Compatible with industry standard lighting, HVAC, speaker, fire safety, and security services

**TYPICAL ISOMETRICS**

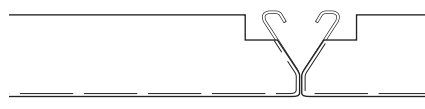
- 1 = 300C/300L General panel
- 2 = Carrier
- 3 = Carrier splice
- 4 = Hanger



**TYPICAL SECTIONS**



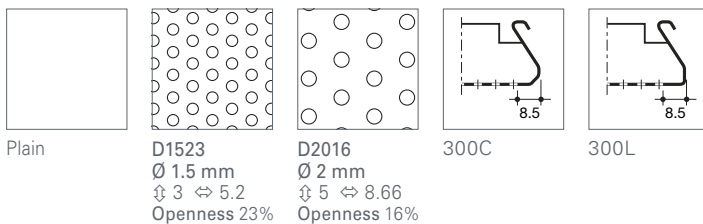
300C



300L

**PERFORATION PATTERNS**

Standard patterns shown. See page 350 for all perforation patterns.  
Scale shown: 1:1, unless otherwise noted.



**PHYSICAL DATA**

**Substrate:** Steel or Aluminium  
**Fire rating:** Class A2,s1,d0 according EN 13501-1  
**Weight:** Varies 2.9 kg/m<sup>2</sup> (Al), 6.4 kg/m<sup>2</sup> (Fe)  
**Light reflectance (LR) Coefficient:**  
 - Varies with finish  
 - HD0280: LR = 0.81  
**Acoustic rating:** α<sub>w</sub> 0.75. See page 352

**BIM**

REVIT files available for BIM contributions, see website for details.

**LEED V4 CREDITS**

MR: Optimise Energy Performance  
 MR: Building Product Disclosure  
 EQ: Low-Emitting Materials  
 EQ: Indoor Air Quality Assessment  
 EQ: Daylight  
 EQ: Acoustic Performance

**CERTIFICATIONS**

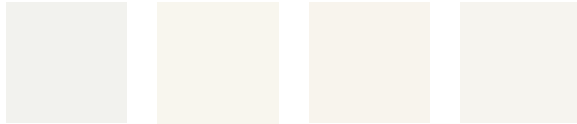
ISO 9001  
 ISO 14001  
 TAIM Certified  
 French VOC Regulation: Class A+  
 EPD: Available upon request



**COLOURS AND FINISHES**

Hunter Douglas offers a wide choice of colours and finishes. Custom colour matching is available upon request. Please contact your local Hunter Douglas sales office for minimum quantities and lead times. See website for the most up to date information. Colours are for illustration purposes only.

**COOL WHITES**



0181  
RAL 9003

0106  
RAL 9016

0299

0179

**CUSTOM COLOURS**



**NATURE TONES**



1585

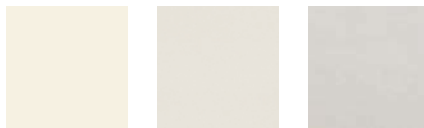
4648

0785

0735

1883  
RAL 9011

**WARM WHITES**



0280  
RAL 9010

0585

0684

**METALS**

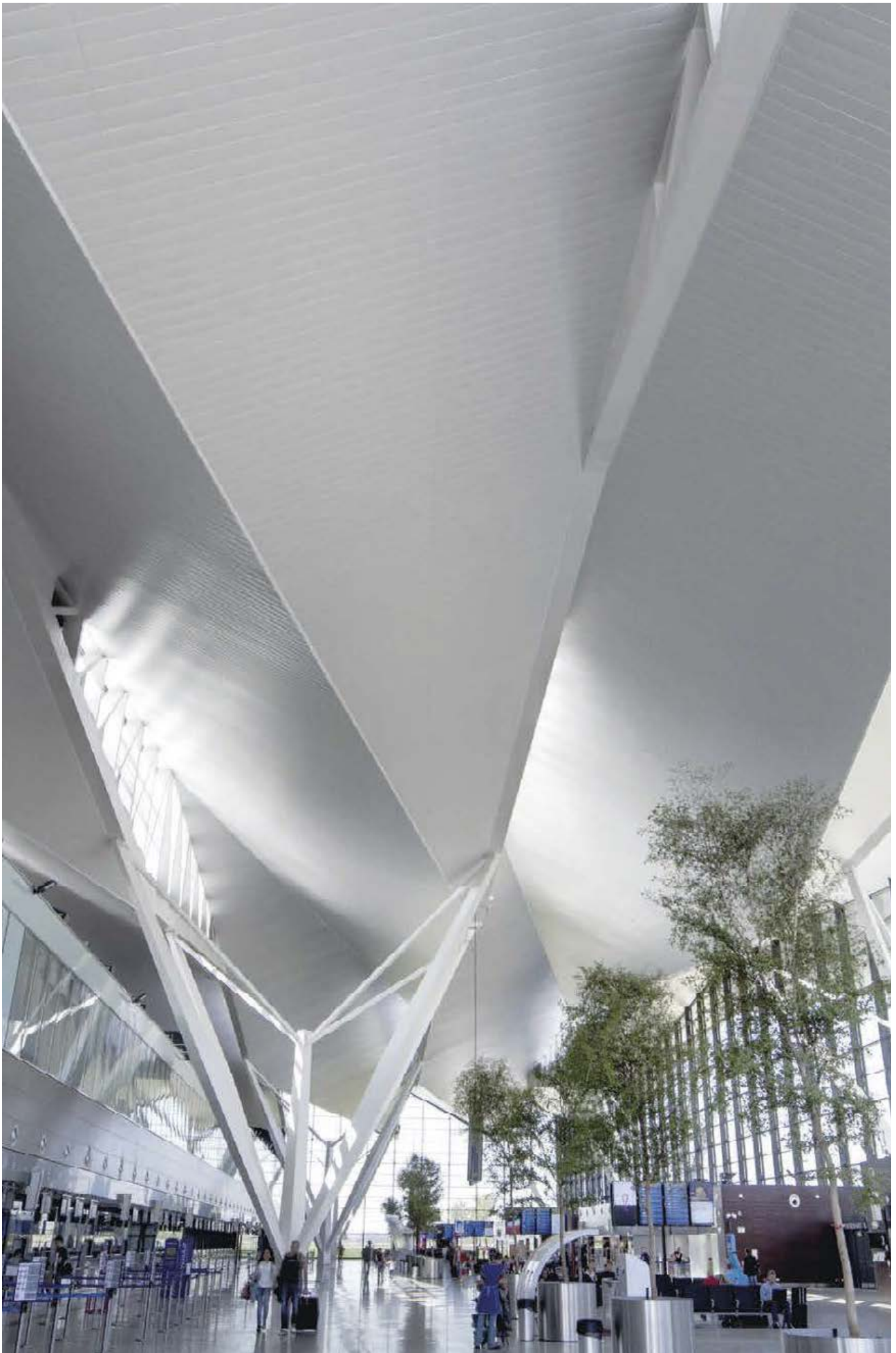


7163

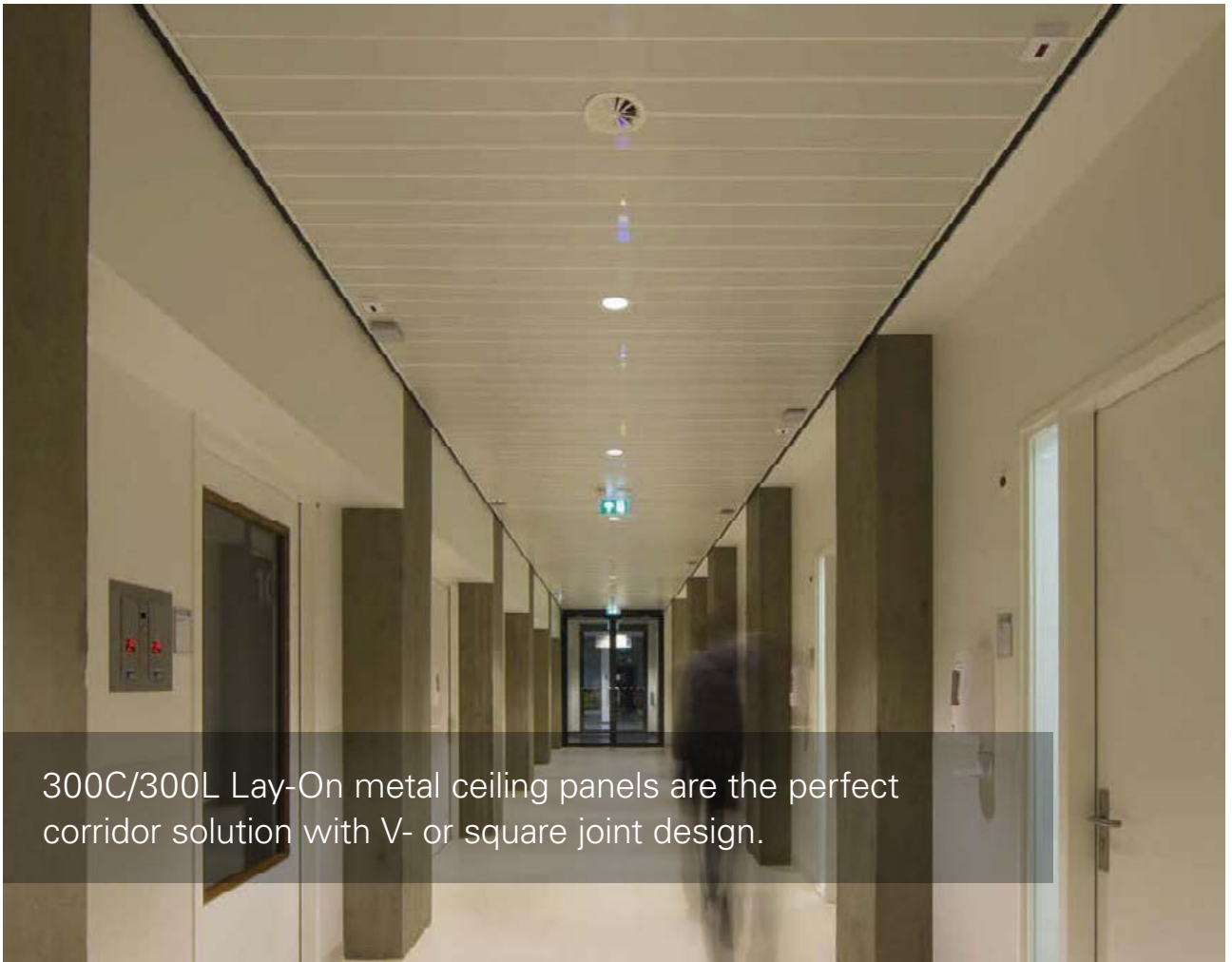
7007

7178

7113



Project: New Terminal at Gdansk Lech Wałesa Airport, Gdansk, Poland - Product: Wide Panel 300C/300L (General) - Architect: JSK Architekci Sp z o.o.



300C/300L Lay-On metal ceiling panels are the perfect corridor solution with V- or square joint design.

*Project: Radboud Ziekenhuis, Nijmegen, The Netherlands - Product: Wide Panel 300C/300L (Lay-On) - Architect: EGM Architecten*

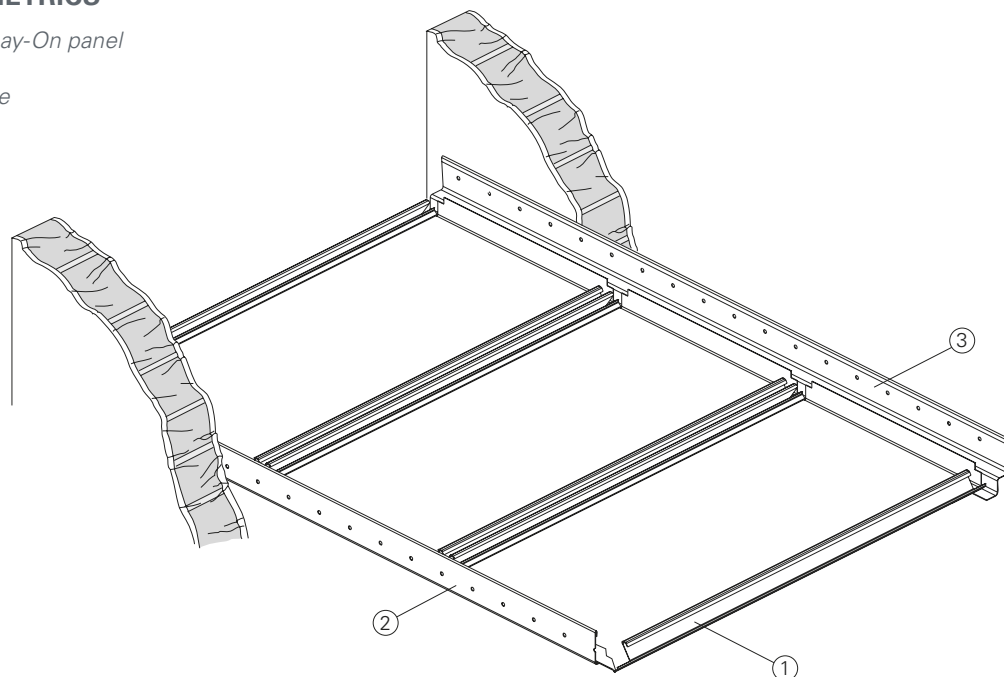
## KEY FEATURES

- Panel width: 300 mm
- Panel length: 1000 - 2400 mm
- Bevel-edge design and square edge design
- Perforated version with non-woven for acoustic control
- On site waste reduction with factory fabricated dimensional material
- Downweight: reduce static load with lightweight aluminum or steel
- Easy plenum access
- Interior and exterior applications
- Compatible with industry standard lighting, HVAC, speaker, fire safety, and security services

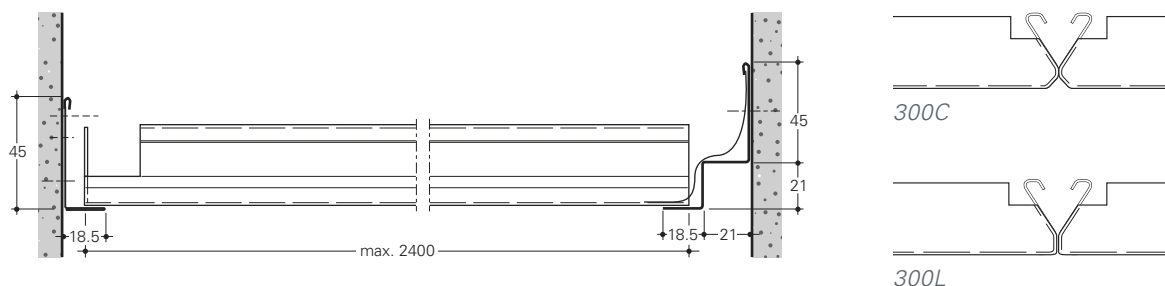


**TYPICAL ISOMETRICS**

- 1 = 300C/300L Lay-On panel
- 2 = Wall L-profile
- 3 = Wall W-profile



**TYPICAL SECTIONS**



**PERFORATION PATTERNS**

Standard patterns shown. See page 350 for all perforation patterns. Scale shown: 1:1, unless otherwise noted.

Plain	D1523 Ø 1.5 mm ⌀ 3 ⇔ 5.2 Openness 23%	D2016 Ø 2 mm ⌀ 5 ⇔ 8.66 Openness 16%	300C	300L

**PHYSICAL DATA**

**Substrate:** Steel or Aluminium  
**Fire rating:** Class A2,s1,d0 according EN 13501-1  
**Weight:** Varies 2.9 kg/m<sup>2</sup> (Al), 6.4 kg/m<sup>2</sup> (Fe)  
**Light reflectance (LR) Coefficient:**  
 - Varies with finish  
 - HD0280: LR = 0.81  
**Acoustic rating:** α<sub>w</sub> 0.75. See page 352

**BIM**  
 REVIT files available for BIM contributions, see website for details.

**LEED V4 CREDITS**

- MR: Optimise Energy Performance
- MR: Building Product Disclosure
- EQ: Low-Emitting Materials
- EQ: Indoor Air Quality Assessment
- EQ: Daylight
- EQ: Acoustic Performance

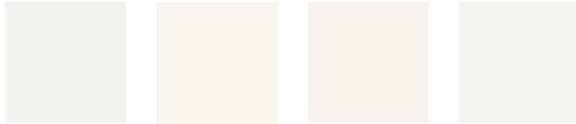
**CERTIFICATIONS**

- ISO 9001
- ISO 14001
- TAIM Certified
- French VOC Regulation: Class A+
- EPD: Available upon request

**COLOURS AND FINISHES**

Hunter Douglas offers a wide choice of colours and finishes. Custom colour matching is available upon request. Please contact your local Hunter Douglas sales office for minimum quantities and lead times. See website for the most up to date information. Colours are for illustration purposes only.

**COOL WHITES**



0181  
RAL 9003

0106  
RAL 9016

0299

0179

**CUSTOM COLOURS**



**NATURE TONES**



1585

4648

0785

0735

1883  
RAL 9011

**WARM WHITES**



0280  
RAL 9010

0585

0684

**METALS**

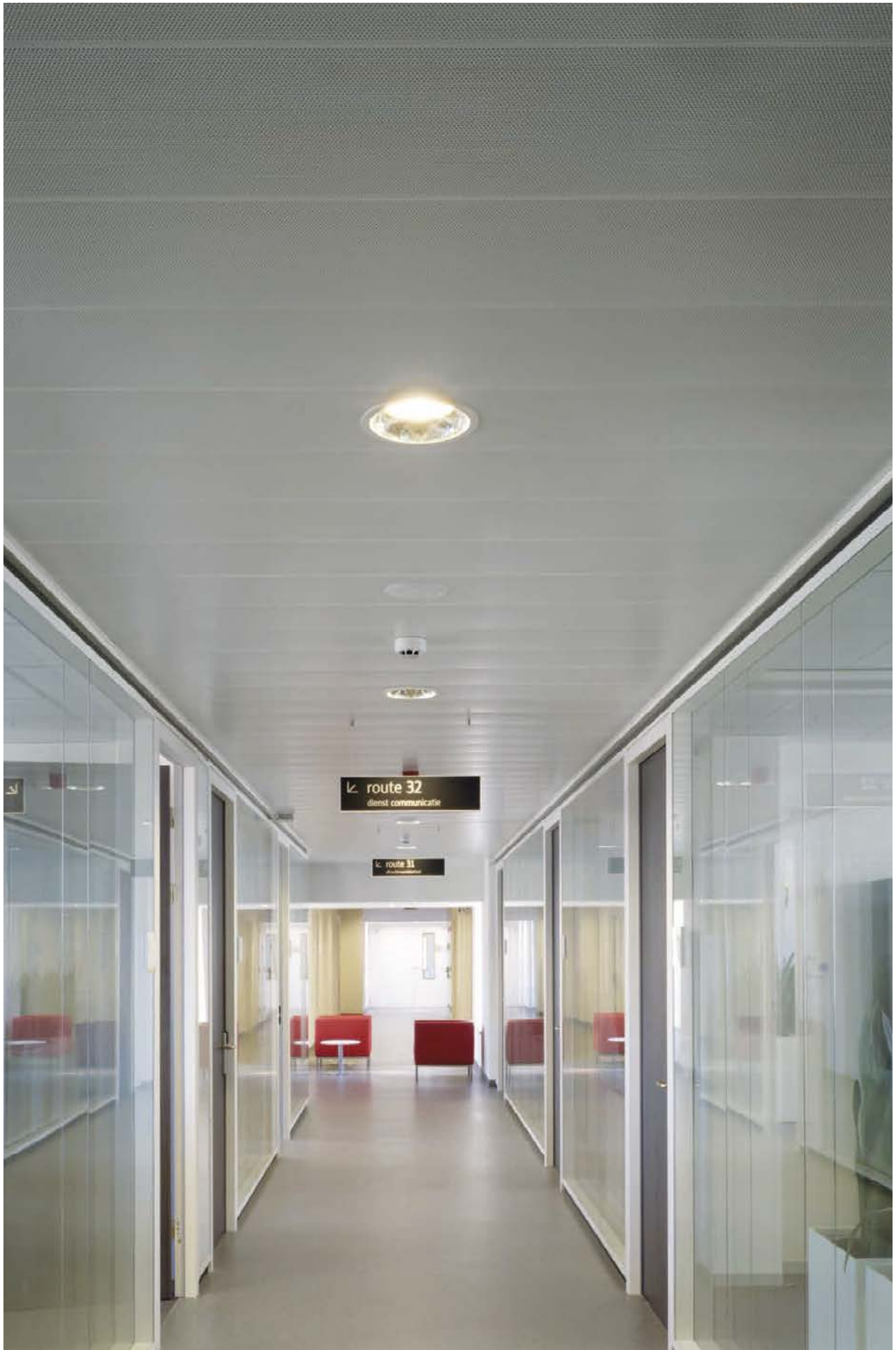


7163

7007

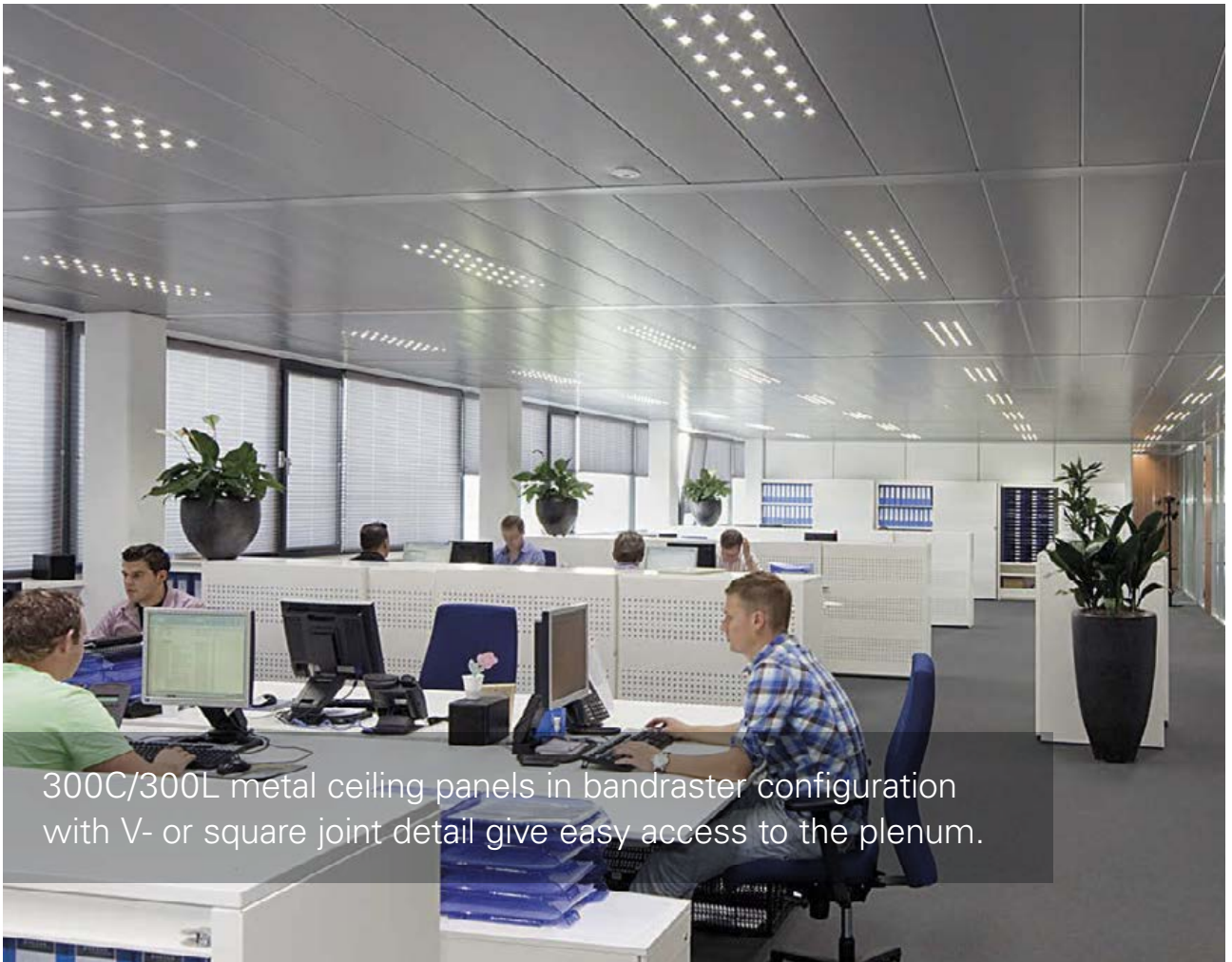
7178

7113



Project: Sint-Vincentius GZA Ziekenhuizen, Berchem, Belgium - Product: Wide Panel 300C/300L (Lay-On) - Architect: Architectenbureau De Vloed, Heusden-Destelbergen





300C/300L metal ceiling panels in bandraaster configuration with V- or square joint detail give easy access to the plenum.

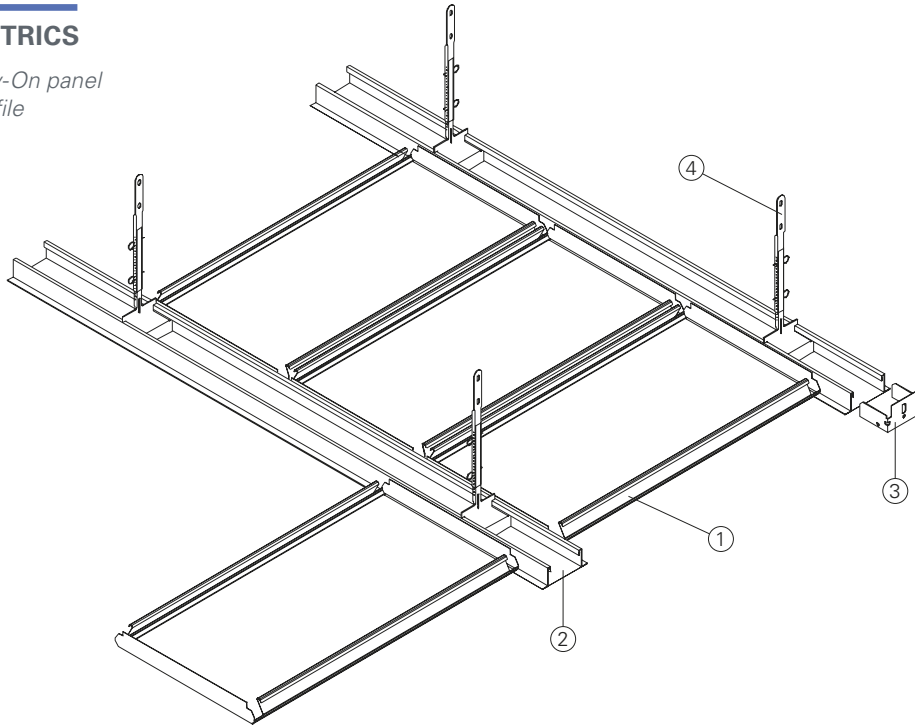
Project: Brezan automaterialen, Ede, Nederland - Product: Wide Panel 300C/300L (Bandraaster) - Architect: VBJ Architectuur en Bouwmanagement

## KEY FEATURES

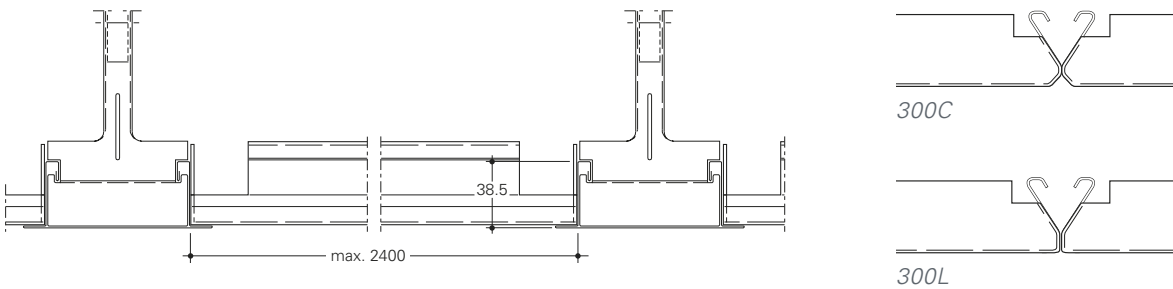
- Panel width: 300 mm
- Panel length: 1000 - 2400 mm
- Bevel-edge design and square edge design
- Perforated version with non-woven for acoustic control
- On site waste reduction with factory fabricated dimensional material
- Downweight: reduce static load with lightweight aluminum or steel
- Easy plenum access
- Interior and exterior applications
- Compatible with industry standard lighting, HVAC, speaker, fire safety, and security services

**TYPICAL ISOMETRICS**

- 1 = 300C/300L Lay-On panel
- 2 = Bandraster profile
- 3 = Wall bracket
- 4 = Suspension

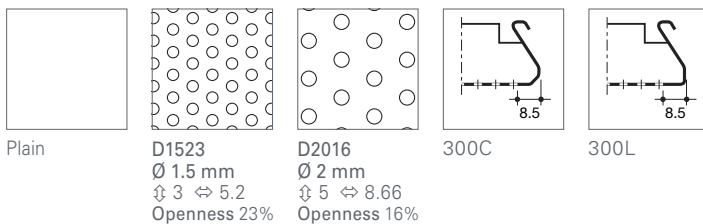


**TYPICAL SECTIONS**



**PERFORATION PATTERNS**

Standard patterns shown. See page 350 for all perforation patterns.  
Scale shown: 1:1, unless otherwise noted.



**PHYSICAL DATA**

**Substrate:** Steel or Aluminium  
**Fire rating:** Class A2,s1,d0 according EN 13501-1  
**Weight:** Varies 2.9 kg/m<sup>2</sup> (Al), 6.4 kg/m<sup>2</sup> (Fe)  
**Light reflectance (LR) Coefficient:**  
 - Varies with finish  
 - HD0280: LR = 0.81  
**Acoustic rating:** α<sub>w</sub> 0.75: See page 352

**BIM**

REVIT files available for BIM contributions, see website for details.

**LEED V4 CREDITS**

- MR: Optimise Energy Performance
- MR: Building Product Disclosure
- EQ: Low-Emitting Materials
- EQ: Indoor Air Quality Assessment
- EQ: Daylight
- EQ: Acoustic Performance

**CERTIFICATIONS**

- ISO 9001
- ISO 14001
- TAIM Certified
- French VOC Regulation: Class A+
- EPD: Available upon request

**COLOURS AND FINISHES**

Hunter Douglas offers a wide choice of colours and finishes. Custom colour matching is available upon request. Please contact your local Hunter Douglas sales office for minimum quantities and lead times. See website for the most up to date information. Colours are for illustration purposes only.

**COOL WHITES**



0181  
RAL 9003

0106  
RAL 9016

0299

0179

**CUSTOM COLOURS**



**NATURE TONES**



1585

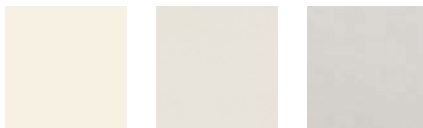
4648

0785

0735

1883  
RAL 9011

**WARM WHITES**



0280  
RAL 9010

0585

0684

**METALS**



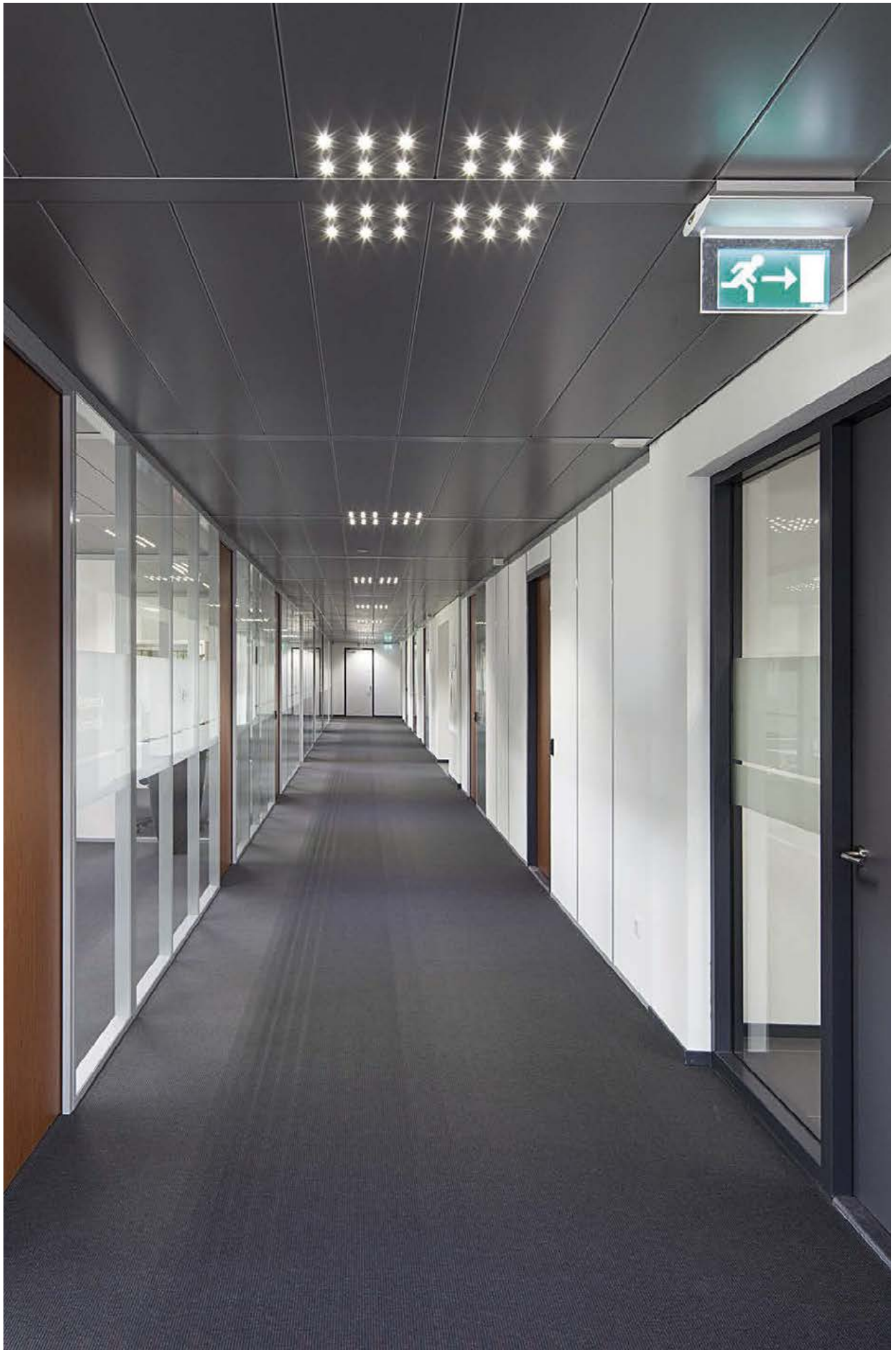
7163

7007

7178

7113





Project: Brezan automaterialen, Ede, Nederland - Product: Wide Panel 300C/300L (Bandraster) - Architect: VBJ Architectuur en Bouwmanagement



300C/300L metal ceiling panels in C-Grid configuration with V- or square joint detail give easy access to the plenum and provide a smooth finish.

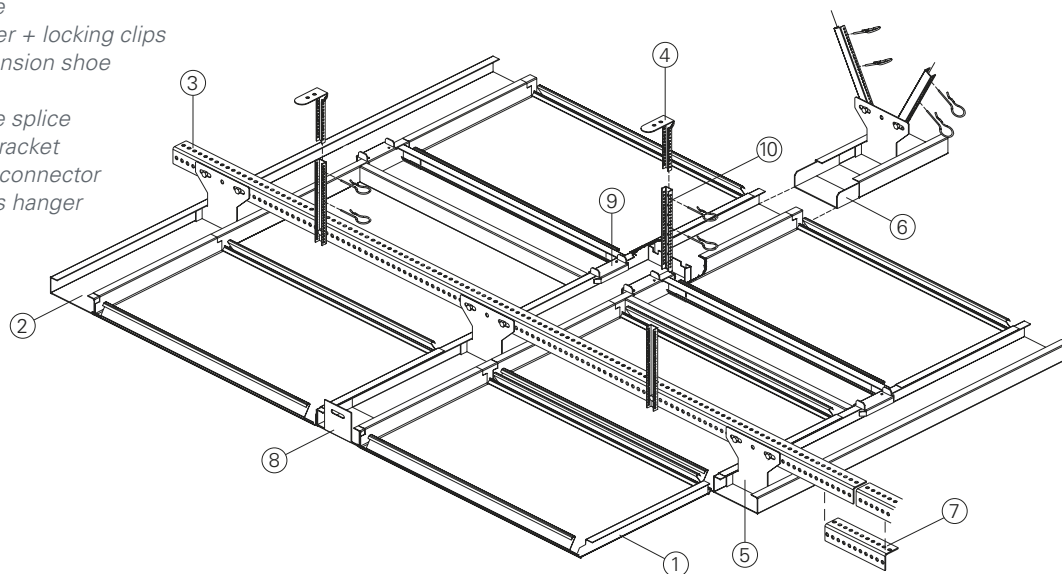
Project: OCMW, Brugge, Belgium - Product: Wide Panel 300C/300L (C-Grid) - Architect: Archinovo

## KEY FEATURES

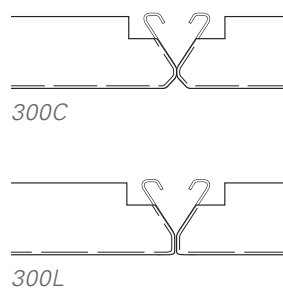
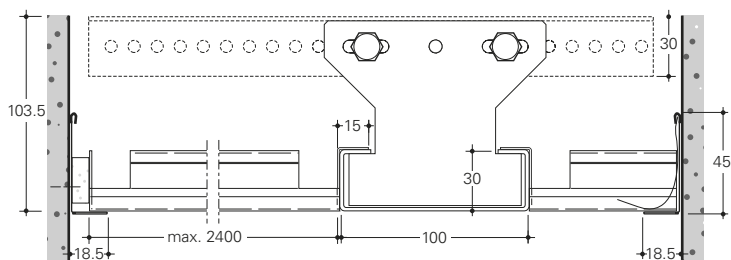
- Panel width: 300 mm
- Panel length: 1000 - 2400 mm
- Bevel-edge design and square edge design
- Perforated version with non-woven for acoustic control
- On site waste reduction with factory fabricated dimensional material
- Downweight: reduce static load with lightweight aluminum or steel
- Easy plenum access
- Interior and exterior applications
- Compatible with industry standard lighting, HVAC, speaker, fire safety, and security services

**TYPICAL ISOMETRICS**

- 1 = 300C/300L C-Grid panel
- 2 = C-Grid profile
- 3 = Primary angle
- 4 = Nonius hanger + locking clips
- 5 = C-Grid suspension shoe
- 6 = C-Grid splice
- 7 = Primary angle splice
- 8 = C-Grid wall bracket
- 9 = C-Grid cross connector
- 10 = C-Grid nonius hanger



**TYPICAL SECTIONS**



**PERFORATION PATTERNS**

Standard patterns shown. See page 350 for all perforation patterns. Scale shown: 1:1, unless otherwise noted.

Plain	D1523 Ø 1.5 mm ⊥ 3 ⇔ 5.2 Openness 23%	D2016 Ø 2 mm ⊥ 5 ⇔ 8.66 Openness 16%	300C	300L

**PHYSICAL DATA**

- Substrate: Steel or Aluminium
- Fire rating: Class A2,s1,d0 according EN 13501-1
- Weight: Varies 2.9 kg/m<sup>2</sup> (Al), 6.4 kg/m<sup>2</sup> (Fe)
- Light reflectance (LR) Coefficient:
  - Varies with finish
  - HD0280: LR = 0.81
- Acoustic rating: α<sub>w</sub> 0.75: See page 352

**BIM**

REVIT files available for BIM contributions, see website for details.

**LEED V4 CREDITS**

- MR: Optimise Energy Performance
- MR: Building Product Disclosure
- EQ: Low-Emitting Materials
- EQ: Indoor Air Quality Assessment
- EQ: Daylight
- EQ: Acoustic Performance

**CERTIFICATIONS**

- ISO 9001
- ISO 14001
- TAIM Certified
- French VOC Regulation: Class A+
- EPD: Available upon request



**COLOURS AND FINISHES**

Hunter Douglas offers a wide choice of colours and finishes. Custom colour matching is available upon request. Please contact your local Hunter Douglas sales office for minimum quantities and lead times. See website for the most up to date information. Colours are for illustration purposes only.

**COOL WHITES**



0181  
RAL 9003

0106  
RAL 9016

0299

0179

**CUSTOM COLOURS**



**NATURE TONES**



1585

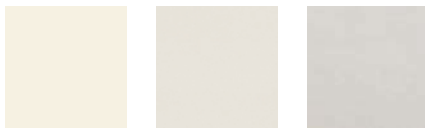
4648

0785

0735

1883  
RAL 9011

**WARM WHITES**



0280  
RAL 9010

0585

0684

**METALS**



7163

7007

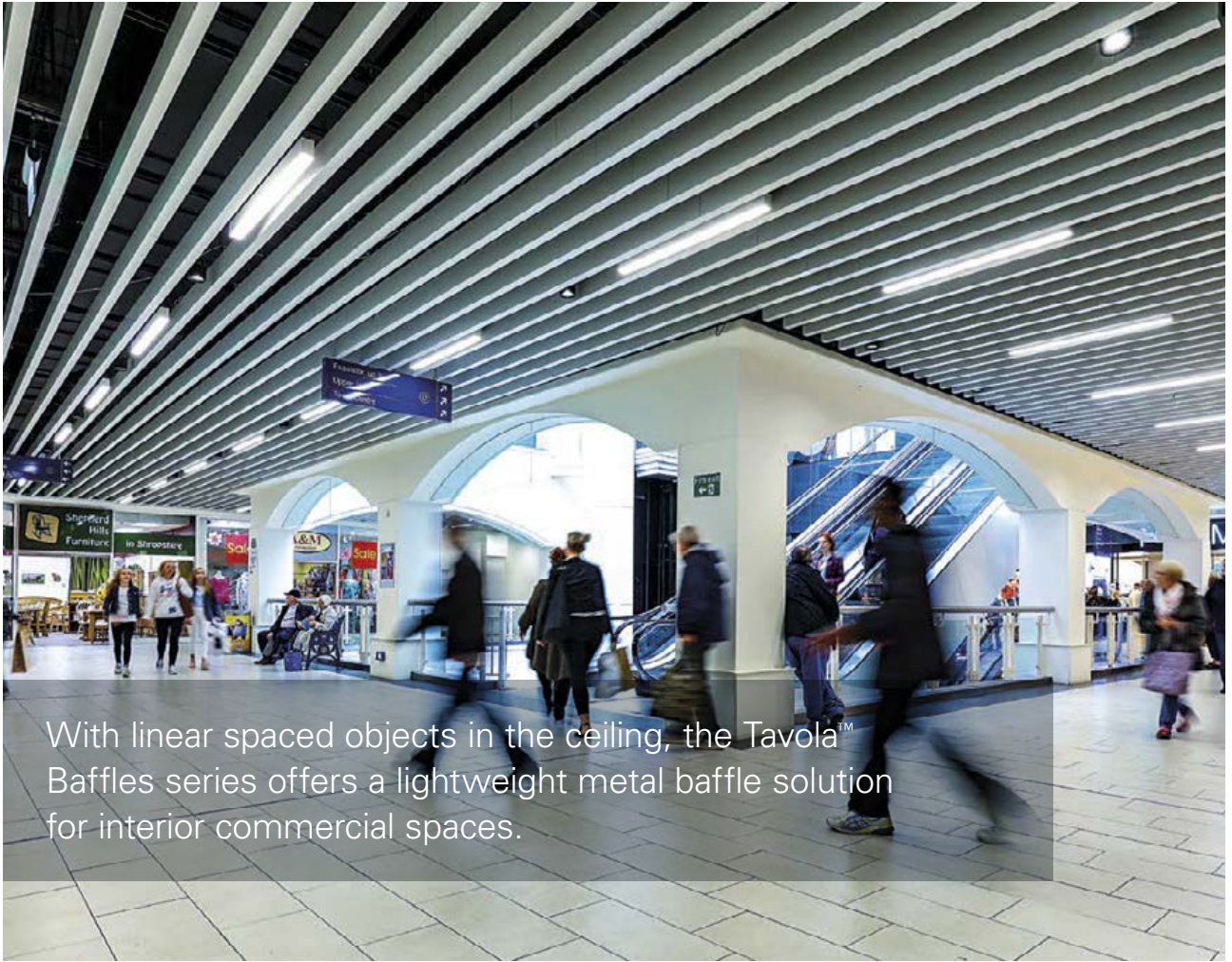
7178

7113



Project: Employee restaurant, Denmark - Product: Wide Panel 300C/300L (C-Grid)





With linear spaced objects in the ceiling, the Tavola™ Baffles series offers a lightweight metal baffle solution for interior commercial spaces.

Project: Darwin Centre, Shrewsbury, UK - Product: Baffles Tavola™ (Straight) - Architect: Chapman Taylor

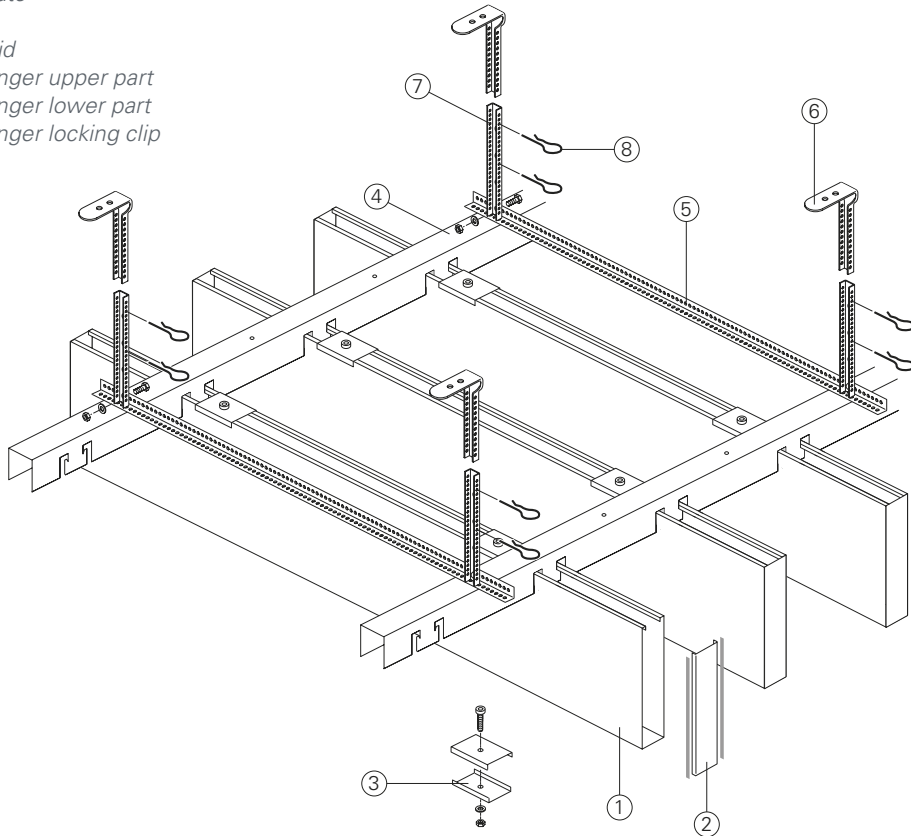
## KEY FEATURES

- Profile lengths up to 5000 mm
- Profile heights: 50 - 300 mm
- Profile widths: 20, 30, 40 and 50 mm
- Standard FE carrier 40 x 50 mm, black
- On site waste reduction with factory fabricated dimensional material
- Downweight: reduce static load with lightweight steel or aluminum
- Standard from pre-painted steel strip
- Easy plenum access



## TYPICAL ISOMETRICS

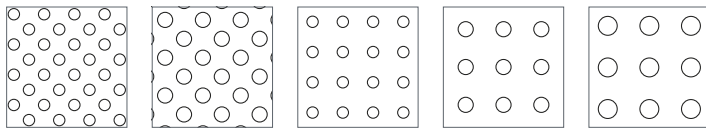
- 1 = Tavola™ Baffle
- 2 = End cap
- 3 = Locking plate
- 4 = Carrier
- 5 = Primary grid
- 6 = Nonius hanger upper part
- 7 = Nonius hanger lower part
- 8 = Nonius hanger locking clip



Maximum spans primary and secondary grid 1200 mm  
Maximum cantilevers 300 mm

## PERFORATION PATTERNS

Standard patterns shown. See page 350 for all perforation patterns.  
Scale shown: 1:1, unless otherwise noted.



D1522	D2022	R1511	R2011	R2516
Ø 1.5 mm	Ø 2 mm	Ø 1.5 mm	Ø 2 mm	Ø 2.5 mm
⇄ 4 ⇄ 4	⇄ 5 ⇄ 5	⇄ 4 ⇄ 4	⇄ 5 ⇄ 5	⇄ 5.5 ⇄ 5.5
Openness 22%	Openness 22%	Openness 11%	Openness 11%	Openness 16%

## PHYSICAL DATA

**Substrate:** Steel or Aluminium  
**Fire rating:** Class A2,s2,d0 according EN 13501-1  
**Weight:** Varies 4.9 - 7.8 kg/m<sup>2</sup>  
**Light reflectance (LR) Coefficient:**  
 - Varies with finish  
 - RAL9010: LR = 0.81  
**Acoustic ratings:**  $\alpha_w$  0.4 - 0.5 (H): See page 352

### BIM

REVIT files available for BIM contributions,  
see website for details.

## LEED V4 CREDITS

MR : Building Product Disclosure  
 EQ : Low-Emitting Materials  
 EQ : Indoor Air Quality Assessment  
 EQ : Acoustic Performance

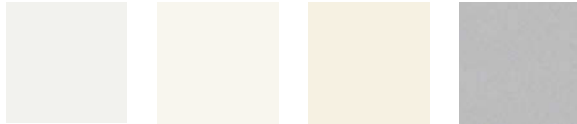
### CERTIFICATIONS

TAIM QS  
 French VOC Regulation: Class A  
 EPD: Available upon request

**COLOURS AND FINISHES**

Hunter Douglas offers a wide choice of colours and finishes. Custom colour matching is available upon request. Please contact your local Hunter Douglas sales office for minimum quantities and lead times. See website for the most up to date information. Colours are for illustration purposes only.

**STANDARD PAINT COLOURS**



0181 RAL 9003    0106 RAL 9016    0280 RAL 9010    7163 RAL 9006

**CUSTOM COLOURS**



**DECORATED WOOD-LOOK OPTIONS**

Powder-coat paint finish (interior and exterior). Formaldehyde-free, Class A composite panel. This finish is recommended for exterior conditions.



Fonthill Cherry 8426    Walnut 8424    Amber Bamboo 8435    African Wenge 8944    Grey Barnwood Cedar 8437    Golden Douglas Fir 8436    American Oak 8439    Cajun Cypress 8442



Swamp Cypress 8444    Clipper Teak 8446    Windjammer Teak 8449    Douglas Fir 8452    Anigre 8453    Farm Maple 8458    Caravel Teak 8460    Regatta Teak 8461



Summer Maple 8465    Terrace Maple 8466    Red River Pecan 8467    Bayou Pecan 8468    Northwest Mountain Hemlock 8489    Whitewash 8498    Rustic Cherry 8939    Cherry 8942

**LAMINATED (FILM) WOOD OPTIONS**

Pre-painted coil with a PVC film finish, for interior only.



Oak 8920    Maple 8921    Cherry 8922    Cypress 8925    Grey Cedar 8931    Teak 8923    Whitewash 8924    Walnut 8927

**COIL COATED WOOD-LOOK OPTIONS**

Coil-coated paint finishes are suitable for interior applications.



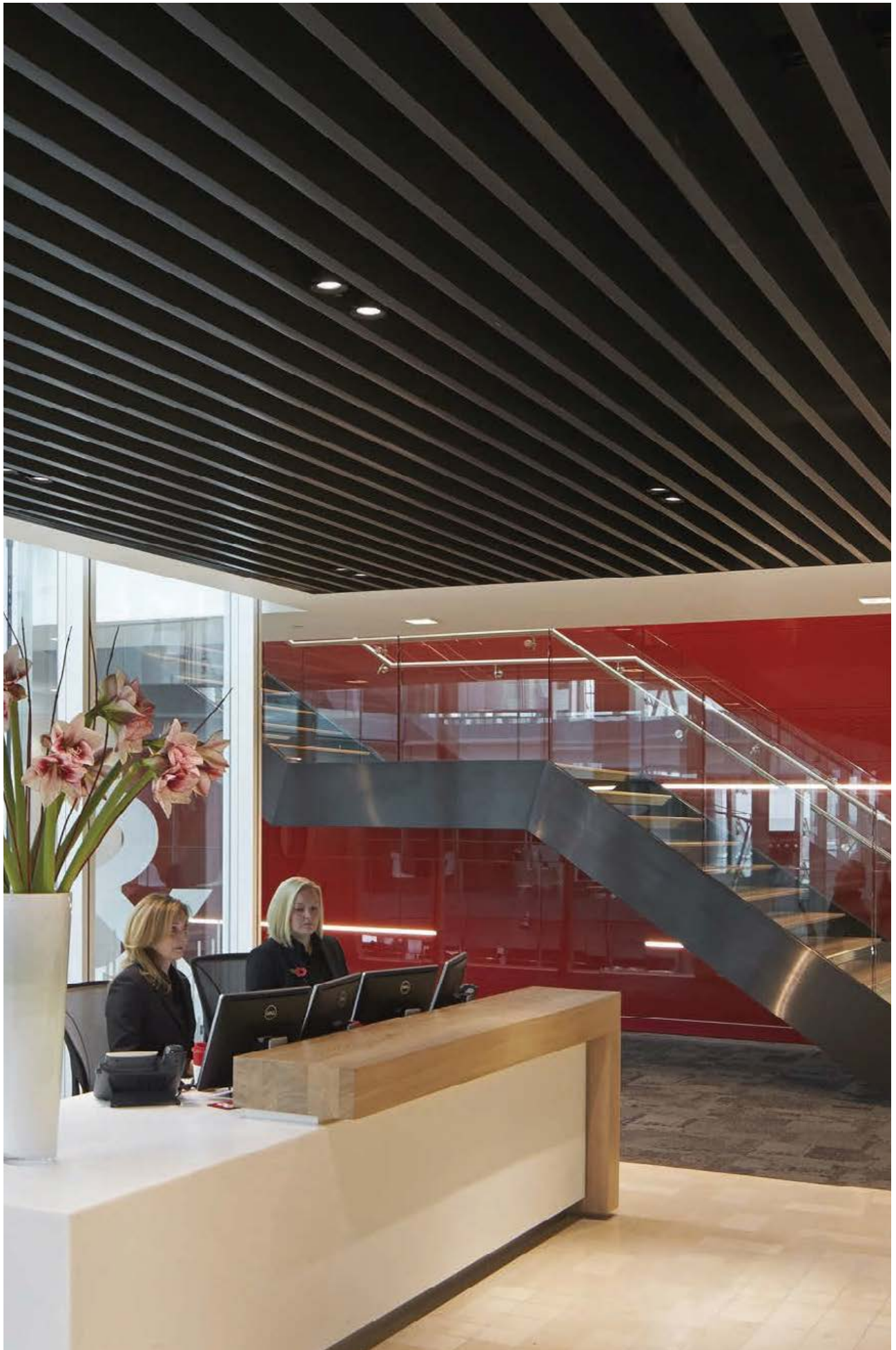
Cherry 8928    Teak 8929    Dark Walnut 8930

**STAINLESS STEEL OPTIONS**

Object shows reflectivity of finish



Satin 7772C    Brushed 7774C    Bright 7776C    Mirror 7778C



Project: Law firm Wragge Lawrence Graham & Co, Birmingham, United Kingdom - Product: Baffles Tavola™ (Straight) - Architect: Project architects Weedon





Create relief and rhythm within the ceiling by varying the depth and space between the baffles.

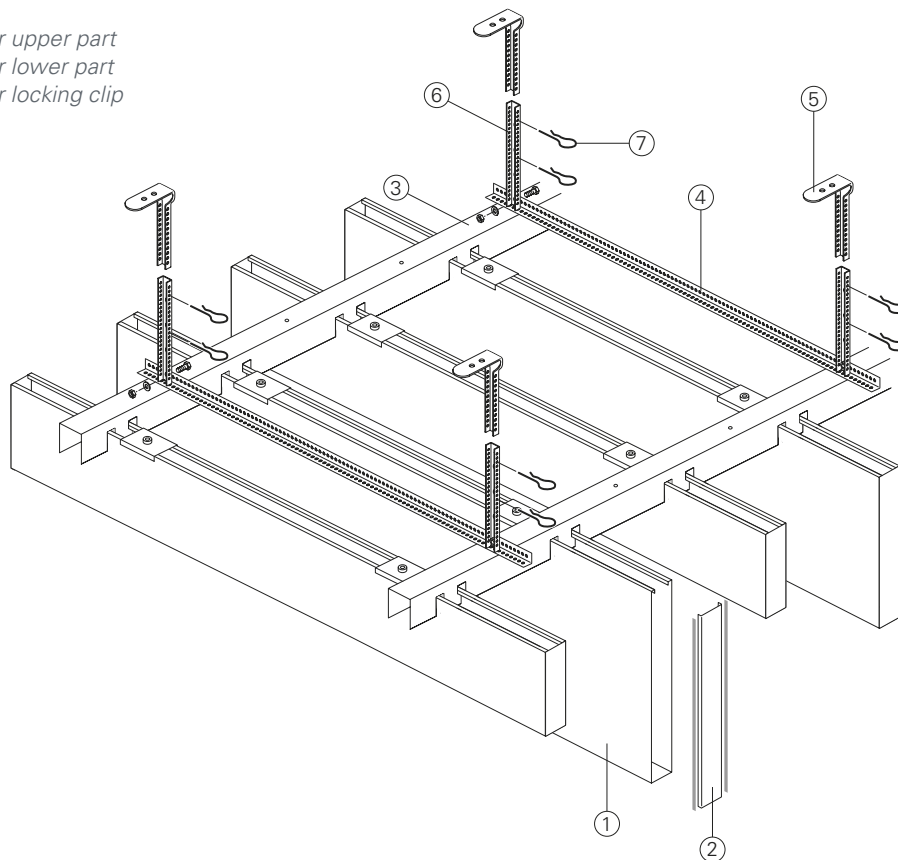
*Project: Tavola™ Levels Concept*

## KEY FEATURES

- Profile lengths up to 5000 mm
- Profile heights: 50 - 300 mm
- Profile widths: 20, 30, 40 and 50 mm
- Standard FE carrier 40 x 50 mm, black
- On site waste reduction with factory fabricated dimensional material
- Downweight: reduce static load with lightweight steel or aluminum
- Standard from pre-painted steel strip
- Easy plenum access

**TYPICAL ISOMETRICS**

- 1 = Tavola™ Baffle
- 2 = End cap
- 3 = Carrier
- 4 = Primary grid
- 5 = Nonius hanger upper part
- 6 = Nonius hanger lower part
- 7 = Nonius hanger locking clip



Maximum spans primary and secondary grid 1200 mm  
 Maximum cantilevers 300 mm

**PERFORATION PATTERNS**

Standard patterns shown. See page 350 for all perforation patterns.  
 Scale shown: 1:1, unless otherwise noted.

D1522 Ø 1.5 mm ⌈ 4 ⇔ 4	D2022 Ø 2 mm ⌈ 5 ⇔ 5	R1511 Ø 1.5 mm ⌈ 4 ⇔ 4	R2011 Ø 2 mm ⌈ 5 ⇔ 5	R2516 Ø 2.5 mm ⌈ 5.5 ⇔ 5.5
Openness 22%	Openness 22%	Openness 11%	Openness 11%	Openness 16%

**PHYSICAL DATA**

**Substrate:** Steel or Aluminium  
**Fire rating:** Class A2,s2,d0 according EN 13501-1  
**Weight:** Varies 4.9 - 7.8 kg/m<sup>2</sup>  
**Light reflectance (LR) Coefficient:**  
 - Varies with finish  
 - RAL9010: LR = 0.81  
**Acoustic ratings:** α<sub>w</sub> 0.4 - 0.5 (H): See page 352

**BIM**  
 REVIT files available, see website for details.

**LEED V4 CREDITS**

MR : Building Product Disclosure  
 EQ : Low-Emitting Materials  
 EQ : Indoor Air Quality Assessment  
 EQ : Acoustic Performance

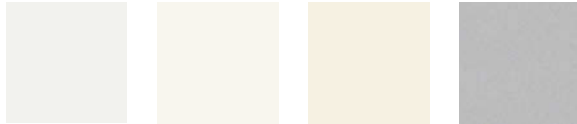
**CERTIFICATIONS**

TAIM QS  
 French VOC Regulation: Class A  
 EPD: Available upon request

**COLOURS AND FINISHES**

Hunter Douglas offers a wide choice of colours and finishes. Custom colour matching is available upon request. Please contact your local Hunter Douglas sales office for minimum quantities and lead times. See website for the most up to date information. Colours are for illustration purposes only.

**STANDARD PAINT COLOURS**



0181 RAL 9003    0106 RAL 9016    0280 RAL 9010    7163 RAL 9006

**CUSTOM COLOURS**



**DECORATED WOOD-LOOK OPTIONS**

Powder-coat paint finish (interior and exterior). Formaldehyde-free, Class A composite panel. This finish is recommended for exterior conditions.



Fonthill Cherry 8426    Walnut 8424    Amber Bamboo 8435    African Wenge 8944    Grey Barnwood Cedar 8437    Golden Douglas Fir 8436    American Oak 8439    Cajun Cypress 8442



Swamp Cypress 8444    Clipper Teak 8446    Windjammer Teak 8449    Douglas Fir 8452    Anigre 8453    Farm Maple 8458    Caravel Teak 8460    Regatta Teak 8461



Summer Maple 8465    Terrace Maple 8466    Red River Pecan 8467    Bayou Pecan 8468    Northwest Mountain Hemlock 8489    Whitewash 8498    Rustic Cherry 8939    Cherry 8942

**LAMINATED (FILM) WOOD OPTIONS**

Pre-painted coil with a PVC film finish, for interior only.



Oak 8920    Maple 8921    Cherry 8922    Cypress 8925    Grey Cedar 8931    Teak 8923    Whitewash 8924    Walnut 8927

**COIL COATED WOOD-LOOK OPTIONS**

Coil-coated paint finishes are suitable for interior applications.



Cherry 8928    Teak 8929    Dark Walnut 8930

**STAINLESS STEEL OPTIONS**

Object shows reflectivity of finish



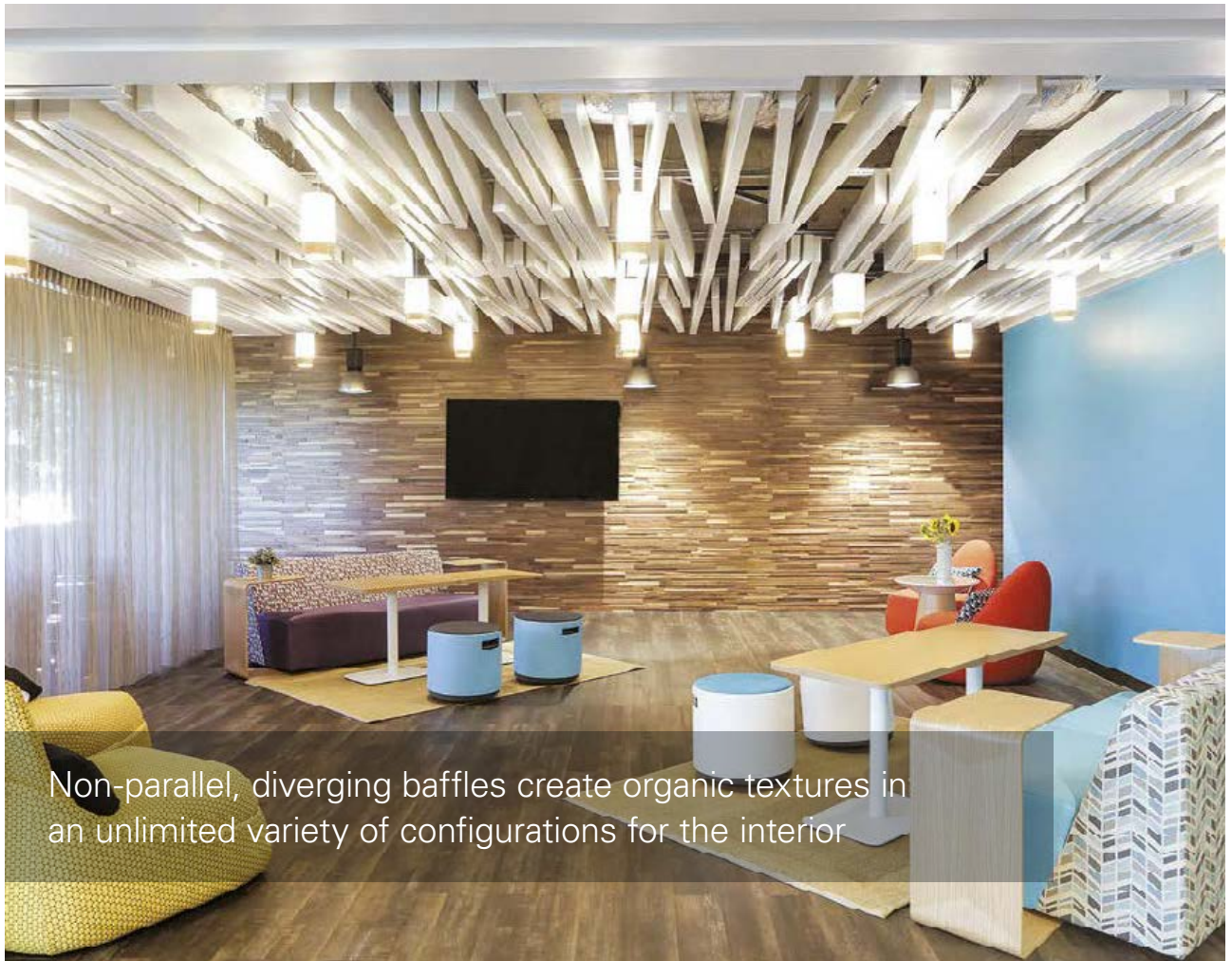
Satin 7772C    Brushed 7774C    Bright 7776C    Mirror 7778C





Project: Bucharest Veranda shopping mall, Bucharest, Romania - Products: V100 - Architect: Chapman Taylor Studio 10M





Non-parallel, diverging baffles create organic textures in an unlimited variety of configurations for the interior

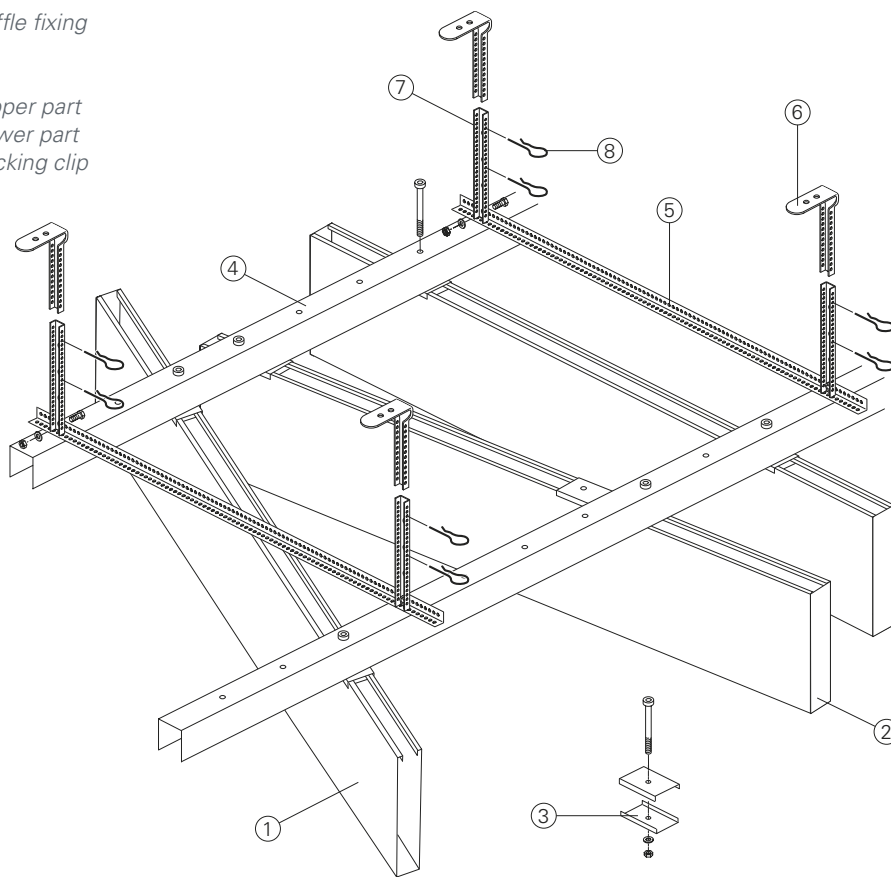
Project: Booking.com, Orlando, FL - Product: Baffles Tavola™ (Divergent) - Photo credit: MACBETH PHOTO

## KEY FEATURES

- Profile lengths up to 5000 mm
- Profile heights: 50 - 300 mm
- Profile widths: 20, 30, 40 and 50 mm
- Standard FE carrier 40 x 50 mm, black
- On site waste reduction with factory fabricated dimensional material
- Downweight: reduce static load with lightweight steel or aluminum
- Standard from pre-painted steel strip
- Easy plenum access

**TYPICAL ISOMETRICS**

- 1 = Tavola™ Baffle
- 2 = End cap
- 3 = Locking plate/ Baffle fixing
- 4 = Carrier
- 5 = Primary grid
- 6 = Nonius hanger upper part
- 7 = Nonius hanger lower part
- 8 = Nonius hanger locking clip



Maximum spans primary and secondary grid 1200 mm  
 Maximum cantilevers 300 mm

**PERFORATION PATTERNS**

Standard patterns shown. See page 350 for all perforation patterns.  
 Scale shown: 1:1, unless otherwise noted.

D1522 Ø 1.5 mm ⌈ 4 ⇔ 4	D2022 Ø 2 mm ⌈ 5 ⇔ 5	R1511 Ø 1.5 mm ⌈ 4 ⇔ 4	R2011 Ø 2 mm ⌈ 5 ⇔ 5	R2516 Ø 2.5 mm ⌈ 5.5 ⇔ 5.5
Openness 22%	Openness 22%	Openness 11%	Openness 11%	Openness 16%

**PHYSICAL DATA**

**Substrate:** Steel or Aluminium  
**Fire rating:** Class A2,s2,d0 according EN 13501-1  
**Weight:** Varies 4.9 - 7.8 kg/m<sup>2</sup>  
**Light reflectance (LR) Coefficient:**  
 - Varies with finish  
 - RAL9010: LR = 0.81  
**Acoustic ratings:** α<sub>w</sub> 0.4 - 0.5 (H): See page 352

**BIM**

REVIT files available, see website for details.

**LEED V4 CREDITS**

- MR : Building Product Disclosure
- EQ : Low-Emitting Materials
- EQ : Indoor Air Quality Assessment
- EQ : Acoustic Performance

**CERTIFICATIONS**

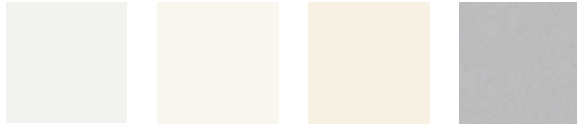
- TAIM QS
- French VOC Regulation: Class A
- EPD: Available upon request



**COLOURS AND FINISHES**

Hunter Douglas offers a wide choice of colours and finishes. Custom colour matching is available upon request. Please contact your local Hunter Douglas sales office for minimum quantities and lead times. See website for the most up to date information. Colours are for illustration purposes only.

**STANDARD PAINT COLOURS**



0181 RAL 9003    0106 RAL 9016    0280 RAL 9010    7163 RAL 9006

**CUSTOM COLOURS**



**DECORATED WOOD-LOOK OPTIONS**

Powder-coat paint finish (interior and exterior). Formaldehyde-free, Class A composite panel. This finish is recommended for exterior conditions.



Fonthill Cherry 8426    Walnut 8424    Amber Bamboo 8435    African Wenge 8944    Grey Barnwood Cedar 8437    Golden Douglas Fir 8436    American Oak 8439    Cajun Cypress 8442



Swamp Cypress 8444    Clipper Teak 8446    Windjammer Teak 8449    Douglas Fir 8452    Anigre 8453    Farm Maple 8458    Caravel Teak 8460    Regatta Teak 8461



Summer Maple 8465    Terrace Maple 8466    Red River Pecan 8467    Bayou Pecan 8468    Northwest Mountain Hemlock 8489    Whitewash 8498    Rustic Cherry 8939    Cherry 8942

**LAMINATED (FILM) WOOD OPTIONS**

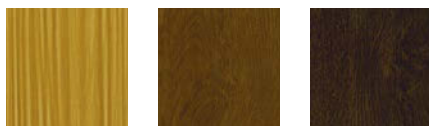
Pre-painted coil with a PVC film finish, for interior only.



Oak 8920    Maple 8921    Cherry 8922    Cypress 8925    Grey Cedar 8931    Teak 8923    Whitewash 8924    Walnut 8927

**COIL COATED WOOD-LOOK OPTIONS**

Coil-coated paint finishes are suitable for interior applications.



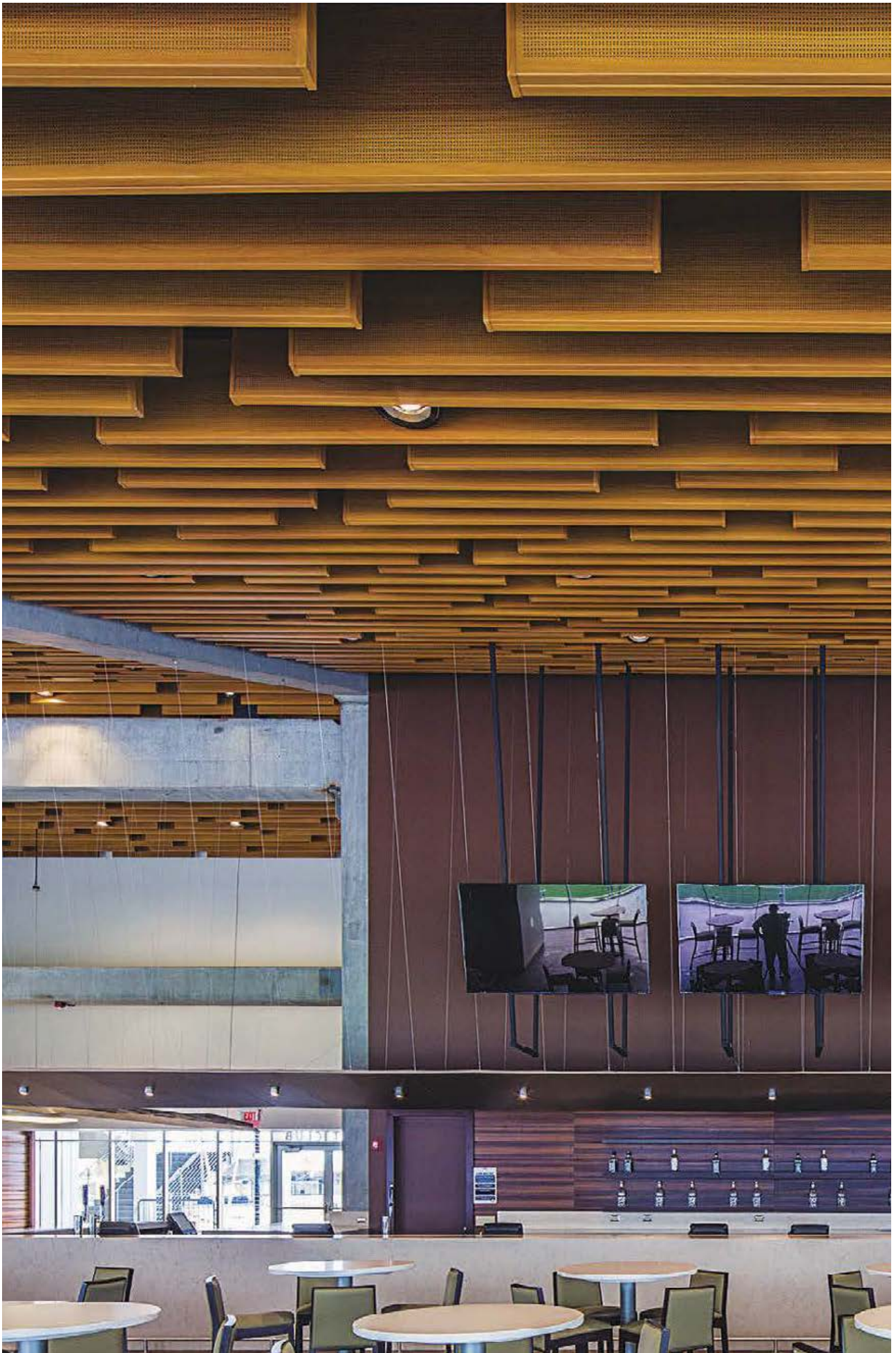
Cherry 8928    Teak 8929    Dark Walnut 8930

**STAINLESS STEEL OPTIONS**

Object shows reflectivity of finish



Satin 7772C    Brushed 7774C    Bright 7776C    Mirror 7778C



Project: Citrus Bow, Orlando, FL, USA - Product: Baffles Tavola™ (Divergent) - Photo credits Bob Perzel





The Sedes™ Straight Baffle ceiling system offers easy ceiling access and flexible, customisable designs for interior commercial spaces.

*Project: Avery Dennison, Glendale, CA - Product: Baffles Sedes™ (Straight)*

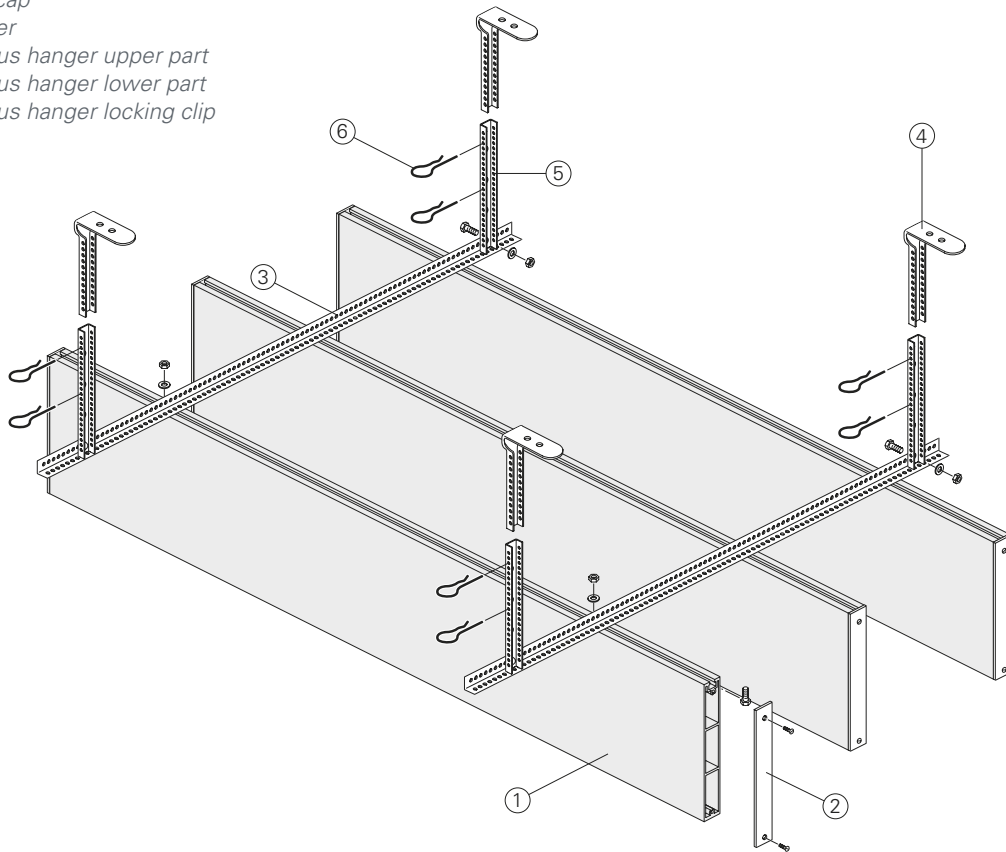
## KEY FEATURES

- Profile lengths up to 6000 mm (longer lengths on request)
- Profile heights: 50 - 300 mm
- Profile widths: 20, 30, 40 and 50 mm
- Standard angle profile as carrier
- On site waste reduction with factory fabricated dimensional material
- Downweight: reduce static load with lightweight aluminum
- Extruded aluminium profile
- Easy plenum access



## TYPICAL ISOMETRICS

- 1 = Sedes™ Baffle
- 2 = End cap
- 3 = Carrier
- 4 = Nonius hanger upper part
- 5 = Nonius hanger lower part
- 6 = Nonius hanger locking clip



Maximum spans primary and secondary grid 1200 mm  
Maximum cantilevers 300 mm

## PHYSICAL DATA

**Substrate:** Aluminium  
**Fire rating:** Class A2,s1,d0 according EN 13501-1  
**Weight:** Varies 7 - 12.5 kg/m<sup>2</sup>  
**Light reflectance (LR) Coefficient:**  
 - Varies with finish  
 - RAL9010: LR = 0.81

## BIM

REVIT files available, see website for details.

## LEED V4 CREDITS

MR : Building Product Disclosure  
 EQ : Low-Emitting Materials  
 EQ : Indoor Air Quality Assessment

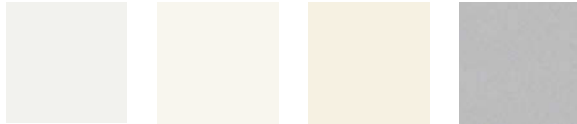
## CERTIFICATIONS

TAIM QS  
 French VOC Regulation: Class A  
 EPD: Available upon request

**COLOURS AND FINISHES**

Hunter Douglas offers a wide choice of colours and finishes. Custom colour matching is available upon request. Please contact your local Hunter Douglas sales office for minimum quantities and lead times. See website for the most up to date information. Colours are for illustration purposes only.

**STANDARD PAINT COLOURS**



0181 RAL 9003    0106 RAL 9016    0280 RAL 9010    7163 RAL 9006

**CUSTOM COLOURS**



**DECORATED WOOD-LOOK OPTIONS**

Powder-coat paint finish (interior and exterior). Formaldehyde-free, Class A composite panel. This finish is recommended for exterior conditions.



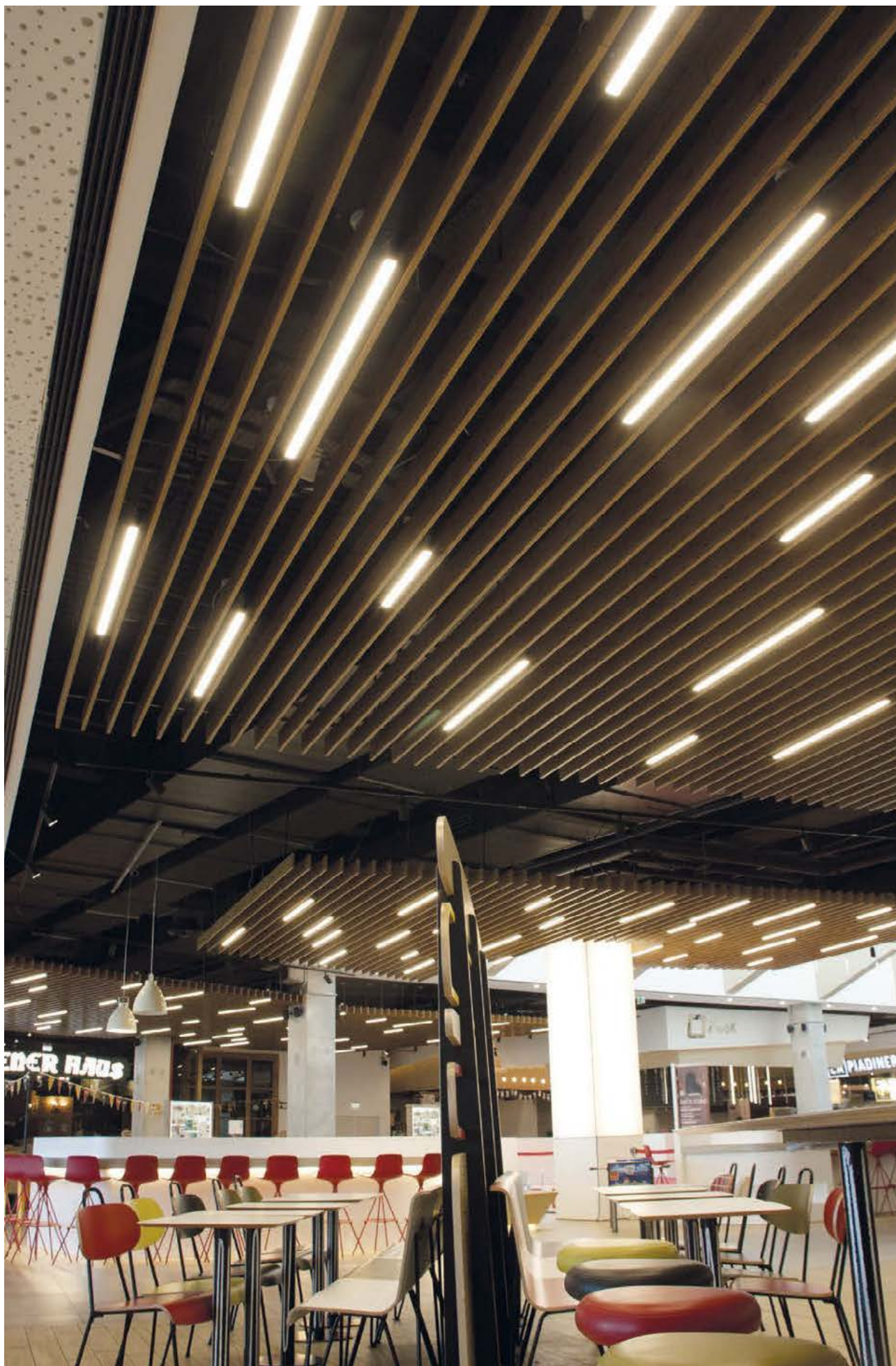
Fonthill Cherry 8426    Walnut 8424    Amber Bamboo 8435    African Wenge 8944    Grey Barnwood Cedar 8437    Golden Douglas Fir 8436    American Oak 8439    Cajun Cypress 8442



Swamp Cypress 8444    Clipper Teak 8446    Windjammer Teak 8449    Douglas Fir 8452    Anigre 8453    Farm Maple 8458    Caravel Teak 8460    Regatta Teak 8461

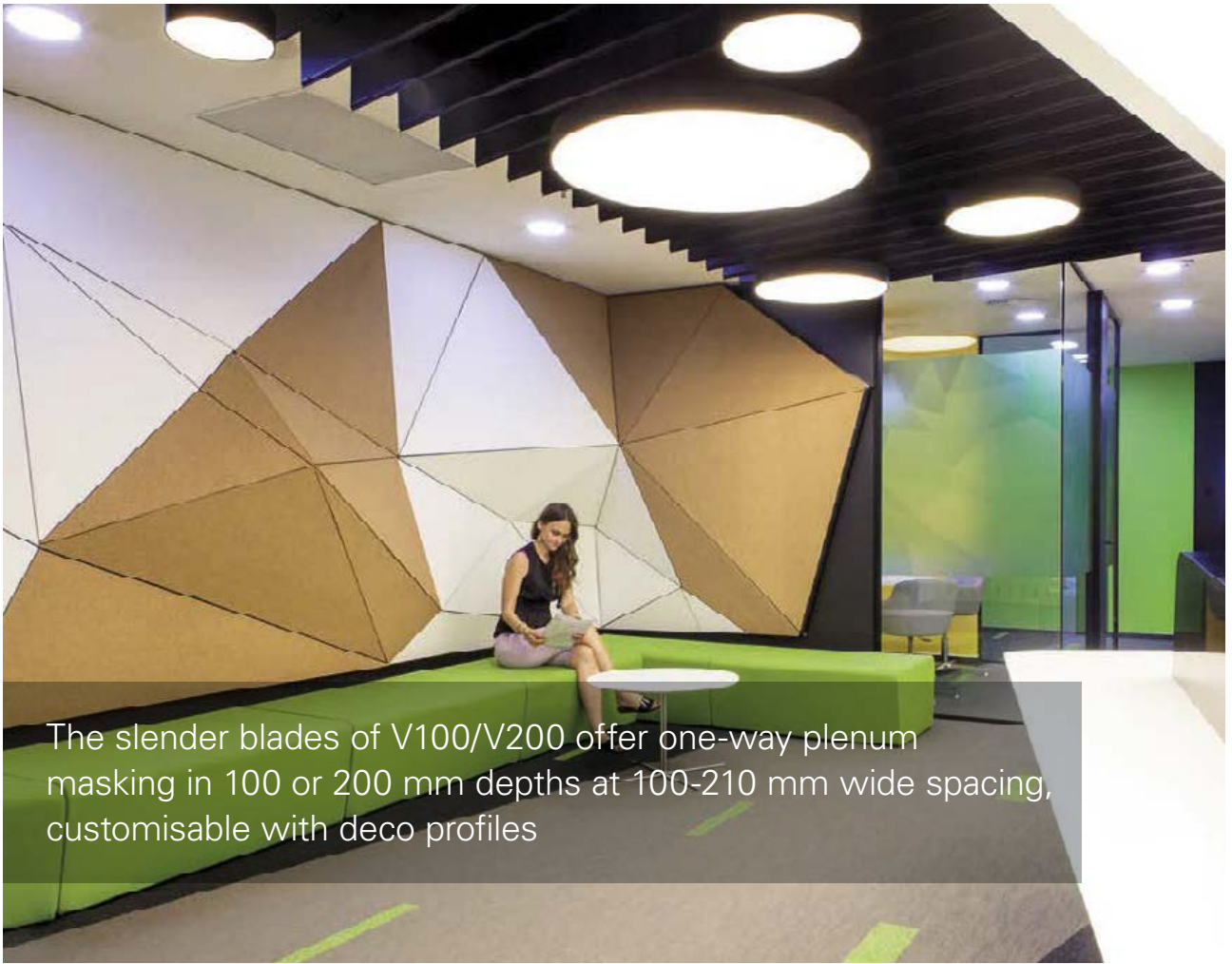


Summer Maple 8465    Terrace Maple 8466    Red River Pecan 8467    Bayou Pecan 8468    Northwest Mountain Hemlock 8489    Whitewash 8498    Rustic Cherry 8939    Cherry 8942



Project: Ikea, Roncadelle, Italy - Product: Baffles Sedes™ (Straight)





The slender blades of V100/V200 offer one-way plenum masking in 100 or 200 mm depths at 100-210 mm wide spacing, customisable with deco profiles

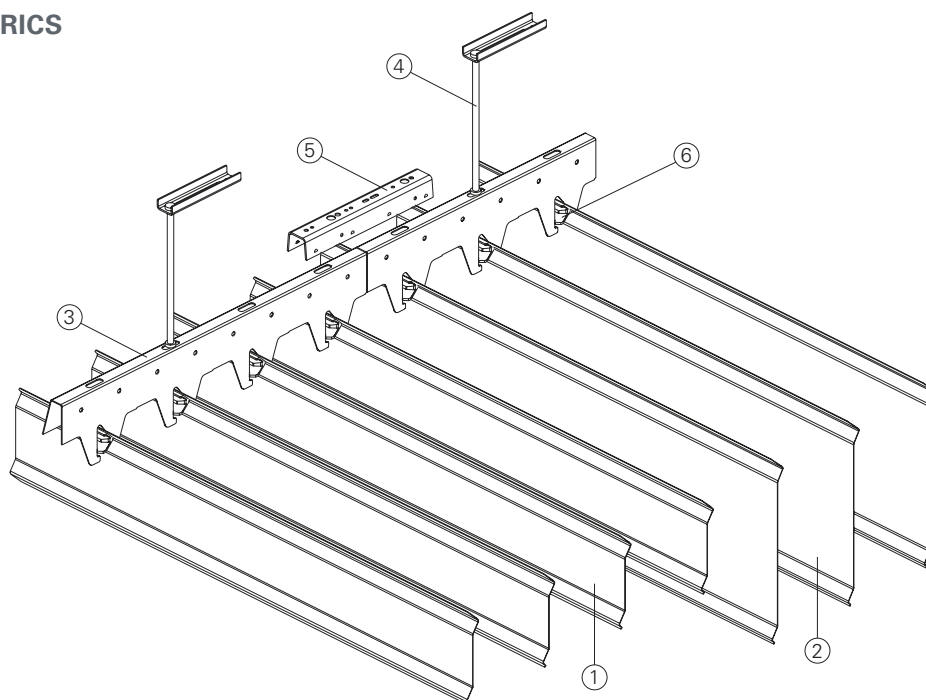
Project: VEEAM Headquarters, Bucharest, Romania - Product: Baffles V100/V200 (Screens) - Architect: AMA Design (Anda Manu)

## KEY FEATURES

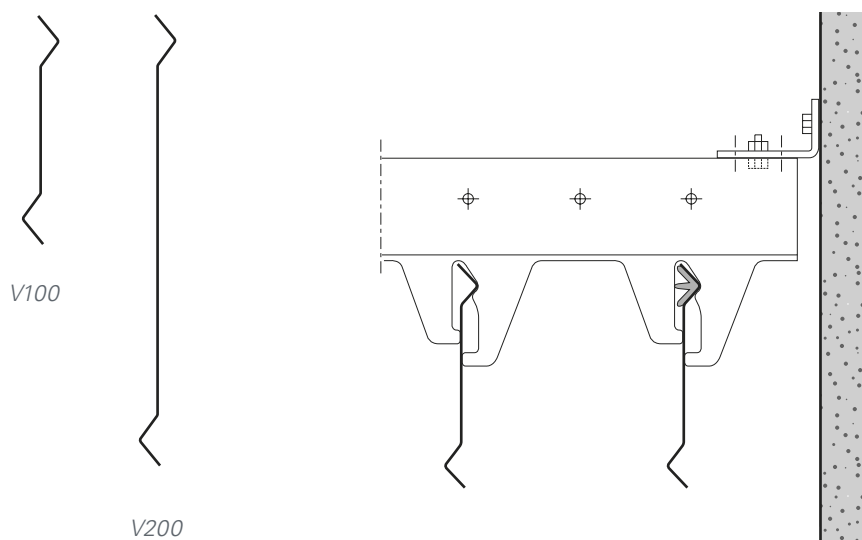
- Panel length: 800 mm up to 6000 mm
- Panel heights: 100 mm (V100); 200 mm (V200)
- Sliding carriers can be used for repeated plenum access areas
- Also available in exterior application (V100 only)
- On site waste reduction with factory fabricated dimensional material
- Downweight: reduce static load with lightweight aluminum
- Easy plenum access
- Compatible with industry standard lighting, HVAC, speaker, fire safety, and security services
- Option of deco profile clipped to the bottom of the V100/200 blade. In extruded aluminium or solid wood

## TYPICAL ISOMETRICS

- 1 = V100 panel
- 2 = V200 panel
- 3 = carrier
- 4 = hanger
- 5 = carrier splice
- 6 = panel fixing clip



## TYPICAL SECTIONS



## PHYSICAL DATA

- Substrate: Aluminium
- Fire rating: Class A2,s1,d0 according EN 13501-1
- Weight: varies ca 1.1 kg/m<sup>2</sup> - 3.9 kg/m<sup>2</sup>
- Light reflectance (LR) Coefficient:
  - Varies with finish
  - RAL9010: LR = 0.81

### BIM

REVIT files available, see website for details.

## LEED V4 CREDITS

- MR : Building Product Disclosure
- EQ : Low-Emitting Materials
- EQ : Indoor Air Quality Assessment

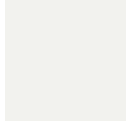
## CERTIFICATIONS

- ISO 9001
- ISO 14001
- TAIM certified
- French VOC Regulation: Class A+
- EPD: Available upon request

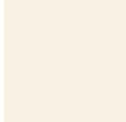
**COLOURS AND FINISHES**

Hunter Douglas offers a wide choice of colours and finishes. Custom colour matching is available upon request. Please contact your local Hunter Douglas sales office for minimum quantities and lead times. See website for the most up to date information. Colours are for illustration purposes only.

**STANDARD PAINT COLOURS**



0181  
RAL 9003



0280  
RAL 9010



1883  
RAL 9010



7163  
RAL 9006

**CUSTOM COLOURS**



**WOOD TONES**



8476  
Cedar



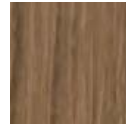
8474  
Pine



8494  
Oak

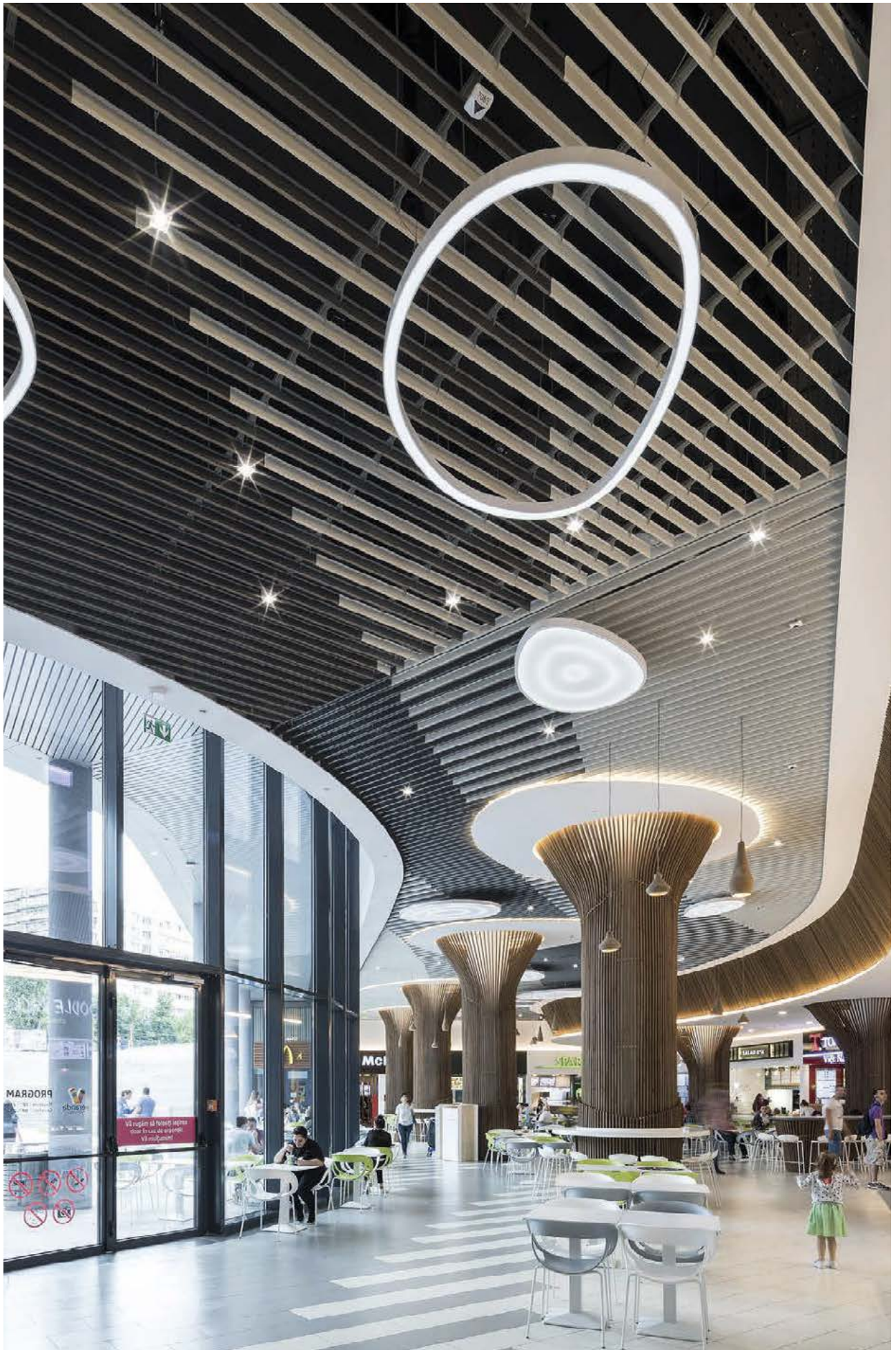


8492  
Birch



8472  
Palisander



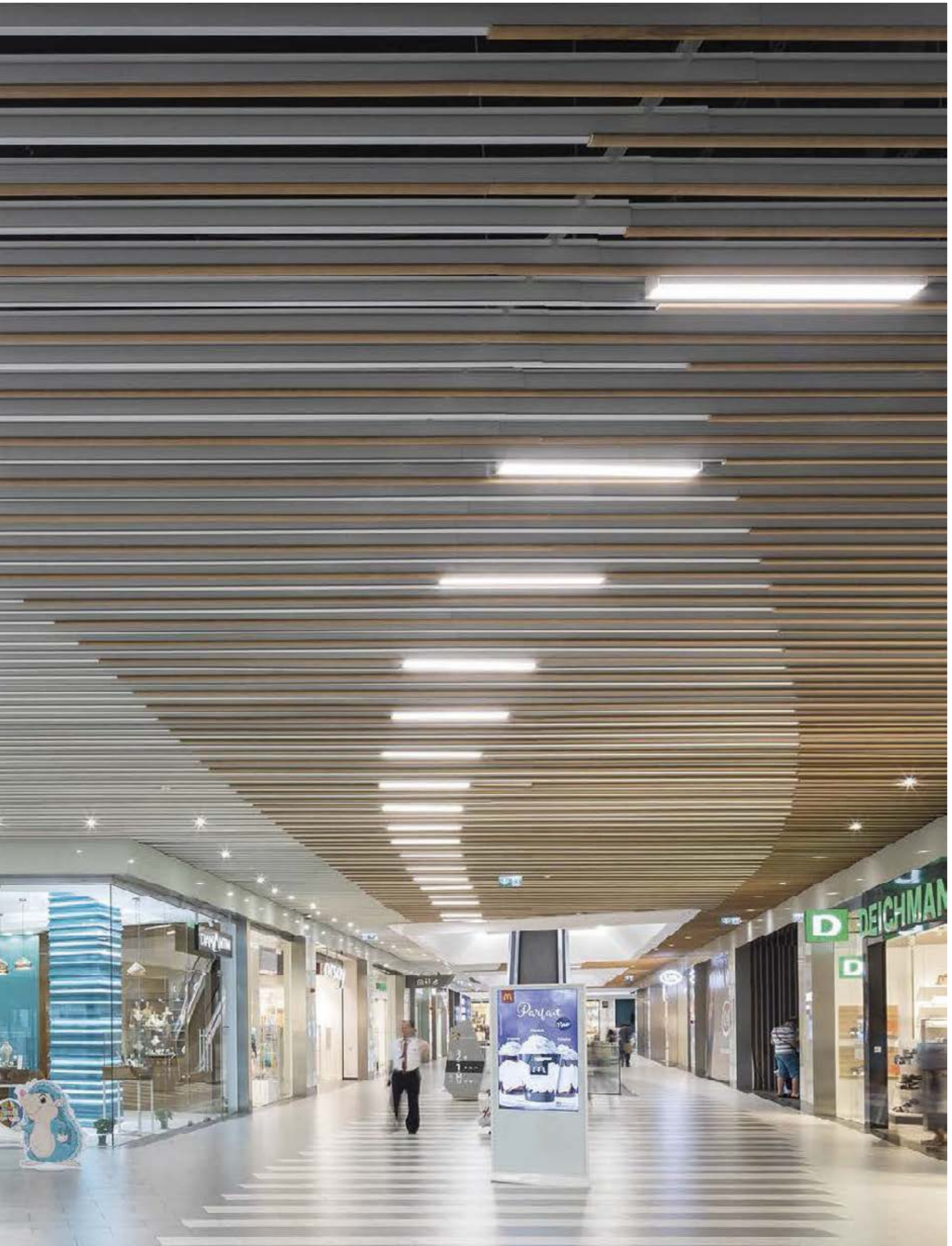


Project: Bucharest Veranda shopping mall, Bucharest, Romania - Products: Baffles V100/V200 (Screens) - Architect: Chapman Taylor Studio 10M

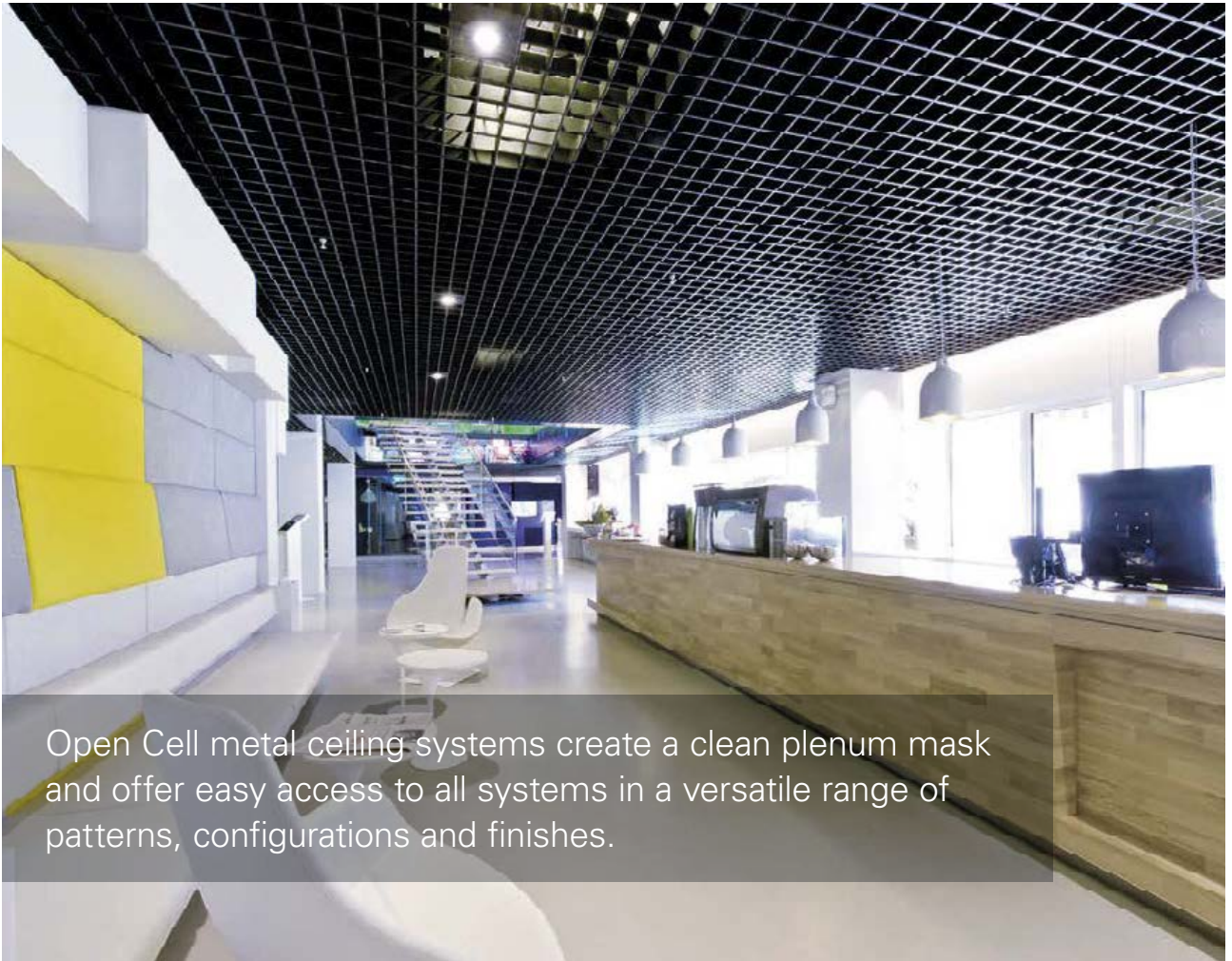




Project: Bucharest Veranda shopping mall, Bucharest, Romania - Products: Baffles V100/V200 (Screens) with Deco profiles  
Architect: Chapman Taylor Studio 10M







Open Cell metal ceiling systems create a clean plenum mask and offer easy access to all systems in a versatile range of patterns, configurations and finishes.

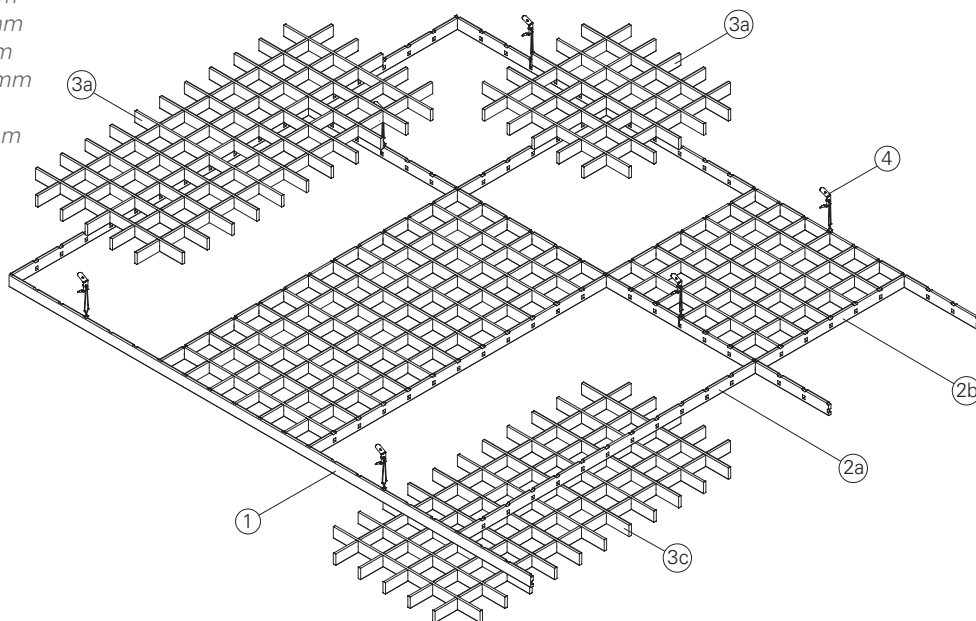
*Project: Corio Nederland, Utrecht, The Netherlands - Product: Cell 40/50/50E - Architect: OTH, Ferdinand van Dam*

## KEY FEATURES

- Tile dimensions 600 x 600 mm and 600 x 1200 mm
- Profile heights: 40 and 50 mm
- Profile width 10 mm
- Standard modules 50, 60, 75, 86, 100, 120, 150 and 200 mm
- Other dimensions and modules available on request
- Bi-directional plenum mask
- Monolithic design with integrated support structure
- On site waste reduction with factory fabricated dimensional material
- Downweight: reduce static load with lightweight aluminum
- Easy plenum access
- Compatible with industry standard lighting, HVAC, speaker, fire safety, and security services

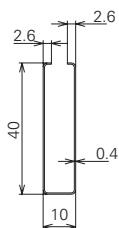
**TYPICAL ISOMETRICS**

- 1 = Main runner 2400 mm
- 2a= Cross runner 1200 mm
- 2b= Cross runner 600 mm
- 3a= Cell tile 1200 x 600 mm (pre-notched hooks)
- 3b= Cell tile 600 x 600 mm (pre-notched hooks)
- 3c= Cell tile 1200 x 600 or 600 x 600 mm (straight ends, for sliding clip)
- 4 = Cell hanger

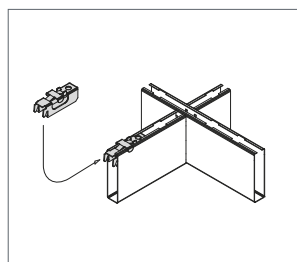


Example Cell40

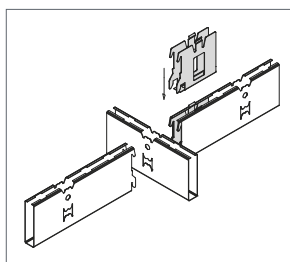
**TYPICAL SECTIONS**



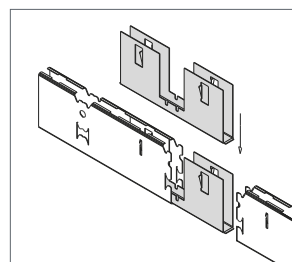
Cell40



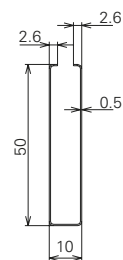
Sliding clip



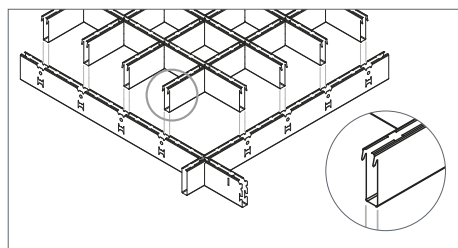
Adaptor bracket



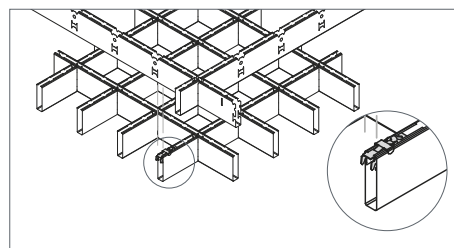
Main runner splice



Cell50 +50E



Pre-notched hooks (all around)



Clean-cut ends + sliding clips (4/tile)

**PHYSICAL DATA**

- Substrate: Aluminium
- Fire rating: Class A2,s1,d0 (plain) according EN 13501-1
- Weight: Varies 2.0 - 5.5 kg/m<sup>2</sup>
- Light reflectance (LR) Coefficient:
  - Varies with finish
  - HD0280: LR = 0.81

**BIM**

REVIT files available, see website for details.

**LEED V4 CREDITS**

- MR: Building Product Disclosure
- EQ : Low-Emitting Materials
- EQ : Indoor Air Quality Assessment

**CERTIFICATIONS**

- ISO 9001
- ISO 14001
- TAIM Ccertified
- French VOC Regulation: Class A+
- EPD: Available upon request

**COLOURS AND FINISHES**

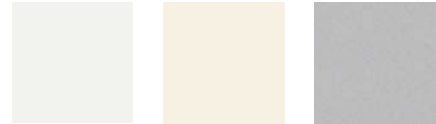
Hunter Douglas offers a wide choice of colours and finishes. Custom colour matching is available upon request. Please contact your local Hunter Douglas sales office for minimum quantities and lead times. See website for the most up to date information. Colours are for illustration purposes only.

**STANDARD PAINT COLOURS (CELL40)**



0181 RAL 9003    0280 RAL 9010    1883 RAL 9010    7163 RAL 9006

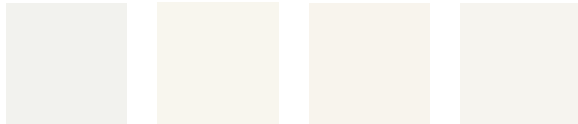
**STANDARD PAINT COLOURS (CELL50E)**



0181 RAL 9003    0280 RAL 9010    7163 RAL 9006

**STANDARD PAINT COLOURS (CELL50)**

**COOL WHITES**



0181 RAL 9003    0106 RAL 9016    0299    0179

**CUSTOM COLOURS**

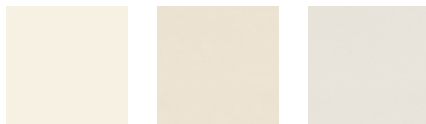


**NATURE TONES**



1585    4648    0785    0735    1883 RAL 9011

**WARM WHITES**



0280 RAL 9010    0581 RAL 9001    0585

**METALS**



7163    7007    7178    7008

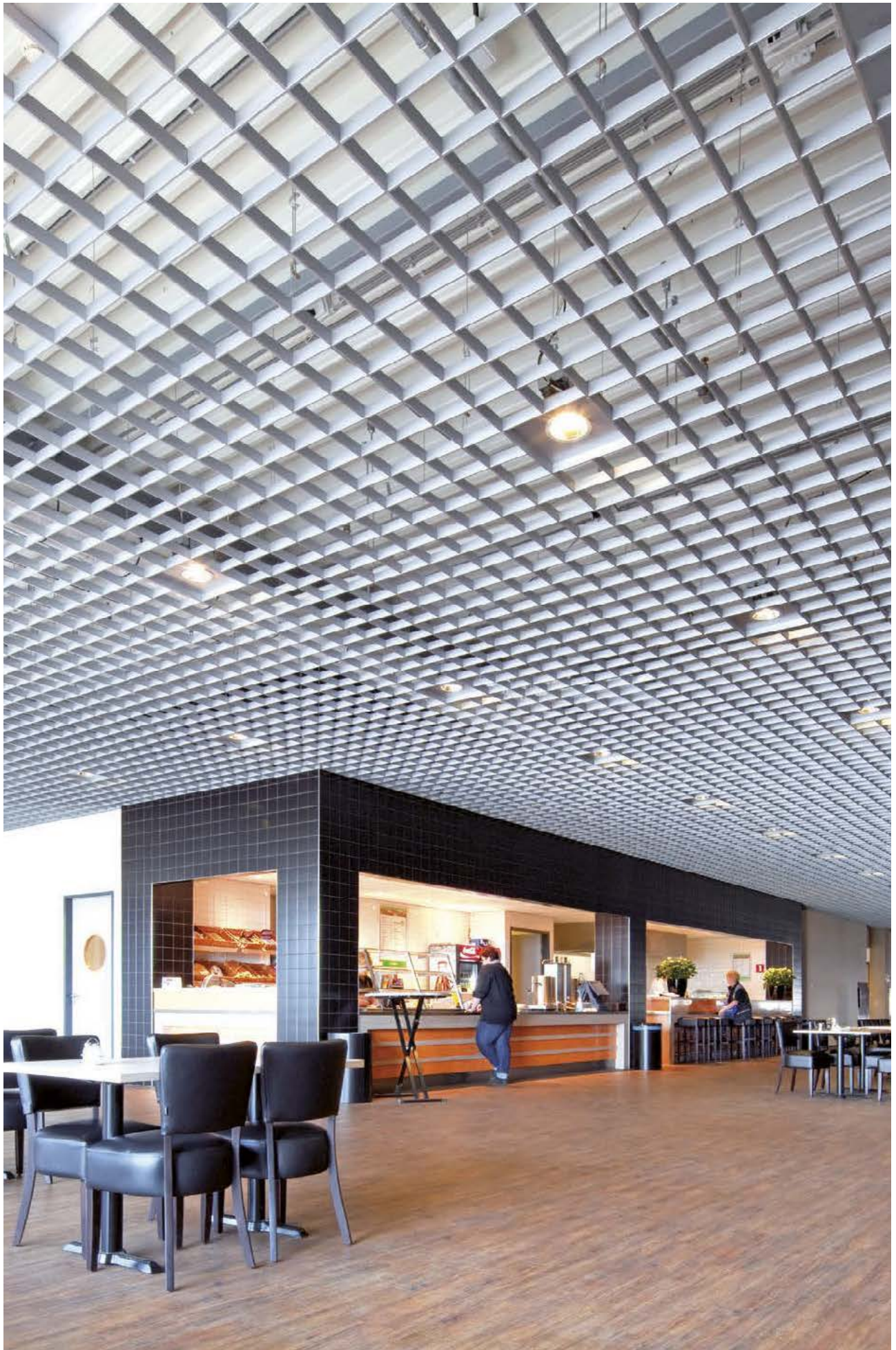
**WOOD TONES**

*(only Cell 50)*



8476 Cedar    8474 Pine    8494 Oak    8492 Birch    8472 Palisander





Project: Plantion Afmijnzaal, Ede, the Netherlands - Product: Cell 40/50/50E - Architect: Breddels Architecten





Cell tiles are easily installed on standard grid systems and create a clean plenum mask with easy access to all systems in a versatile range of patterns and finishes.

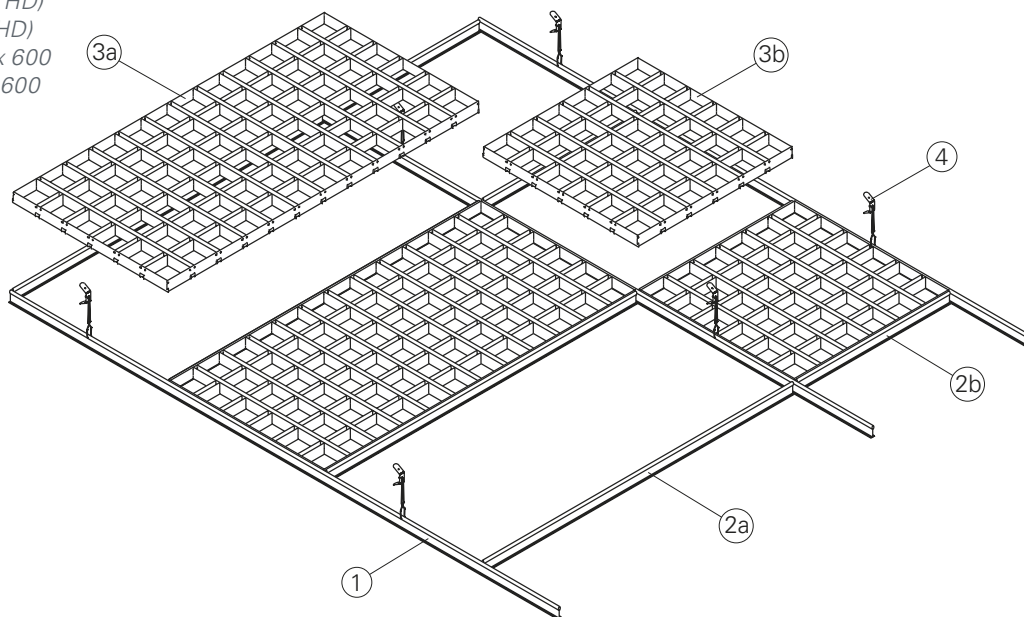
Project: Port Łódź shopping mall, Łódź, Poland - Product: Cell Tiles (T15) - Architect: NCA

## KEY FEATURES

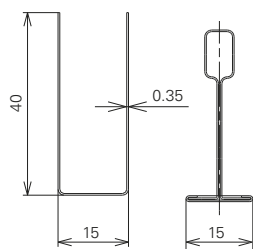
- Tile dimensions 600 x 600 mm and 600 x 1200 mm
- Profile heights: 40 mm
- Profile width 15 mm
- Standard modules 50, 60, 75, 86, 100, 120, 150 and 200 mm
- Other dimensions and modules available on request
- Bi-directional plenum mask
- Fits seamlessly in butted standard T15 grid
- On site waste reduction with factory fabricated dimensional material
- Downweight: reduce static load with lightweight aluminum
- Easy plenum access
- Compatible with industry standard lighting, HVAC, speaker, fire safety, and security services

**TYPICAL ISOMETRICS**

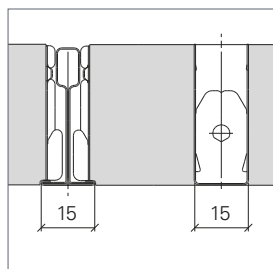
- 1 = Main T-profile 3600 (non HD)
- 2a = Cross T 1200 (non HD)
- 2b = Cross T 600 (non HD)
- 3a = Cell T15 tile 1200 x 600
- 3b = Cell T15 tile 600 x 600
- 4 = Cell hanger



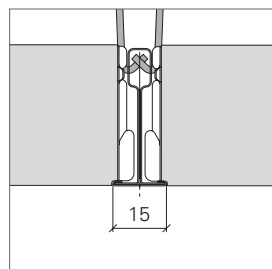
**TYPICAL SECTIONS**



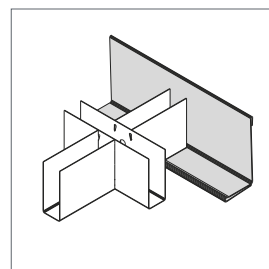
Cell T15



T-profiles flush with tiles



Cell hanger suspension



Edge trimming with L-profile

**PHYSICAL DATA**

- Substrate: Aluminium
- Fire rating: Class A2,s1,d0 (plain) according EN 13501-1
- Weight: Varies 2.0 - 5.5 kg/m<sup>2</sup>
- Light reflectance (LR) Coefficient:
  - Varies with finish
  - HD0280: LR = 0.81

**BIM**

REVIT files available, see website for details.

**LEED V4 CREDITS**

- MR: Building Product Disclosure
- EQ : Low-Emitting Materials
- EQ : Indoor Air Quality Assessment

**CERTIFICATIONS**

- ISO 9001
- ISO 14001
- TAIM Certified
- French VOC Regulation: Class A+
- EPD: Available upon request

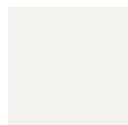


---

## COLOURS AND FINISHES

Hunter Douglas offers a wide choice of colours and finishes. Custom colour matching is available upon request. Please contact your local Hunter Douglas sales office for minimum quantities and lead times. See website for the most up to date information. Colours are for illustration purposes only.

### STANDARD PAINT COLOURS



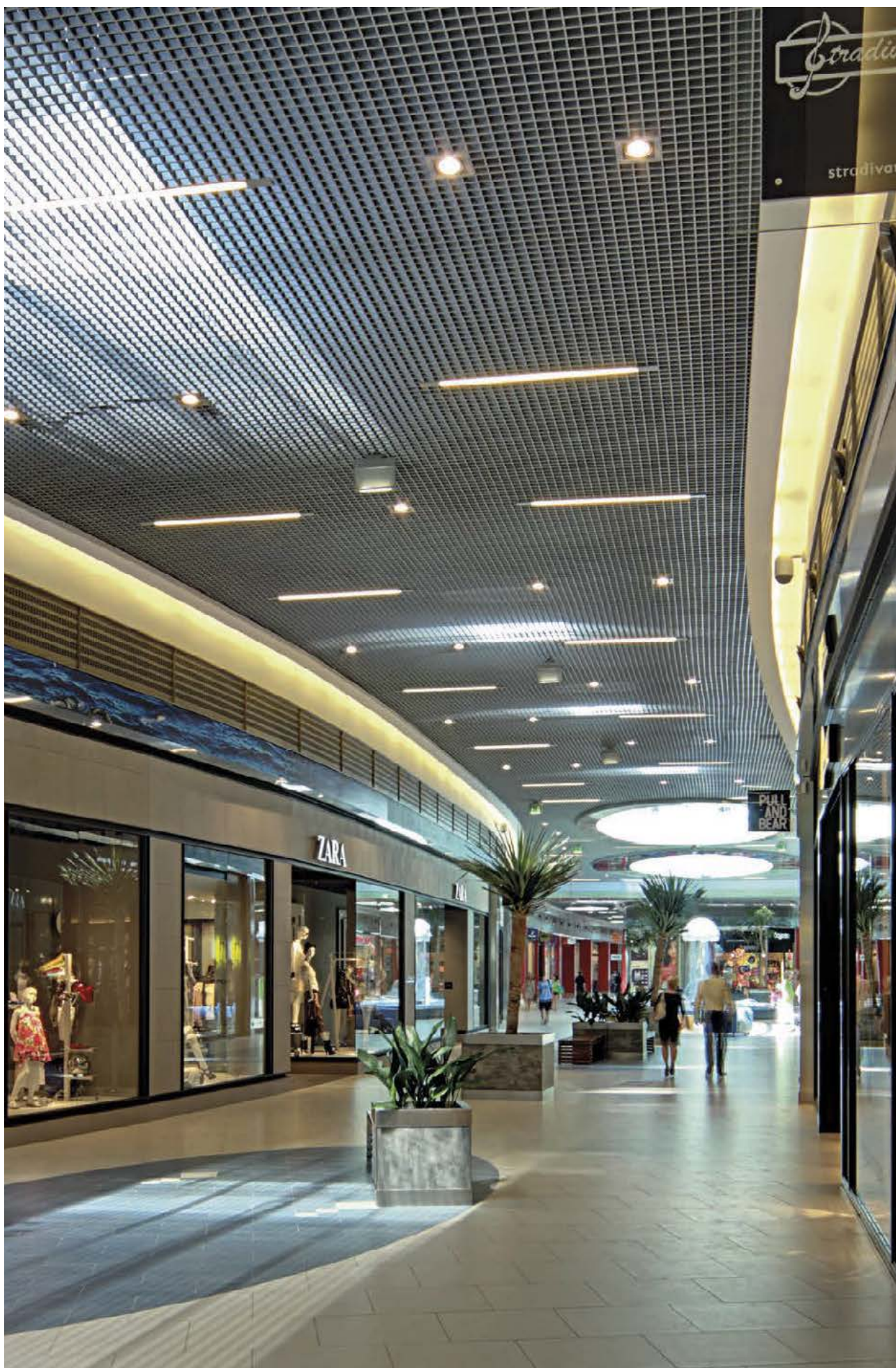
0181  
RAL 9003



1883  
RAL 9010

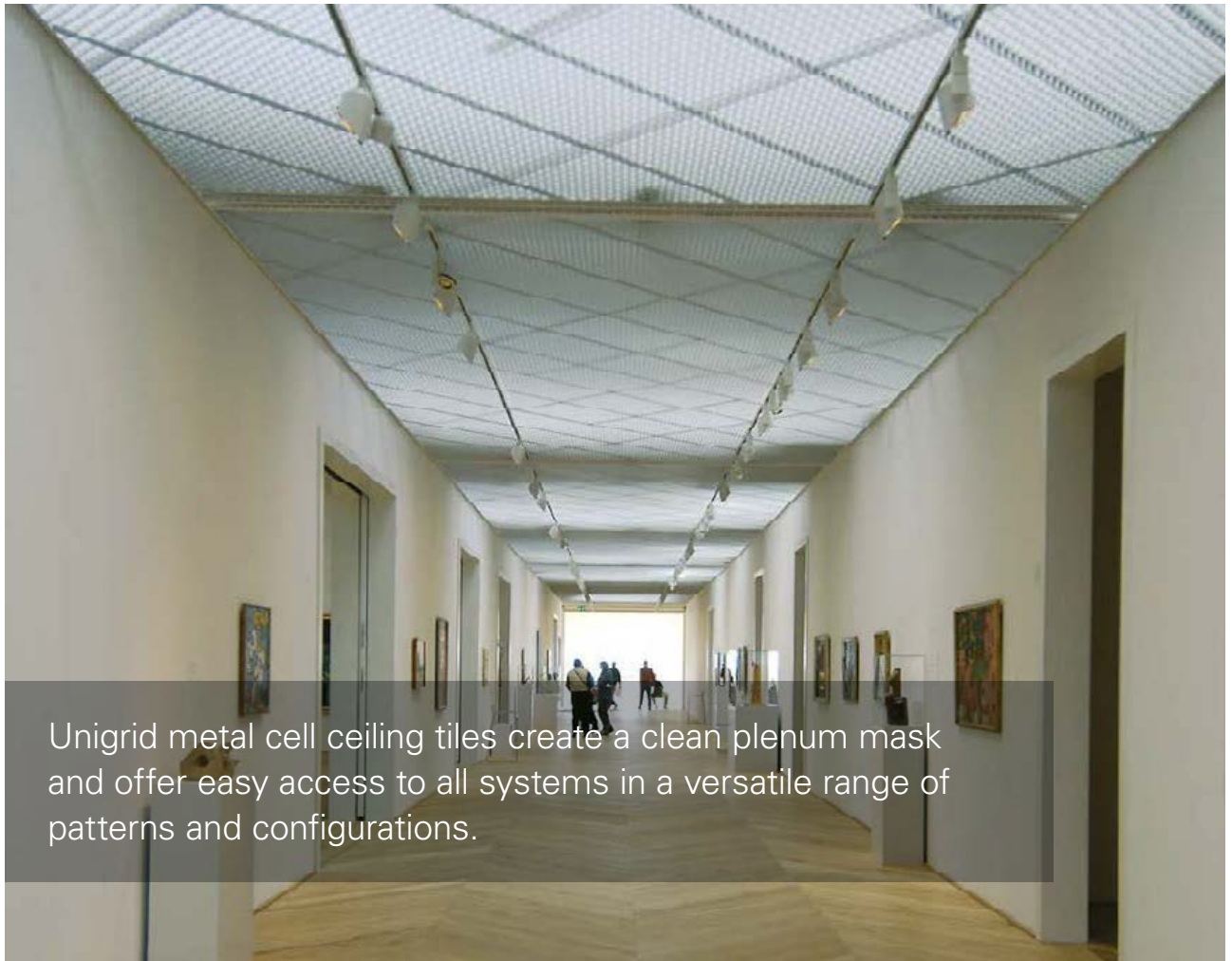


7163  
RAL 9006



Project: Port Łódź shopping mall, Łódź, Poland - Product: Cell Tiles (T15) - Architect: NCA





Unigrig metal cell ceiling tiles create a clean plenum mask and offer easy access to all systems in a versatile range of patterns and configurations.

*Project: Fuglsang Kunstmuseum, Lolland, Denmark - Product: Cell Tiles (Unigrig) - Architect: Tony Fretton Architects og BBP Arkitekter*

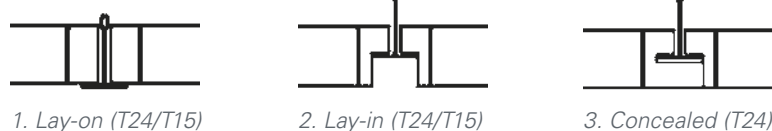
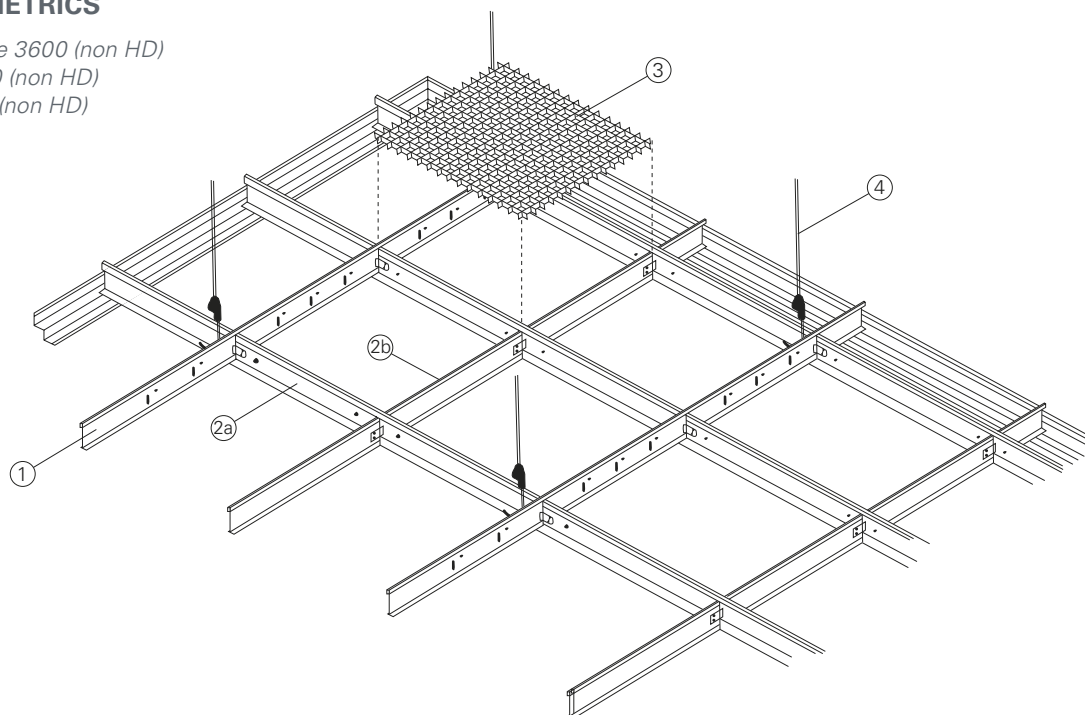
## KEY FEATURES

- Tile dimensions 600 x 600 mm and 600 x 1200 mm
- Standard modules 17, 20, 25, 30, 35, 40, 50, 55, 60, 90 and 100 mm
- Profile heights: 17, 20, 25, 30 and 50 mm
- Other dimensions and modules available on request
- Bi-directional plenum mask
- Fits in butted standard T15/T24 grids
- Downweight: reduce static load with lightweight aluminum
- Easy plenum access
- Compatible with industry standard lighting, HVAC, speaker, fire safety, and security services

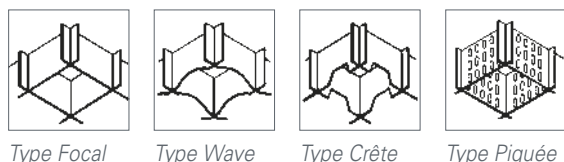


**TYPICAL ISOMETRICS**

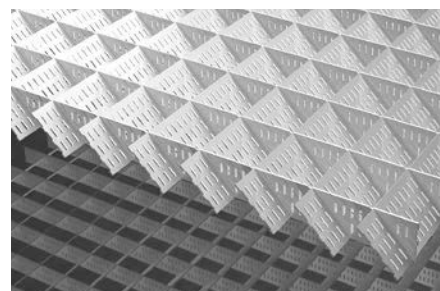
- 1 = Main T-profile 3600 (non HD)
- 2a = Cross T 1200 (non HD)
- 2b = Cross T 600 (non HD)
- 3 = Unigrig tile
- 4 = Hanger



**TYPICAL SECTIONS**



- Focal* : the face is flat
- Wave* : the face is undulating
- Crête* : the face has an angular pattern
- Piquée* : the face is flat, the strips are perforated with vertical oblong perforations



Special design with NUANO tiles in module 30 x 34 mm and height 20 mm

**PHYSICAL DATA**

- Substrate:** Aluminium
- Fire rating:** Class A2,s1,d0 (plain) according EN 13501-1
- Weight:** Varies 1.6 - 3.4 kg/m<sup>2</sup>
- Light reflectance (LR) Coefficient:**
  - Varies with finish
  - HD0280: LR = 0.81

**BIM**  
REVIT files available, see website for details.

**LEED V4 CREDITS**

- MR: Building Product Disclosure
- EQ : Low-Emitting Materials
- EQ : Indoor Air Quality Assessment

**CERTIFICATIONS**

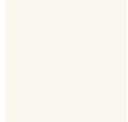
- ISO 9001
- ISO 14001
- TAIM Certified
- French VOC Regulation: Class A+
- EPD: Available upon request

---

## COLOURS AND FINISHES

Hunter Douglas offers a wide choice of colours and finishes. Custom colour matching is available upon request. Please contact your local Hunter Douglas sales office for minimum quantities and lead times. See website for the most up to date information. Colours are for illustration purposes only.

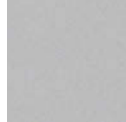
### STANDARD PAINT COLOURS



0106  
RAL 9016



1883  
RAL 9010



7163  
RAL 9006

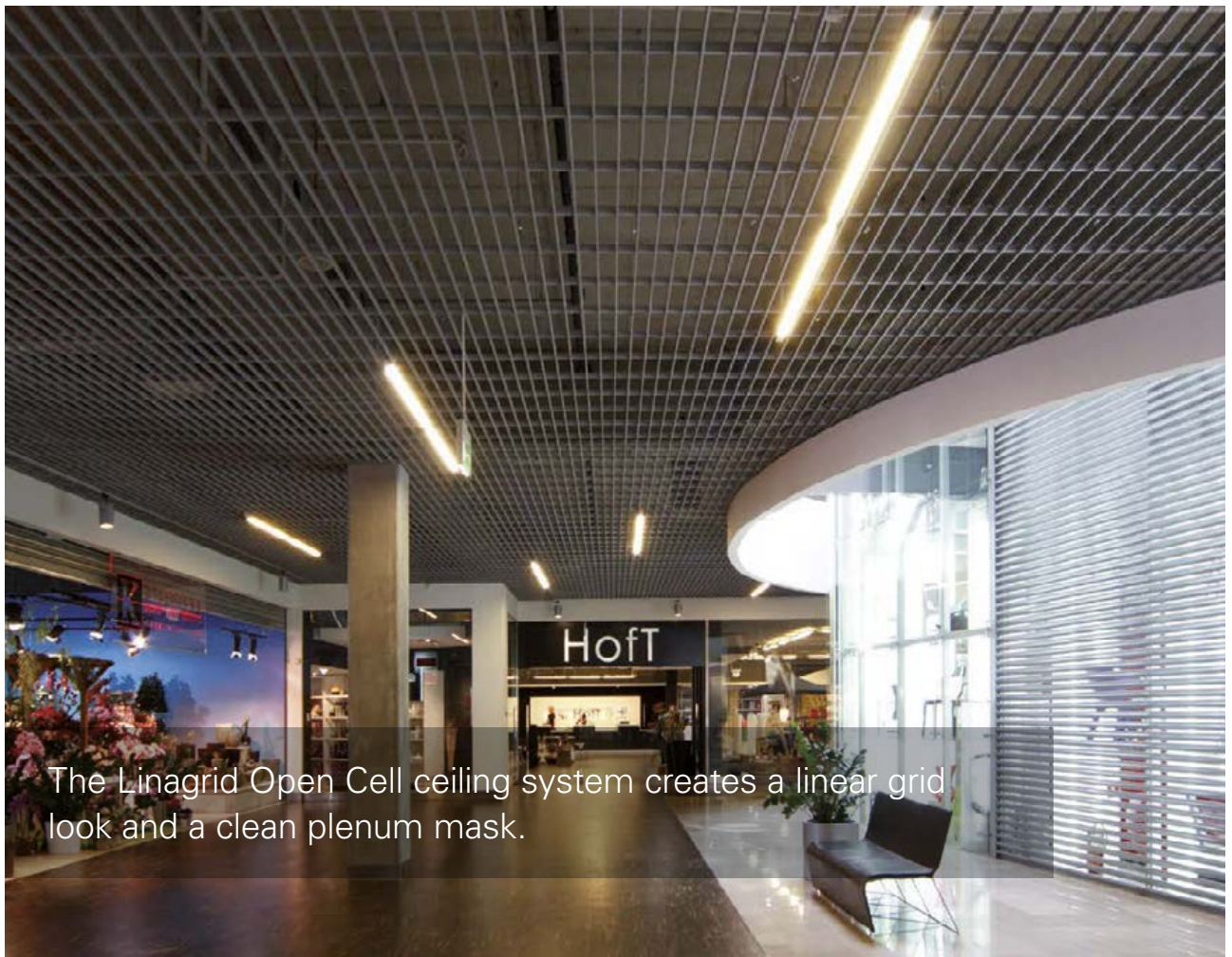
### CUSTOM COLOURS





Project: Gdansk University Chemistry Faculty, Gdansk - Product: Cell Tiles (Unigrid) - Architect: Warsztat architektury





The Linagrid Open Cell ceiling system creates a linear grid look and a clean plenum mask.

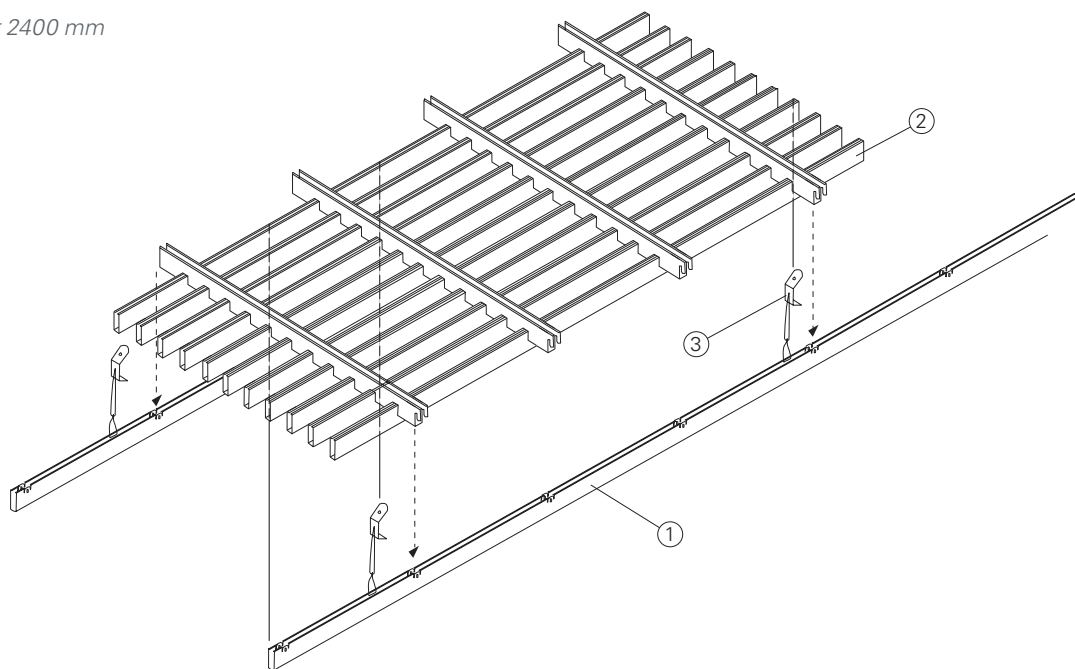
*Project: Domoteka. Furniture shopping Mall, Marki, Poland - Product: Cell Linagrid - Architect: Archmo*

## KEY FEATURES

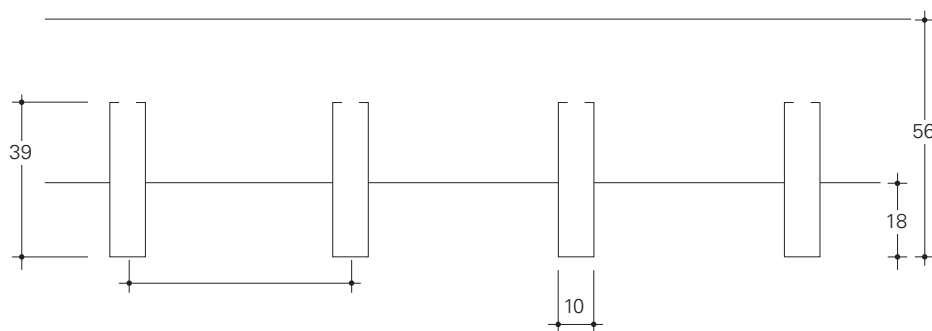
- Tile dimensions 600 x 1200 mm
- Standard modules 50, 60, 75, 86, 100, 120, 150 and 200 mm
- Other dimensions and modules available on request
- One directional plenum mask
- Monolithic design with integrated support structure
- Downweight: reduce static load with lightweight aluminum
- Easy plenum access
- Compatible with industry standard lighting, HVAC, speaker, fire safety, and security services

**TYPICAL ISOMETRICS**

- 1 = Main runner 2400 mm
- 2 = Linagrid tile
- 3 = Cell hanger



**TYPICAL SECTIONS**



**PHYSICAL DATA**

- Substrate: Aluminium
- Fire rating: Class A2,s1,d0 (plain) according EN 13501-1
- Weight: Varies 2.0 - 5.5 kg/m<sup>2</sup>
- Light reflectance (LR) Coefficient:
  - Varies with finish
  - HD0280: LR = 0.81

**BIM**  
 REVIT files available, see website for details.

**LEED V4 CREDITS**

- MR: Building Product Disclosure
- EQ : Low-Emitting Materials
- EQ : Indoor Air Quality Assessment

**CERTIFICATIONS**

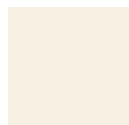
- ISO 9001
- ISO 14001
- TAIM Certified
- French VOC Regulation: Class A+
- EPD: Available upon request

---

## COLOURS AND FINISHES

Hunter Douglas offers a wide choice of colours and finishes. Custom colour matching is available upon request. Please contact your local Hunter Douglas sales office for minimum quantities and lead times. See website for the most up to date information. Colours are for illustration purposes only.

### STANDARD PAINT COLOURS



0280  
RAL 9010



1883  
RAL 9010

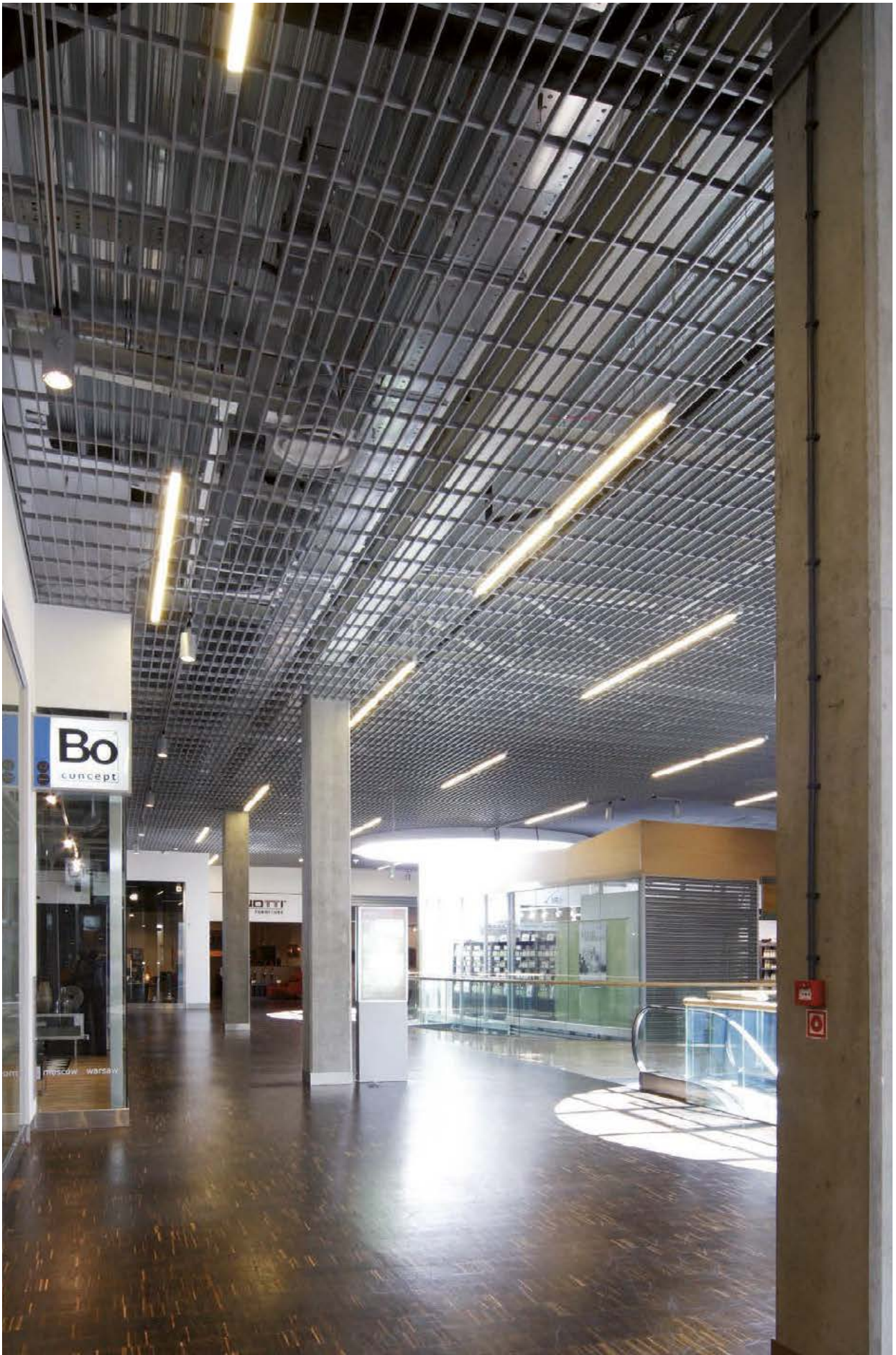


7163  
RAL 9006

### CUSTOM COLOURS

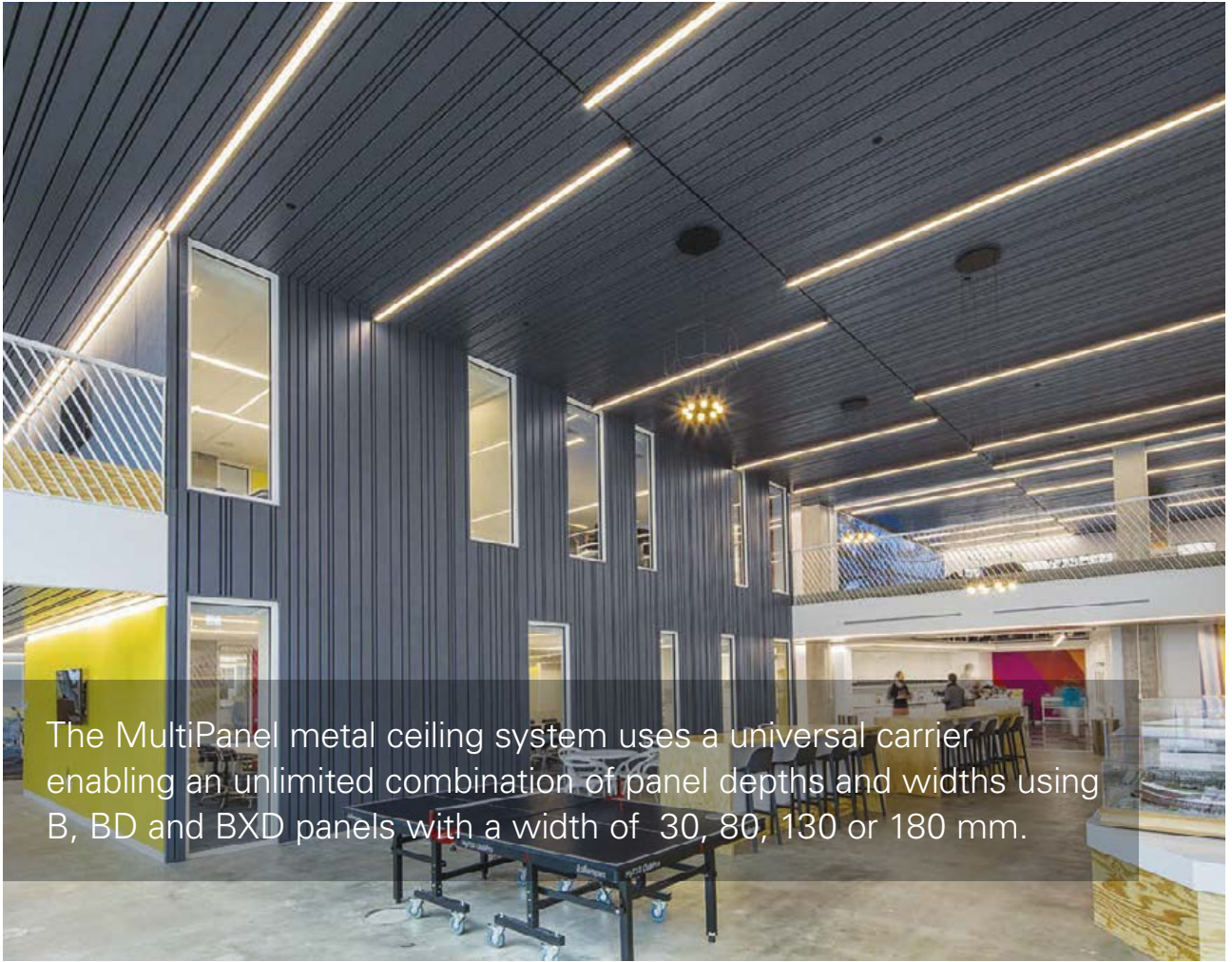






Project: Domoteka. Furniture shopping Mall, Marki, Poland - Product: Cell Linagrid - Architect: Archmo





The MultiPanel metal ceiling system uses a universal carrier enabling an unlimited combination of panel depths and widths using B, BD and BXD panels with a width of 30, 80, 130 or 180 mm.

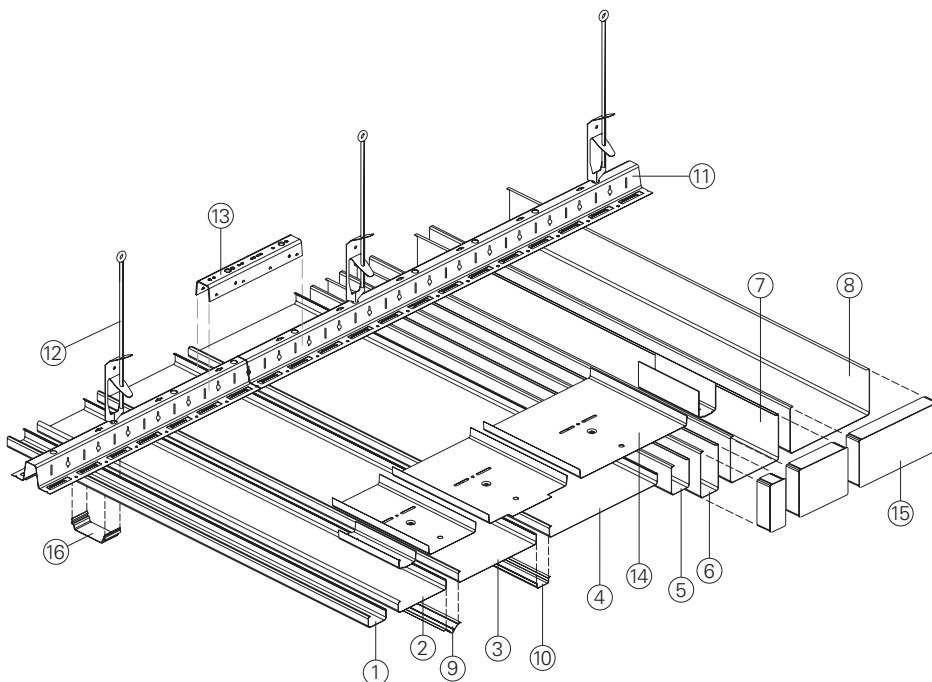
Project: Populous Office, Kansas City, MO Product: Linear MultiPanel - Photo credit: Bob Perzel

## KEY FEATURES

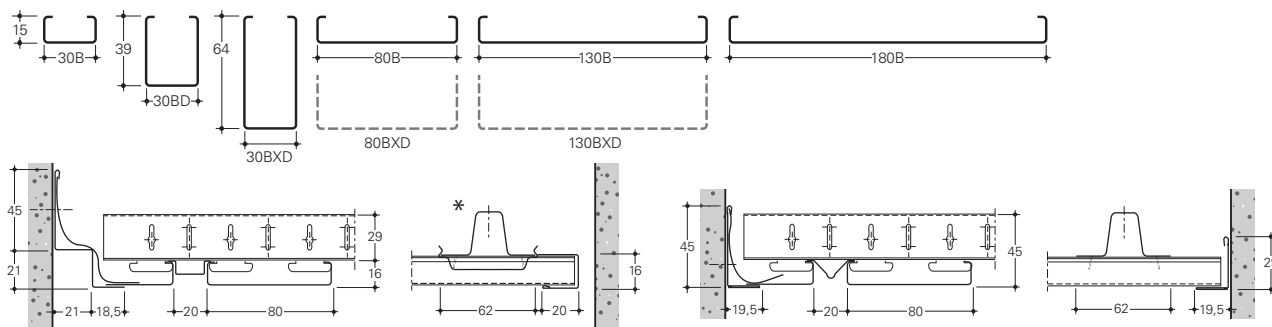
- Panel widths: 30 mm, 80 mm, 130 mm and 180 mm, joint width 20 mm
- Panel length: 800 mm up to 6000 mm
- Panel depths:
  - 15 mm (30B, 80B, 130B, 180B)
  - 39 mm (30BD)
  - 64 mm (30BXD, 80BXD, 130BXD)
- Square edge design
- Perforated version with non-woven for acoustic control
- Curved carrier application available
- On site waste reduction with factory fabricated dimensional material
- Downweight: reduce static load with lightweight aluminum
- Easy plenum access
- Compatible with industry standard lighting, HVAC, speaker, fire safety, and security services

TYPICAL ISOMETRICS

- 1 = 30B panel
- 2 = 80B panel
- 3 = 130B panel
- 4 = 180B panel
- 5 = 30BD panel
- 6 = 30BXD panel
- 7 = 80BXD panel
- 8 = 130BXD panel
- 9 = Recessed V-join profile
- 10 = Recessed U-join profile
- 11 = Multi-Panel Carrier
- 12 = Hanger
- 13 = Carrier Splice
- 14 = Panel Splice
- 15 = End Cap
- 16 = Fixing clip

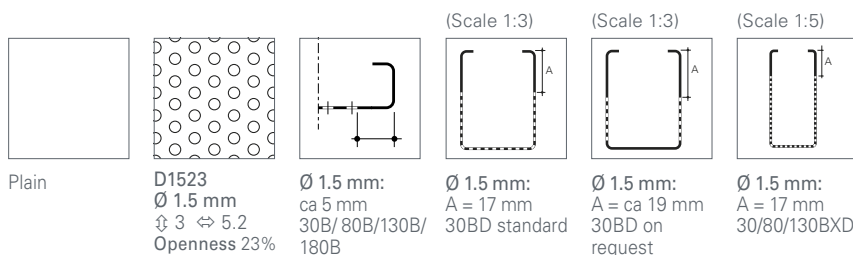


TYPICAL SECTIONS



PERFORATION PATTERNS

Standard patterns shown. See page 350 for all perforation patterns.  
Scale shown: 1:1, unless otherwise noted.



PHYSICAL DATA

**Substrate:** Aluminium  
**Fire rating:** Class B,s2,d0 (all versions, all combinations) according EN 13501-1  
**Weight:** Varies ca 1.9 kg/m<sup>2</sup> - 5.1 kg/m<sup>2</sup>  
**Light reflectance (LR) Coefficient:**  
 - Varies with finish  
 - HD0280: LR = 0.81  
**Acoustic rating:** α<sub>w</sub> 0.75: See page 352

**BIM**  
 REVIT files available, see website for details.

LEED V4 CREDITS

EA : Optimise Energy Performance  
 MR: Building Product Disclosure  
 EQ : Low-Emitting Materials  
 EQ : Indoor Air Quality Assessment  
 EQ : Daylight  
 EQ : Acoustic Performance

CERTIFICATIONS

ISO 9001  
 ISO 14001  
 TAIM QS  
 French VOC Regulation: Class A+  
 EPD: Available upon request



## COLOURS AND FINISHES

Hunter Douglas offers a wide choice of colours and finishes. Custom colour matching is available upon request. Please contact your local Hunter Douglas sales office for minimum quantities and lead times. See website for the most up to date information. Colours are for illustration purposes only.

### COOL WHITES



0181  
RAL 9003

0106  
RAL 9016

0299

0179

### CUSTOM COLOURS



### NATURE TONES



1585

4648

0785

0735

1883  
RAL 9011

### WARM WHITES



0280  
RAL 9010

0581  
RAL 9001

0585

### METALS



7163

7007

7178

7008

### WOOD TONES

*(only available for 30BD, 30BXD, 80B, 130B)*



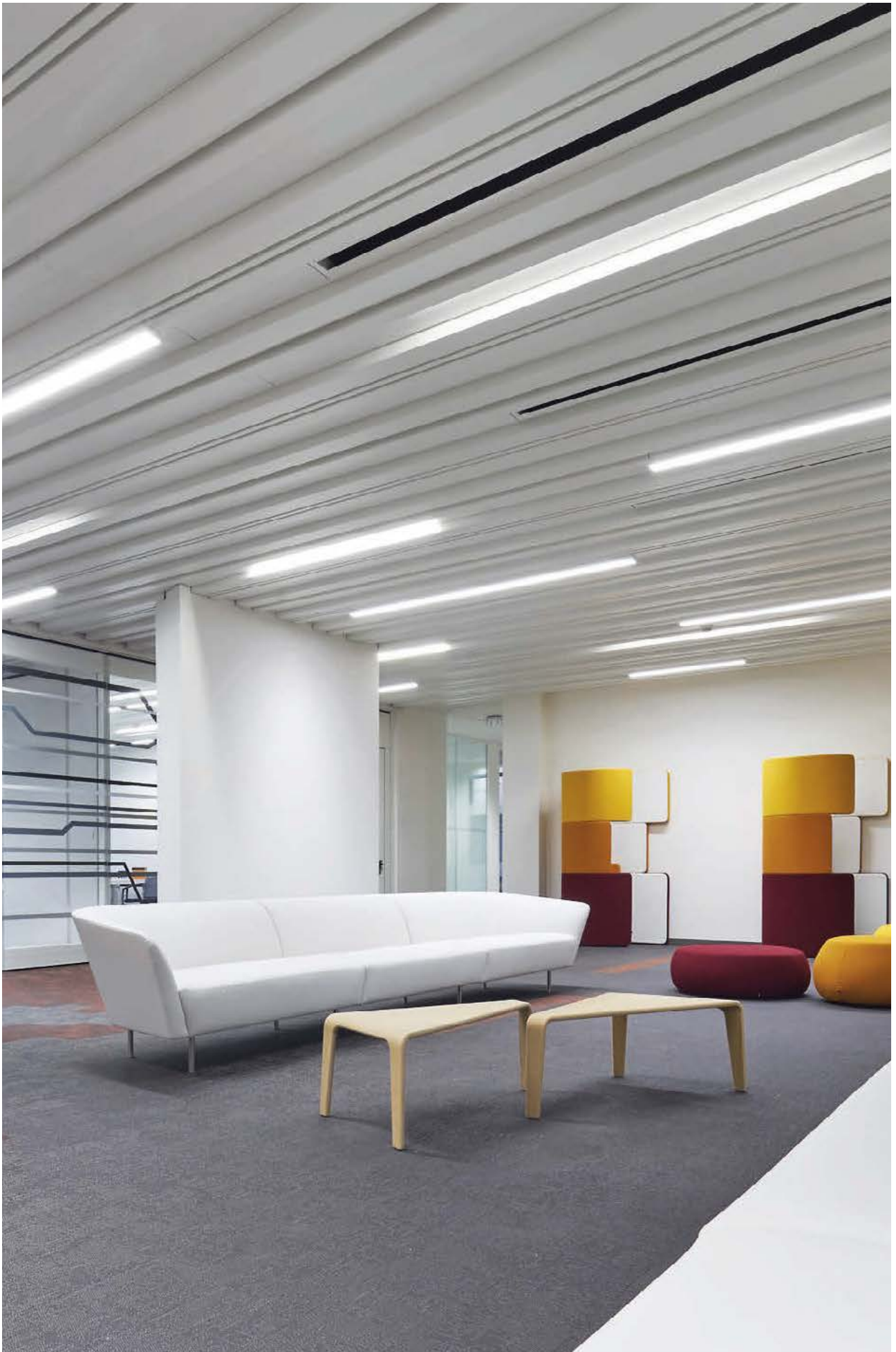
8476  
Cedar

8474  
Pine

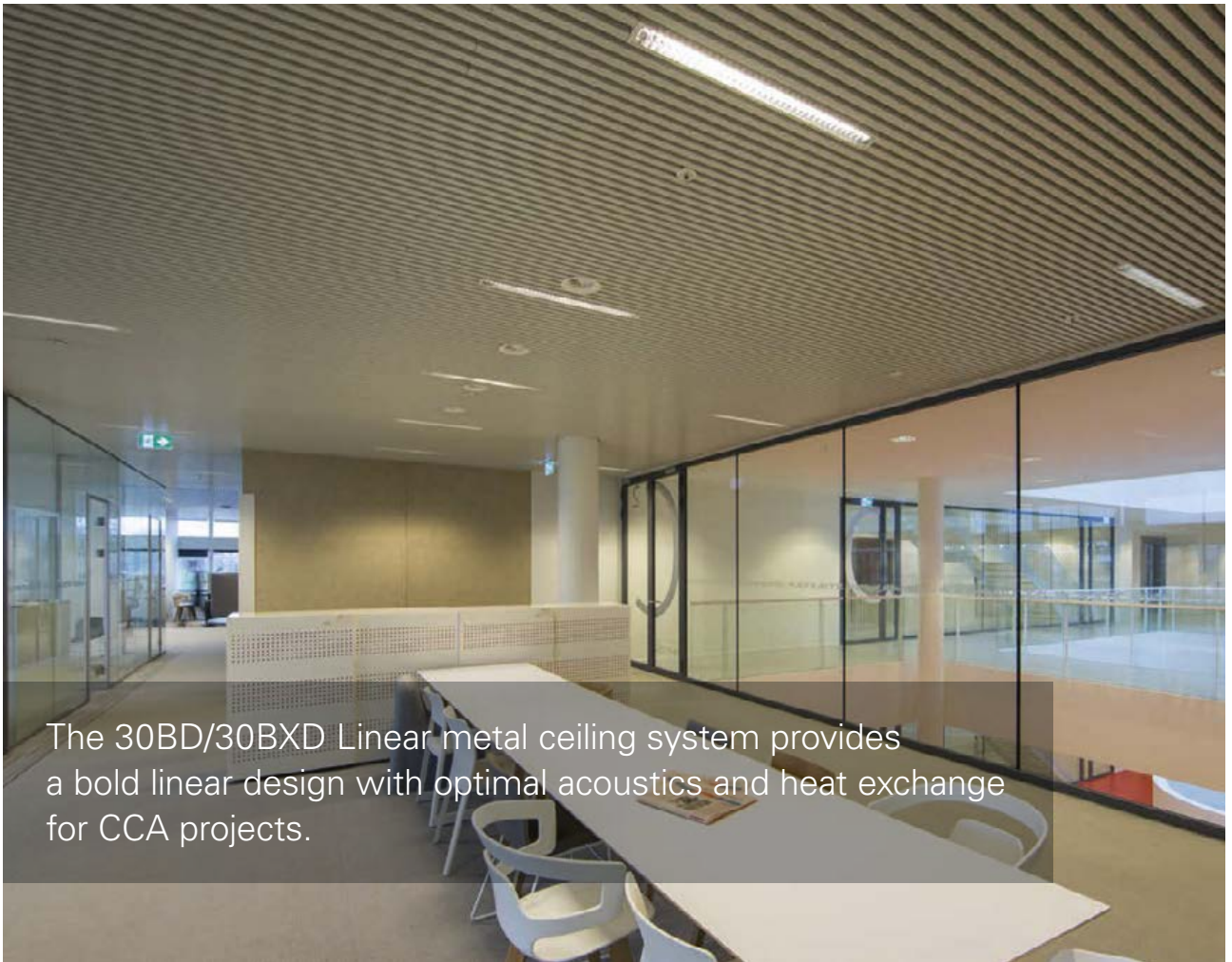
8494  
Oak

8492  
Birch

8472  
Palisander



Project: Leaseplan Branch Office, Milano, Italy - Product: Linear MultiPanel - Architect: Studio PCMR



The 30BD/30BXD Linear metal ceiling system provides a bold linear design with optimal acoustics and heat exchange for CCA projects.

*Project: DSM Ahead, Geleen, the Netherlands - Product: Linear 30BD/30BXD + CCA - Architect: Broekbakema, Rotterdam*

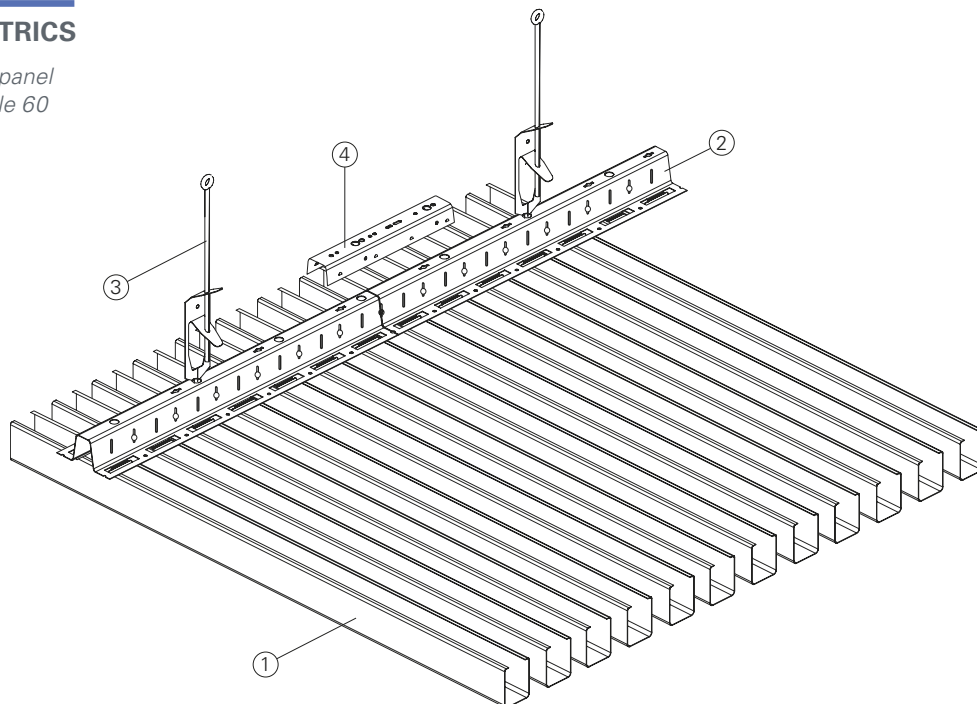
## KEY FEATURES

- Panel widths: 30 mm, joint width 20 mm (standard) or 30 mm (CCA)
- Panel length: 800 mm up to 6000 mm
- Panel depths: 39 mm (30BD) and 64 mm (30BXD)
- Carrier modules: 50 mm (standard) and 60 mm for enhanced heat exchange in CCA application
- Square edge design
- Perforated version with non-woven for acoustic control
- On site waste reduction with factory fabricated dimensional material
- Downweight: reduce static load with lightweight aluminum
- Easy plenum access
- Compatible with industry standard lighting, HVAC, speaker, fire safety, and security services

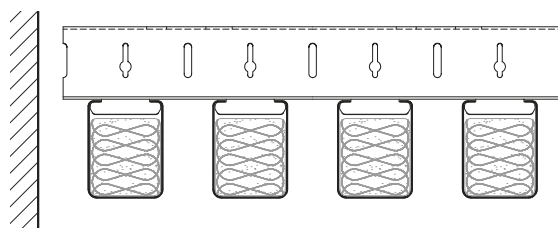
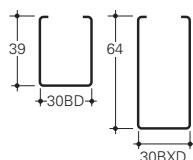


**TYPICAL ISOMETRICS**

- 1 = 30BD / 30BXD panel
- 2 = Al carrier module 60
- 3 = Hanger
- 4 = Al carrier splice

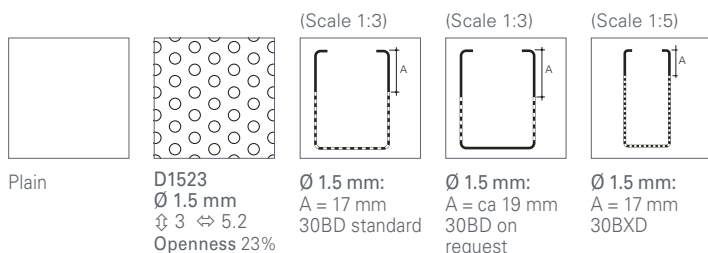


**TYPICAL SECTIONS**



**PERFORATION PATTERNS**

Standard patterns shown. See page 350 for all perforation patterns. Scale shown: 1:1, unless otherwise noted.



**PHYSICAL DATA**

**Substrate:** Aluminium  
**Fire rating:** Class B,s2,d0 (all versions, all combinations) according EN 13501-1  
**Weight:** Varies ca 3.7 kg/m<sup>2</sup> - 5.1 kg/m<sup>2</sup>  
**Light reflectance (LR) Coefficient:**  
 - Varies with finish  
 - HD0280: LR = 0.81  
**Acoustic ratings:**  $\alpha_w$  0.55 - 0.75: See page 352

**BIM**  
 REVIT files available for BIM contributions, see website for details.

**LEED V4 CREDITS**

- EA : Optimise Energy Performance
- MR: Building Product Disclosure
- EQ : Low-Emitting Materials
- EQ : Indoor Air Quality Assessment
- EQ : Daylight
- EQ : Acoustic Performance

**CERTIFICATIONS**

- ISO 9001
- ISO 14001
- TAIM Certified
- French VOC Regulation Class A+
- EPD: Available upon request

**COLOURS AND FINISHES**

Hunter Douglas offers a wide choice of colours and finishes. Custom colour matching is available upon request. Please contact your local Hunter Douglas sales office for minimum quantities and lead times. See website for the most up to date information. Colours are for illustration purposes only.

**COOL WHITES**



0181  
RAL 9003

0106  
RAL 9016

0299

0179

**CUSTOM COLOURS**



**NATURE TONES**



1585

4648

0785

0735

1883  
RAL 9011

**WARM WHITES**



0280  
RAL 9010

0581  
RAL 9001

0585

**METALS**



7163

7007

7178

7008 (30BD only)

**WOOD TONES**



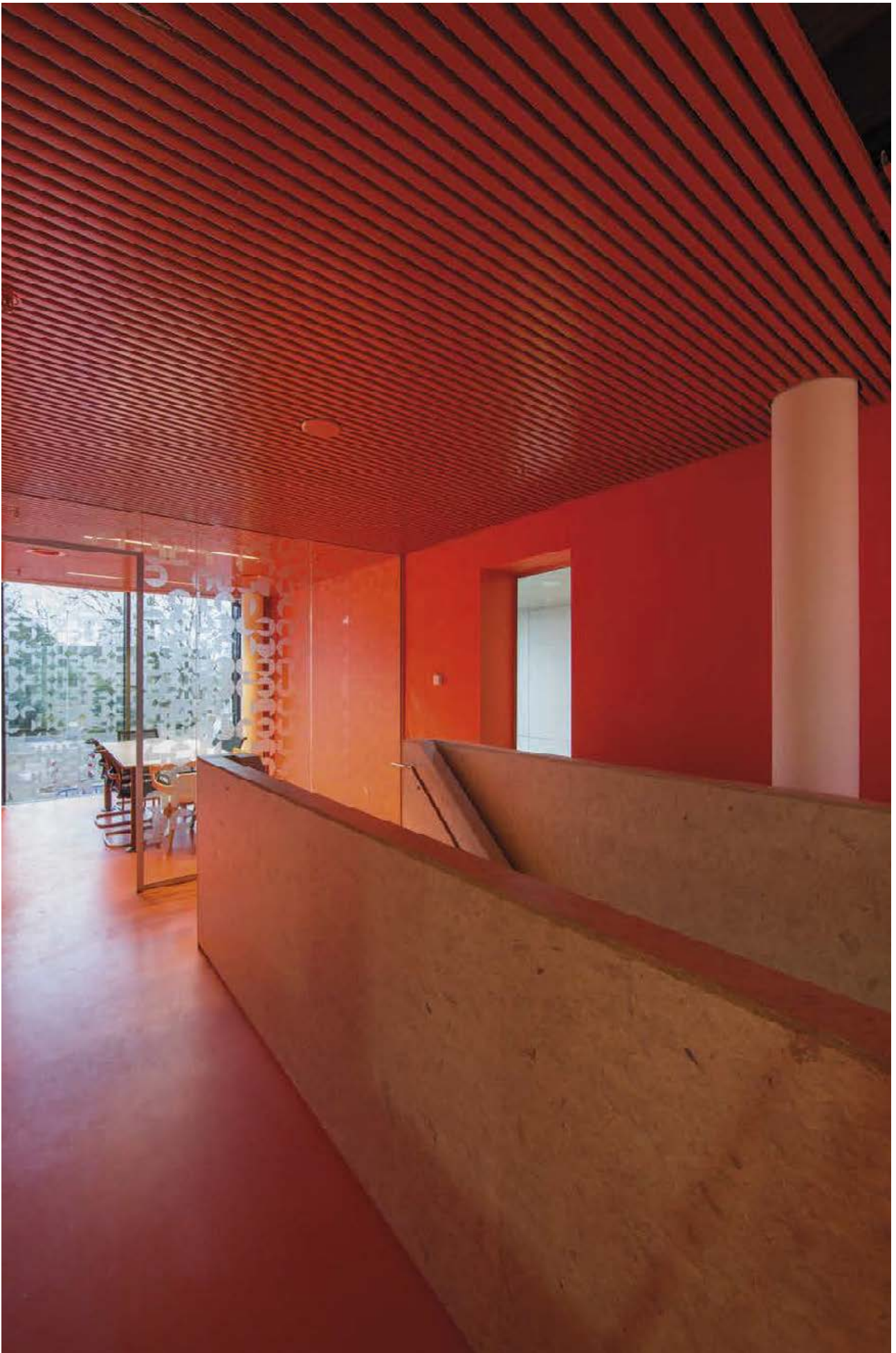
8476  
Cedar

8474  
Pine

8494  
Oak

8492  
Birch

8472  
Palisander



Project: DSM Ahead, Geleen, the Netherlands - Product: Linear 30BD/30BXD + CCA - Architect: Broekbakema, Rotterdam





The 80BXD and 130BXD Linear metal ceiling system provides a strong statement in linear design

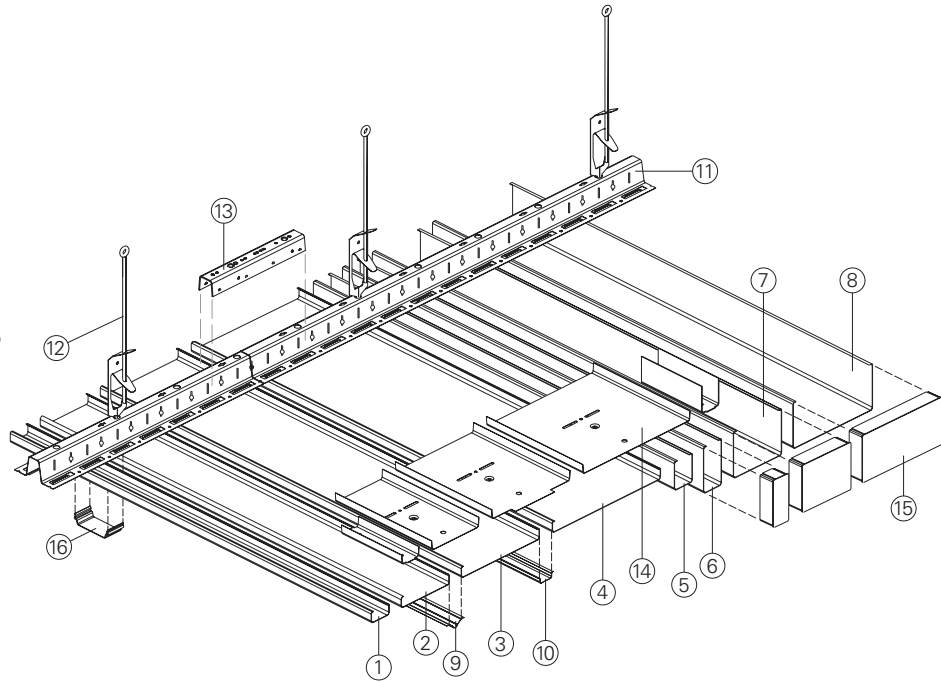
Project: Chisinau airport, Republic of Moldavia - Product: Linear 80BXD/130BXD - Architect: Vladimir Pinzaru (Arhform)

## KEY FEATURES

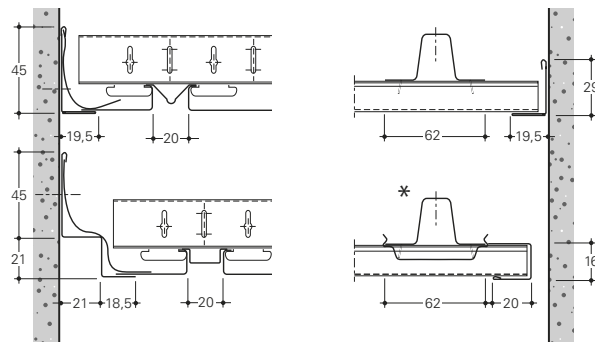
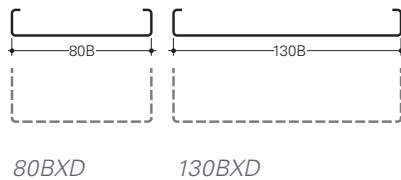
- Panel widths: 80 mm and 130 mm, joint width 20 mm
- Panel length: 800 mm up to 6000 mm
- Panel depth 64 mm
- Square edge design
- Perforated version with non-woven for acoustic control
- Curved carrier application available
- On site waste reduction with factory fabricated dimensional material
- Downweight: reduce static load with lightweight aluminum
- Easy plenum access
- Compatible with industry standard lighting, HVAC, speaker, fire safety, and security services

## TYPICAL ISOMETRICS

- 1 = 30B panel
- 2 = 80B panel
- 3 = 130B panel
- 4 = 180B panel
- 5 = 30BD panel
- 6 = 30BXD panel
- 7 = 80BXD panel
- 8 = 130BXD panel
- 9 = Recessed V-join profile
- 10 = Recessed U-join profile
- 11 = Multi-Panel Carrier
- 12 = Hanger
- 13 = Carrier Splice
- 14 = Panel Splice
- 15 = End Cap
- 16 = Fixing clip

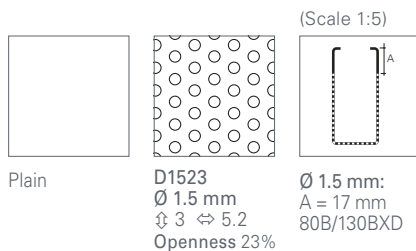


## TYPICAL SECTIONS



## PERFORATION PATTERNS

Standard patterns shown. See page 350 for all perforation patterns.  
Scale shown: 1:1, unless otherwise noted.



Plain

D1523  
Ø 1.5 mm  
3 ⇄ 5.2  
Openness 23%

Ø 1.5 mm:  
A = 17 mm  
80B/130BXD

## PHYSICAL DATA

**Substrate:** Aluminium

**Fire rating:** Class B,s2,d0 (all versions, all combinations)  
according EN 13501-1

**Weight:** Varies ca 3.3 kg/m<sup>2</sup> - 3.9 kg/m<sup>2</sup>

**Light reflectance (LR) Coefficient:**

- Varies with finish
- HD0280: LR = 0.81

**Acoustic rating :**  $\alpha_w$  0.75: See page 352

## BIM

REVIT files available, see website for details.

## LEED V4 CREDITS

- EA : Optimise Energy Performance
- MR: Building Product Disclosure
- EQ : Low-Emitting Materials
- EQ : Indoor Air Quality Assessment
- EQ : Daylight
- EQ : Acoustic Performance

## CERTIFICATIONS

- ISO 9001
- ISO 14001
- TAIM Certified
- French VOC Regulation Class A+
- EPD: Available upon request

**COLOURS AND FINISHES**

Hunter Douglas offers a wide choice of colours and finishes. Custom colour matching is available upon request. Please contact your local Hunter Douglas sales office for minimum quantities and lead times. See website for the most up to date information. Colours are for illustration purposes only.

**COOL WHITES**



0181  
RAL 9003

0106  
RAL 9016

0299

0179

**CUSTOM COLOURS**



**NATURE TONES**



1585

4648

0785

0735

1883  
RAL 9011

**WARM WHITES**



0280  
RAL 9010

0581  
RAL 9001

0585

**METALS**



7163

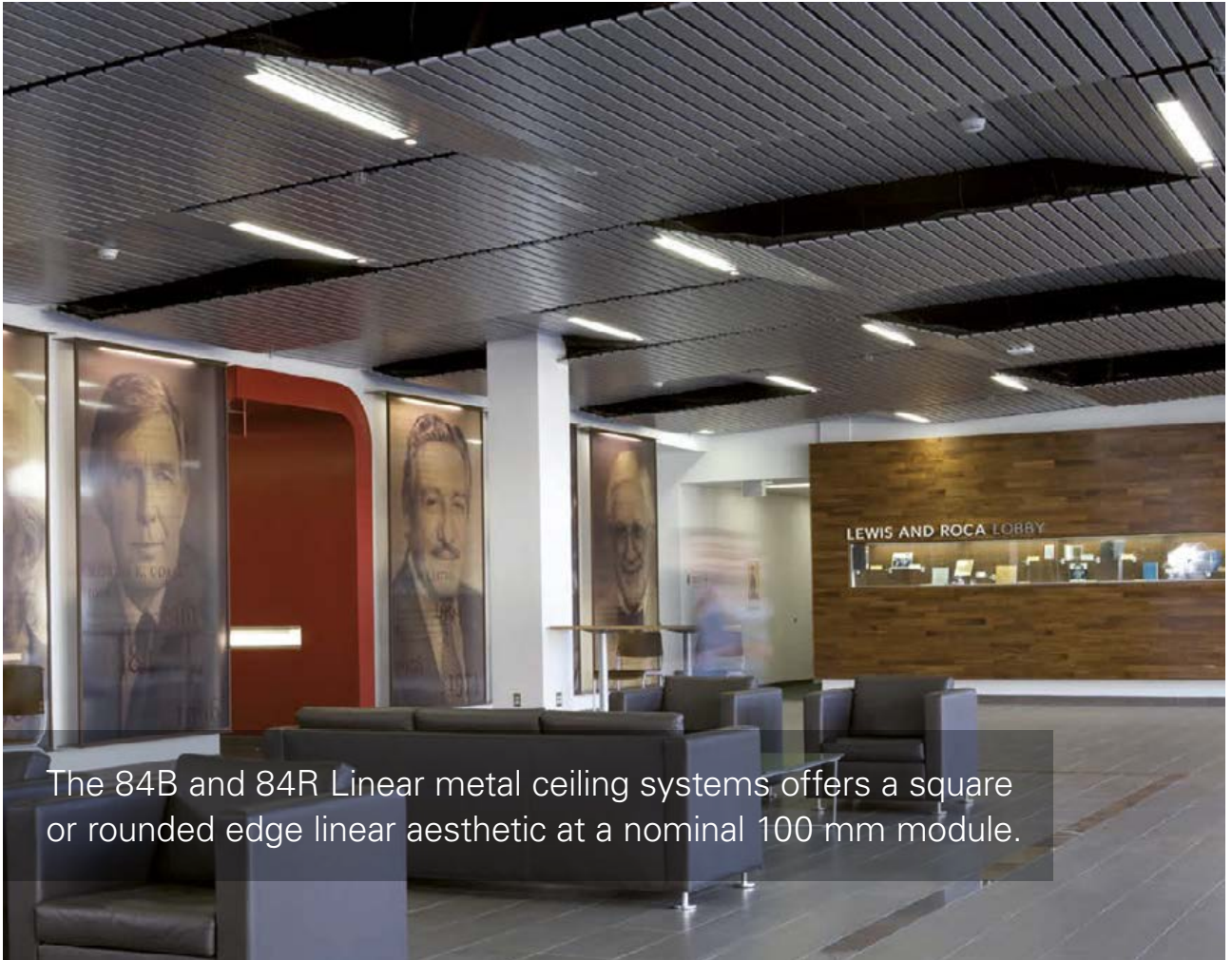
7007

7178





Project: Chisinau airport, Chisinau, Republic of Moldova - Product: Linear 80BXD ceiling - Architect: Vladimir Pinzaru (Arhform)



The 84B and 84R Linear metal ceiling systems offers a square or rounded edge linear aesthetic at a nominal 100 mm module.

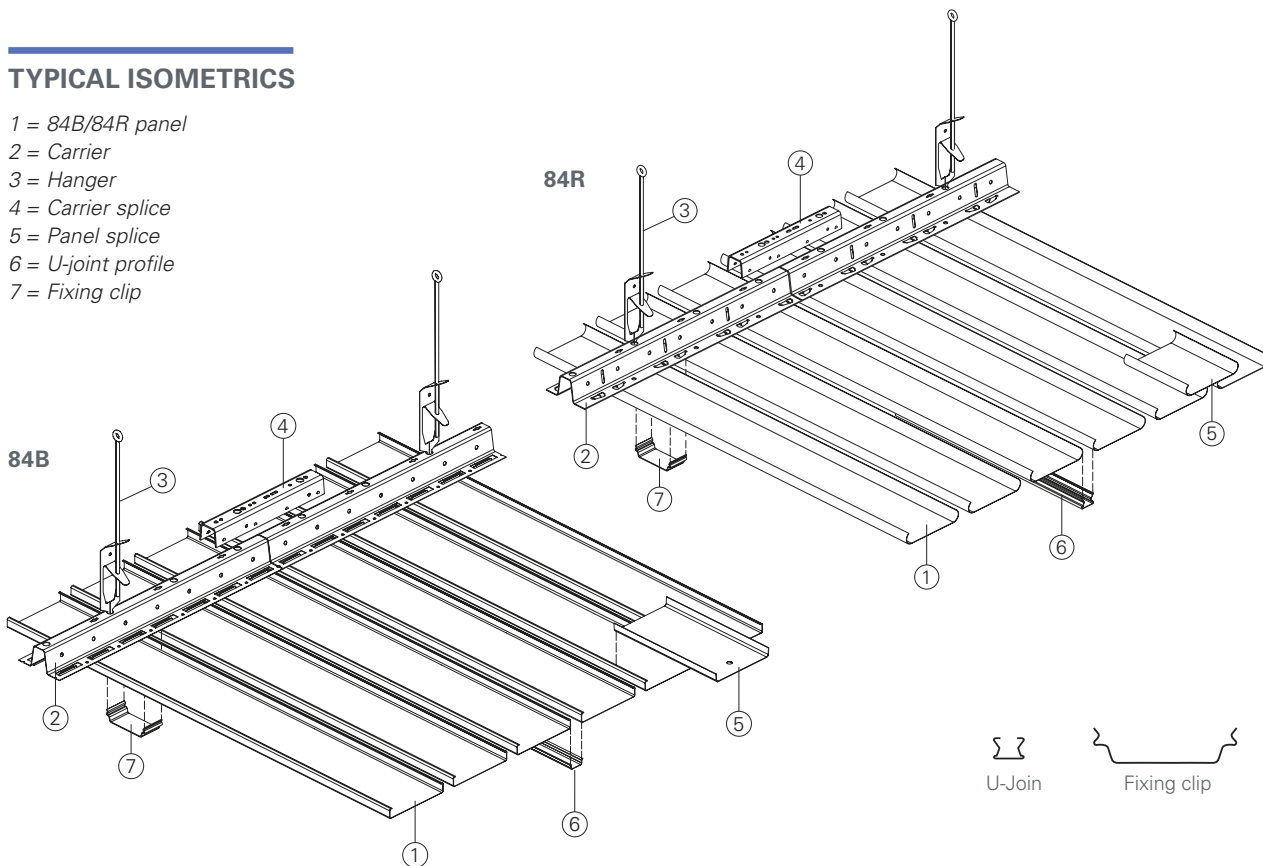
*Project: James E. Rogers College of Law, Tucson, USA - Product: Linear 84B/84R - Architect: Gould Evans*

## KEY FEATURES

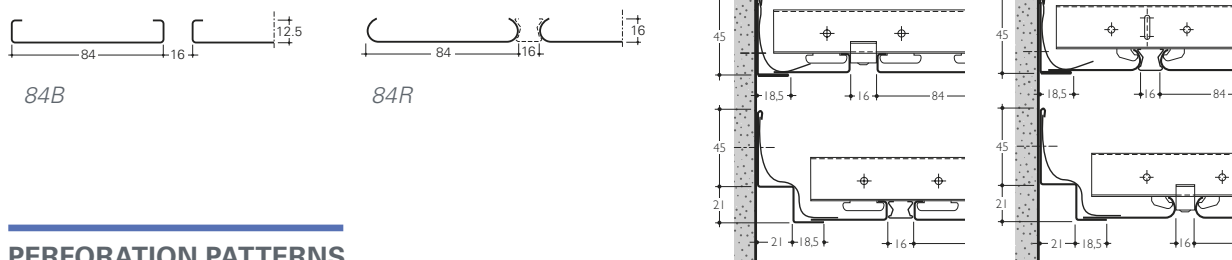
- Panel width 84 mm, joint 16 mm
- Panel length: 800 mm up to 6000 mm
- Panel depth 15 mm
- Square edge design (84B) or rounded edges (84R)
- Perforated version with non-woven for acoustic control
- Curved carrier application available
- On site waste reduction with factory fabricated dimensional material
- Downweight: reduce static load with lightweight aluminum
- Easy plenum access
- Compatible with industry standard lighting, HVAC, speaker, fire safety, and security services

**TYPICAL ISOMETRICS**

- 1 = 84B/84R panel
- 2 = Carrier
- 3 = Hanger
- 4 = Carrier splice
- 5 = Panel splice
- 6 = U-joint profile
- 7 = Fixing clip

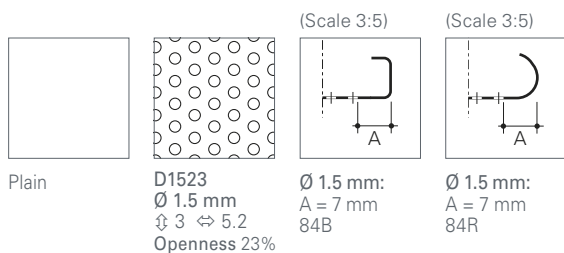


**TYPICAL SECTIONS**



**PERFORATION PATTERNS**

Standard patterns shown. See page 350 for all perforation patterns. Scale shown: 1:1, unless otherwise noted.



**PHYSICAL DATA**

**Substrate:** Aluminium  
**Fire rating:** Class A2,s1,d0 (plain) according EN 13501-1  
**Weight:** Varies ca 1.7 kg/m<sup>2</sup> - 2.3 kg/m<sup>2</sup>  
**Light reflectance (LR) Coefficient:**  
 - Varies with finish  
 - HD0280: LR = 0.81  
**Acoustic rating:** α<sub>w</sub> 0.75: See page 352

**BIM**  
 REVIT files available, see website for details.

**LEED V4 CREDITS**

- EA : Optimise Energy Performance
- MR: Building Product Disclosure
- EQ : Low-Emitting Materials
- EQ : Indoor Air Quality Assessment
- EQ : Daylight
- EQ : Acoustic Performance

**CERTIFICATIONS**

- ISO 9001
- ISO 14001
- TAIM Certified
- French VOC Regulation Class A+
- EPD: Available upon request



**COLOURS AND FINISHES**

Hunter Douglas offers a wide choice of colours and finishes. Custom colour matching is available upon request. Please contact your local Hunter Douglas sales office for minimum quantities and lead times. See website for the most up to date information. Colours are for illustration purposes only.

**COOL WHITES**



0181  
RAL 9003

0106  
RAL 9016

0299

0179

**CUSTOM COLOURS**



**NATURE TONES**



1585

4648

0785

0735

1883  
RAL 9011

**WARM WHITES**



0280  
RAL 9010

0581  
RAL 9001

0585

**METALS**



7163

7007

7178

7008

**WOOD TONES**



8476  
Cedar

8474  
Pine

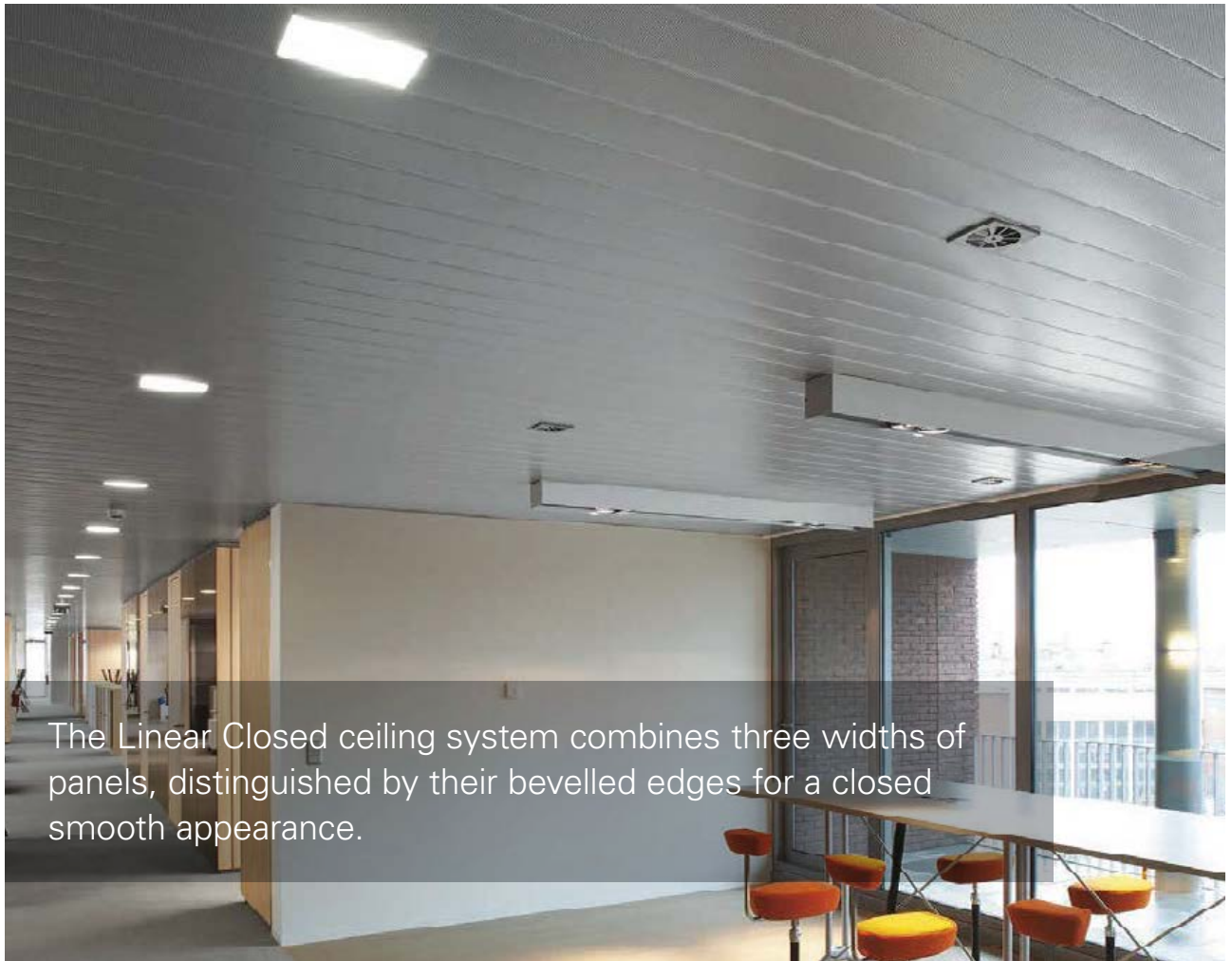
8494  
Oak

8492  
Birch

8472  
Palisander



Project: Vitesse Trainingscomplex Papendal, Arnhem, The Netherlands - Product: Linear 84B/84R - Architect: Geesink Weusten Architecten



The Linear Closed ceiling system combines three widths of panels, distinguished by their bevelled edges for a closed smooth appearance.

*Project: InBev headquarters, Leuven, Belgium - Product: Linear 75C/150C/225C - Architect: Poponcini & Lootens*

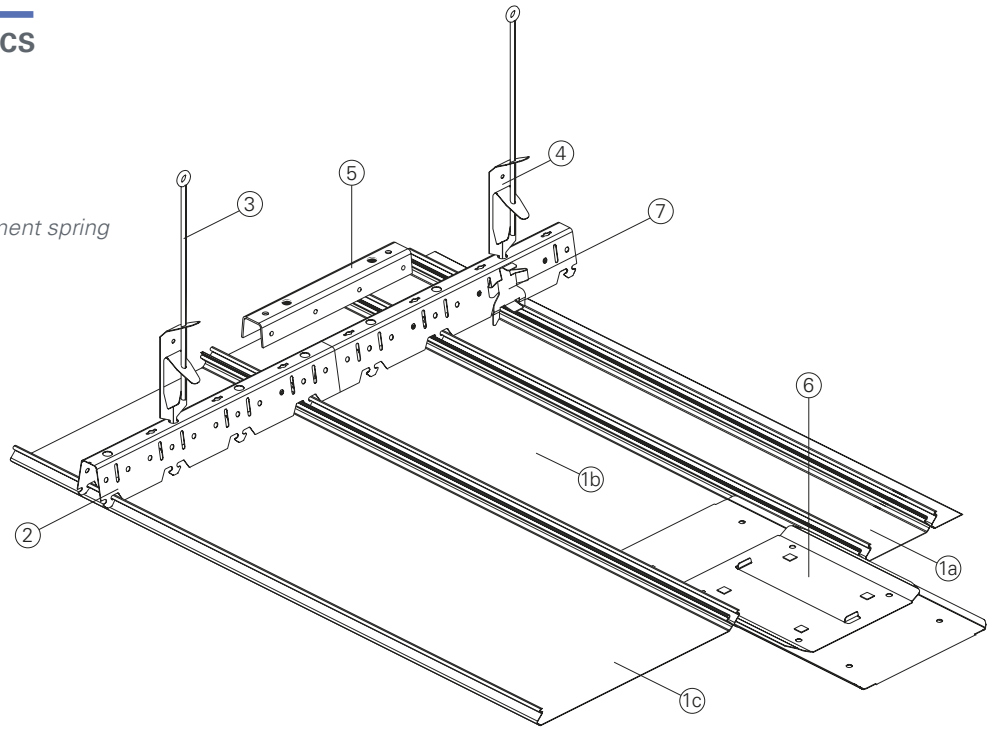
## KEY FEATURES

- Panel widths: 75 mm, 150 mm and 225 mm
- Panel length: 800 mm up to 6000 mm
- Panel depth 15 mm
- Bevelled edge design
- Perforated version with non-woven for acoustic control
- On site waste reduction with factory fabricated dimensional material
- Downweight: reduce static load with lightweight aluminum
- Easy plenum access
- Compatible with industry standard lighting, HVAC, speaker, fire safety, and security services

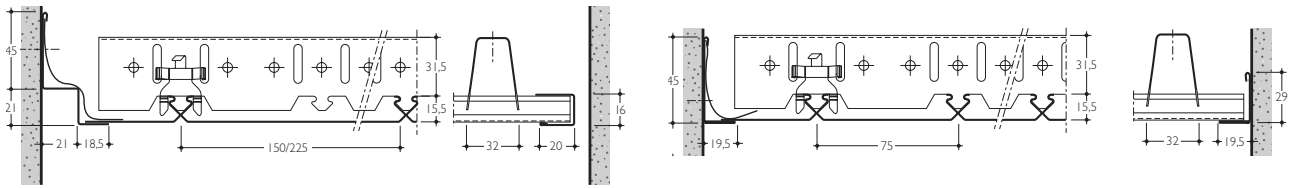
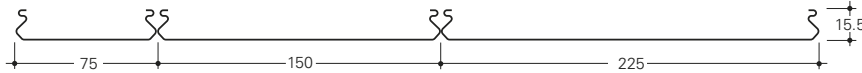


## TYPICAL ISOMETRICS

- 1a = Panel 75C  
 1b = Panel 150C  
 1c = Panel 225C  
 2 = Carrier  
 3 = Rod hanger  
 4 = Suspension adjustment spring  
 5 = Carrier splice  
 6 = Panel splice  
 7 = Adaptor clip

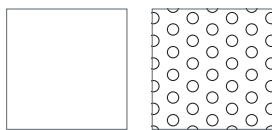


## TYPICAL SECTIONS



## PERFORATION PATTERNS

Standard patterns shown. See page 350 for all perforation patterns.  
 Scale shown: 1:1, unless otherwise noted.



Plain

D1523  
 Ø 1.5 mm  
 3 ⇄ 5.2  
 Openness 23%

Perforation runs into the bevelled edge

## PHYSICAL DATA

**Substrate:** Aluminium  
**Fire rating:** Class A2,s1,d0 (plain) according EN 13501-1  
**Weight:** Varies ca 2.0 kg/m<sup>2</sup> - 2.2 kg/m<sup>2</sup>  
**Light reflectance (LR) Coefficient:**  
 - Varies with finish  
 - HD0280: LR = 0.81  
**Acoustic rating:**  $\alpha_w$  0.75: See page 352

## BIM

REVIT files available, see website for details.

## LEED V4 CREDITS

EA : Optimise Energy Performance  
 MR: Building Product Disclosure  
 EQ : Low-Emitting Materials  
 EQ : Indoor Air Quality Assessment  
 EQ : Daylight  
 EQ : Acoustic Performance

## CERTIFICATIONS

ISO 9001  
 ISO 14001  
 TAIM Certified  
 French VOC Regulation: Class A+  
 EPD: Available upon request

**COLOURS AND FINISHES**

Hunter Douglas offers a wide choice of colours and finishes. Custom colour matching is available upon request. Please contact your local Hunter Douglas sales office for minimum quantities and lead times. See website for the most up to date information. Colours are for illustration purposes only.

**COOL WHITES**



0181  
RAL 9003

0106  
RAL 9016

0299

0179

**CUSTOM COLOURS**



**NATURE TONES**



1585

4648

0785

0735

1883  
RAL 9011

**WARM WHITES**



0280  
RAL 9010

0581  
RAL 9001

0585

**METALS**



7163

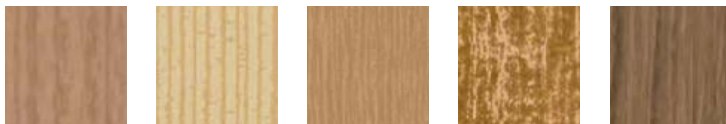
7007

7178

7008 (75C only)

**WOOD TONES**

*(only available for 75C)*



8476  
Cedar

8474  
Pine

8494  
Oak

8492  
Birch

8472  
Palisander



Project: InBev headquarters, Leuven, Belgium - Product: Linear 75C/150C/225C - Architect: Poponcini & Lootens





Curved 300C metal ceilings add a twist to the traditional view of ceiling design. Imagine concave, convex, and undulating forms that tempt a look upwards.

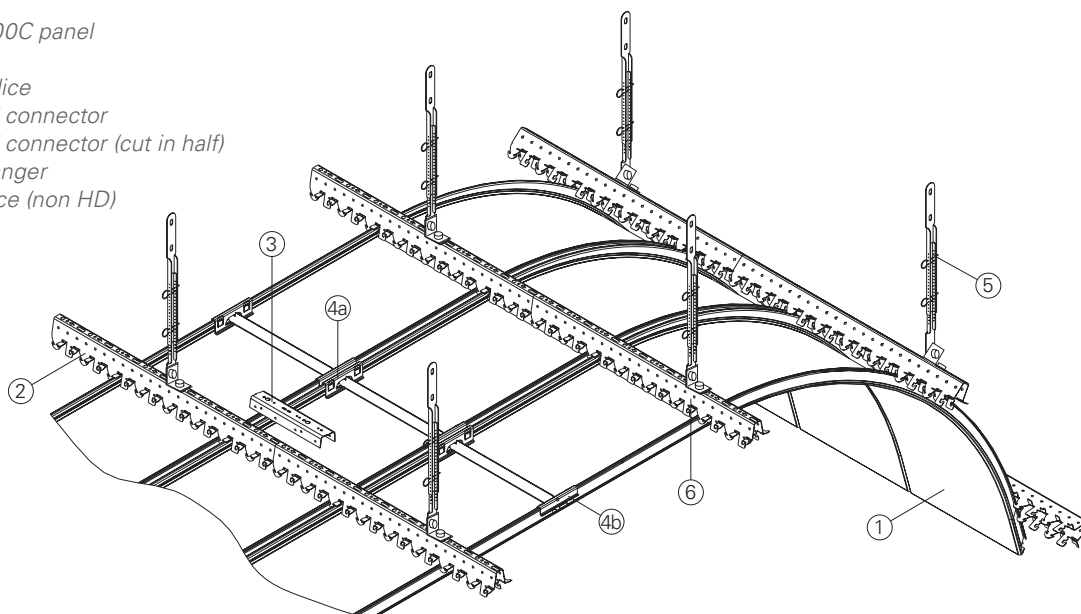
*Project: Brussels Airport Connector, Zaventem, Belgium - Product: Curved 300C - Architect: Joint Venture CTHM*

## KEY FEATURES

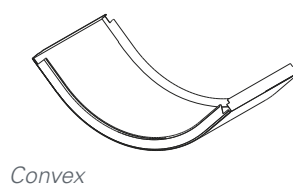
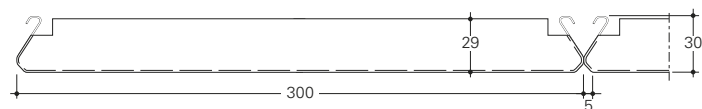
- Panel width: 300 mm
- Panel length: 1000 - 6000 mm
- Minimum radius for all shapes 1000 mm
- Panels in concave, convex or S-shape
- Perforated version with non-woven for acoustic control
- On site waste reduction with factory fabricated dimensional material
- Downweight: reduce static load with lightweight aluminum or steel
- Easy plenum access
- Interior and exterior applications
- Compatible with industry standard lighting, HVAC, speaker, fire safety, and security services

**TYPICAL ISOMETRICS**

- 1 = Curved 300C panel
- 2 = Carrier
- 3 = Carrier splice
- 4a= Panel end connector
- 4b= Panel end connector (cut in half)
- 5 = Nonius hanger
- 6 = Fixing piece (non HD)



**TYPICAL SECTIONS**



**PERFORATION PATTERNS**

Standard patterns shown. See page 350 for all perforation patterns. Scale shown: 1:1, unless otherwise noted.

Plain	D1523 Ø 1.5 mm ⊥ 3 ⇔ 5.2 Openness 23%	D2016 Ø 2 mm ⊥ 5 ⇔ 8.66 Openness 16%	300C

**PHYSICAL DATA**

**Substrate:** Steel or Aluminium  
**Fire rating:** Class A2,s1,d0 according EN 13501-1  
**Weight:** Varies ca 2.9 kg/m<sup>2</sup> - 10.4 kg/m<sup>2</sup>  
**Light reflectance (LR) Coefficient:**  
 - Varies with finish  
 - HD0280: LR = 0.81  
**Acoustic rating:** α<sub>w</sub> 0.75: See page 352

**BIM**  
 REVIT files available, see website for details.

**LEED V4 CREDITS**

- EA : Optimise Energy Performance
- MR: Building Product Disclosure
- EQ : Low-Emitting Materials
- EQ : Indoor Air Quality Assessment
- EQ : Daylight
- EQ : Acoustic Performance

**CERTIFICATIONS**

- ISO 9001
- ISO 14001
- TAIM QS
- French VOC Regulation: Class A+
- EPD: Available upon request

**COLOURS AND FINISHES**

Hunter Douglas offers a wide choice of colours and finishes. Custom colour matching is available upon request. Please contact your local Hunter Douglas sales office for minimum quantities and lead times. See website for the most up to date information. Colours are for illustration purposes only.

**COOL WHITES**



0181  
RAL 9003

0106  
RAL 9016

0299

0179

**CUSTOM COLOURS**



**NATURE TONES**



1585

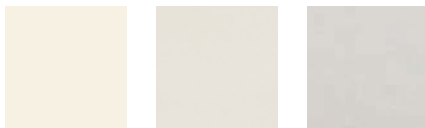
4648

0785

0735

1883  
RAL 9011

**WARM WHITES**



0280  
RAL 9010

0585

0684

**METALS**



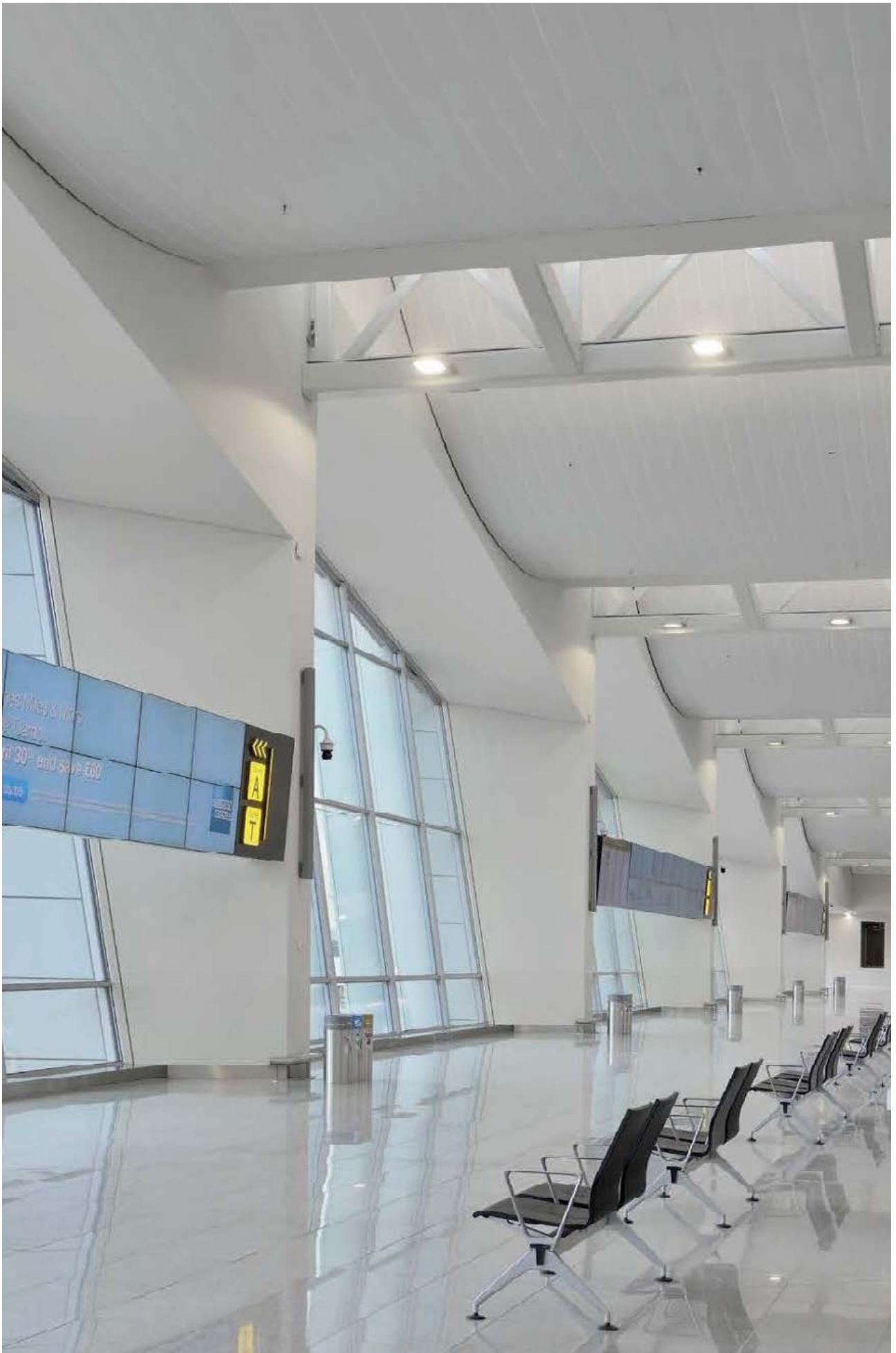
7163

7007

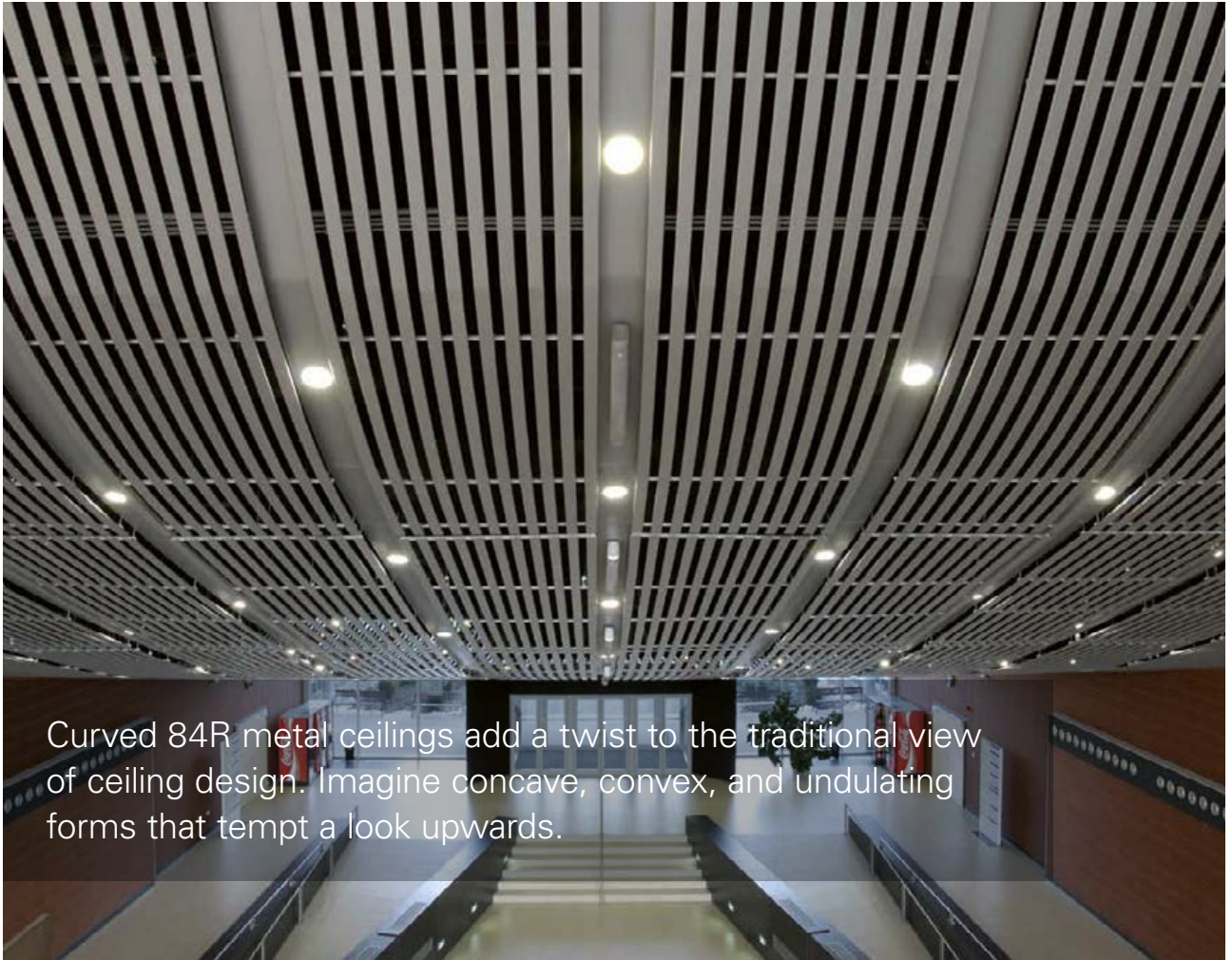
7178

7113





Project: Brussels Airport Connector, Zaventem, Belgium - Product: Curved 300C - Architect: Joint Venture CTHM



Curved 84R metal ceilings add a twist to the traditional view of ceiling design. Imagine concave, convex, and undulating forms that tempt a look upwards.

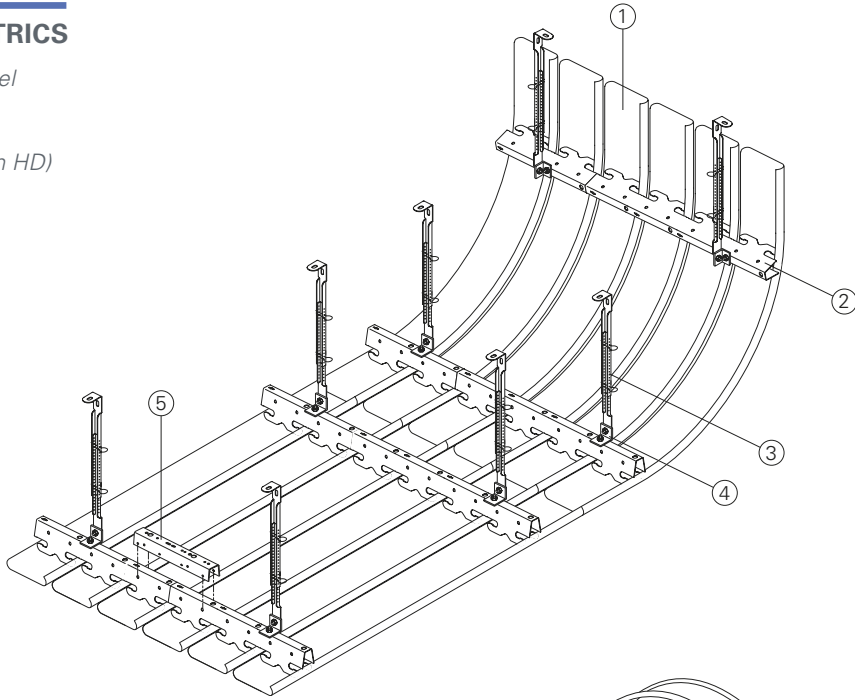
*Project: BME Q building, Budapest, Hungary - Product: Curved 84R - Architect: A&D Studio, Mr Antal Lázár*

## KEY FEATURES

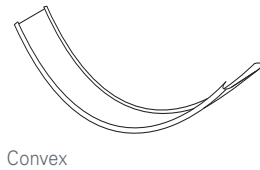
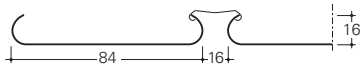
- Panel width: 84 mm, joint 16 mm
- Panel length: 1000 - 6000 mm
- Fixed radius of 325 mm or variable radius with minimum of 1000 mm
- Panels in concave, convex or S-shape
- Perforated version with non-woven for acoustic control
- On site waste reduction with factory fabricated dimensional material
- Downweight: reduce static load with lightweight aluminum
- Easy plenum access
- Interior and exterior applications
- Compatible with industry standard lighting, HVAC, speaker, fire safety, and security services

TYPICAL ISOMETRICS

- 1 = Curved 84R panel
- 2 = 84R carrier
- 3 = Nonius hanger
- 4 = Fixing piece (non HD)
- 5 = Carrier splice



TYPICAL SECTIONS



PERFORATION PATTERNS

Standard patterns shown. See page 350 for all perforation patterns.  
Scale shown: 1:1, unless otherwise noted.

(Scale 3:5)

Plain	D1523 Ø 1.5 mm 3 ⇔ 5.2 Openness 23%	Ø 1.5 mm: A = ca. 7 mm 84R

PHYSICAL DATA

**Substrate:** Aluminium  
**Fire rating:** Class A2,s1,d0 (plain), A2,s2,d0 (perf+NW) according EN 13501-1  
**Weight:** Varies ca 1.7 kg/m<sup>2</sup> - 2.3 kg/m<sup>2</sup>  
**Light reflectance (LR) Coefficient:**  
 - Varies with finish  
 - HD0280: LR = 0.81  
**Acoustic rating:** α<sub>w</sub> 0.75: See page 352

**BIM**  
 REVIT files available, see website for details.

LEED V4 CREDITS

- EA : Optimise Energy Performance
- MR: Building Product Disclosure
- EQ : Low-Emitting Materials
- EQ : Indoor Air Quality Assessment
- EQ : Daylight
- EQ : Acoustic Performance

CERTIFICATIONS

- ISO 9001
- ISO 14001
- TAIM Certified
- French VOC Regulation: Class A+
- EPD: Available upon request



**COLOURS AND FINISHES**

Hunter Douglas offers a wide choice of colours and finishes. Custom colour matching is available upon request. Please contact your local Hunter Douglas sales office for minimum quantities and lead times. See website for the most up to date information. Colours are for illustration purposes only.

**COOL WHITES**



0181  
RAL 9003

0106  
RAL 9016

0299

0179

**CUSTOM COLOURS**



**NATURE TONES**



1585

4648

0785

0735

1883  
RAL 9011

**WARM WHITES**



0280  
RAL 9010

0581  
RAL 9001

0585

**METALS**



7163

7007

7178

7008

**WOOD TONES**



8476  
Cedar

8474  
Pine

8494  
Oak

8492  
Birch

8472  
Palisander



Project: Dubai Mall, Burj Dubai, United Arab Emirates - Product: Curved 84R - Architect: DP Architects PTE Ltd





Curved Carrier metal ceilings create shaped designs with straight panels.

*Project: Fitness center World Class, Moscow region, Russia - Product: Curved Carrier*

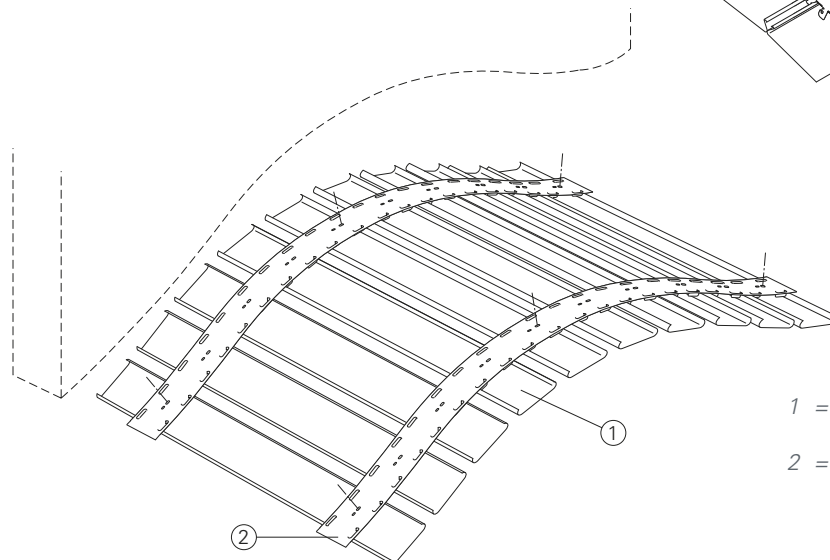
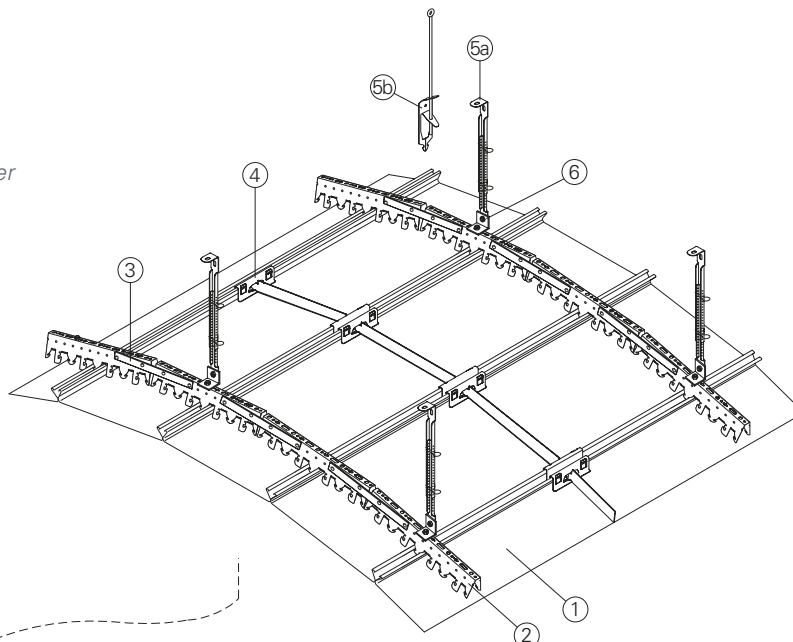
## KEY FEATURES

- Panel width: 300 mm or 100 mm module
- Panel length: 800 - 6000 mm
- Segmented carrier: minimum radius convex 5 m, concave 2 m
- Flexible carrier: minimum radius convex 600 mm, concave 400 mm (depends on panel type)
- Ceilings in concave, convex or undulating
- Perforated version with non-woven for acoustic control
- On site waste reduction with factory fabricated dimensional material
- Downweight: reduce static load with lightweight aluminum
- Easy plenum access
- Interior and exterior applications
- Compatible with industry standard lighting, HVAC, speaker, fire safety, and security services



**TYPICAL ISOMETRICS**

- 1 = 300C panel, straight
- 2 = 300C carrier, segmented
- 3 = Connecting strips segmented carrier
- 4 = 300C alignment bracket
- 5a= Nonius hanger
- 5b= Rod hanger
- 6 = Fixing piece (non HD)



- 1 = 30B-180B, 84B, 84R, 70U  
Ceiling panel, straight
- 2 = Flex carrier

**PERFORATION PATTERNS**

Standard patterns shown. See page 350 for all perforation patterns.  
Scale shown: 1:1, unless otherwise noted.

Plain	D1523 Ø 1.5 mm ⊥ 3 ⇔ 5.2 Openness 23%	D2016 (300C Only) Ø 2 mm ⊥ 5 ⇔ 8.66 Openness 16%

**PHYSICAL DATA**

**Substrate:** Aluminium  
**Fire rating:** A2,s1,d0 according EN 13501-1  
**Weight:** Varies ca 1.7 kg/m<sup>2</sup> - 6.4 kg/m<sup>2</sup>  
**Light reflectance (LR) Coefficient:**  
 - Varies with finish  
 - HD0280: LR = 0.81  
**Acoustic rating:** α<sub>w</sub> 0.75: See page 352

**BIM**  
 REVIT files available, see website for details.

**LEED V4 CREDITS**

- EA : Optimise Energy Performance
- MR: Building Product Disclosure
- EQ : Low-Emitting Materials
- EQ : Indoor Air Quality Assessment
- EQ : Daylight
- EQ : Acoustic Performance

**CERTIFICATIONS**

- ISO 9001
- ISO 14001
- TAIM Certified
- French VOC Regulation: Class A+
- EPD: Available upon request

---

### **COLOURS AND FINISHES**

Hunter Douglas offers a wide choice of colours and finishes. Custom colour matching is available upon request. Please contact your local Hunter Douglas sales office for minimum quantities and lead times. See website for the most up to date information. Colours are for illustration purposes only.

Please refer to the respective product pages for colour availability.



Project: Wrocław Airport, Wrocław, Poland - Product: Curved Carrier - Architects: JSK





Project: Weena Tunnel, Rotterdam, The Netherlands  
Architect: Maarten Struijs  
Product: Exterior Ceiling

# EXTERIOR CEILINGS

Offering a wide range of design possibilities, exterior ceilings have been developed with the same appearance as the range of HunterDouglas® interior ceilings.









Project: Ferrari Restaurant, Maranello, Italy  
Architect: M. Visconti  
Product: Linear Multipanel Exterior





Project: Parking Hofdame, Rotterdam, The Netherlands  
Architect: Klunder Architecten  
Product: Solid Wood Linear Exterior



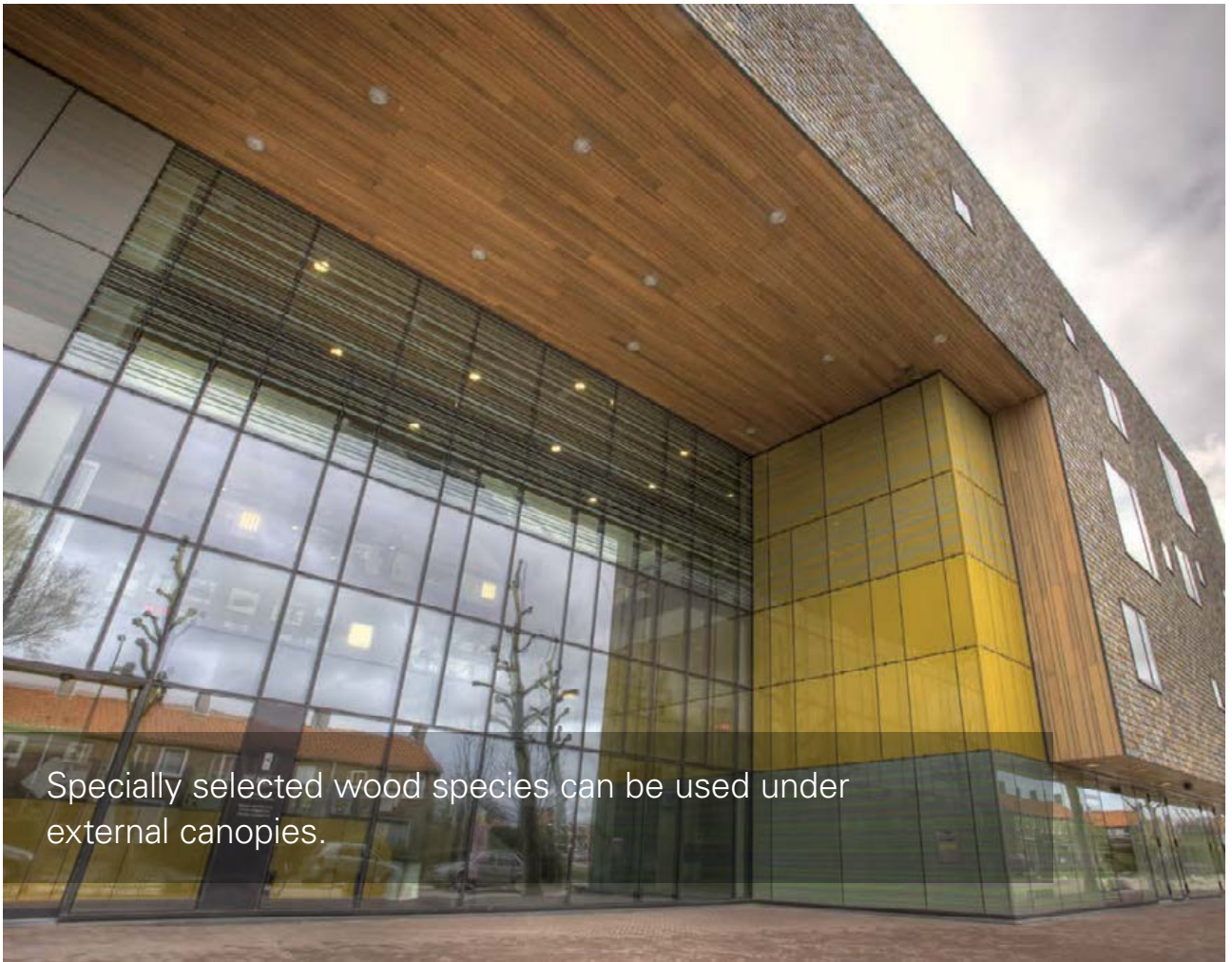


Project: Terminal at Gdansk Lech Walesa Airport, Gdansk, Poland  
 Architect: JSK Architekci Sp z o.o.  
 Product: Exterior Ceiling

# EXTERIOR CEILINGS

SOLID WOOD GRILL AND LINEAR	252
VENEERED WOOD GRILL AND LINEAR	256
VENEERED WOOD TILES	260
MULTIPANEL	264
LINEAR CLOSED	268
150F/200F	272
V100	276
300C/300L	280
BETA SAFETY LOOP	284
PROFIX™	288





Specially selected wood species can be used under external canopies.

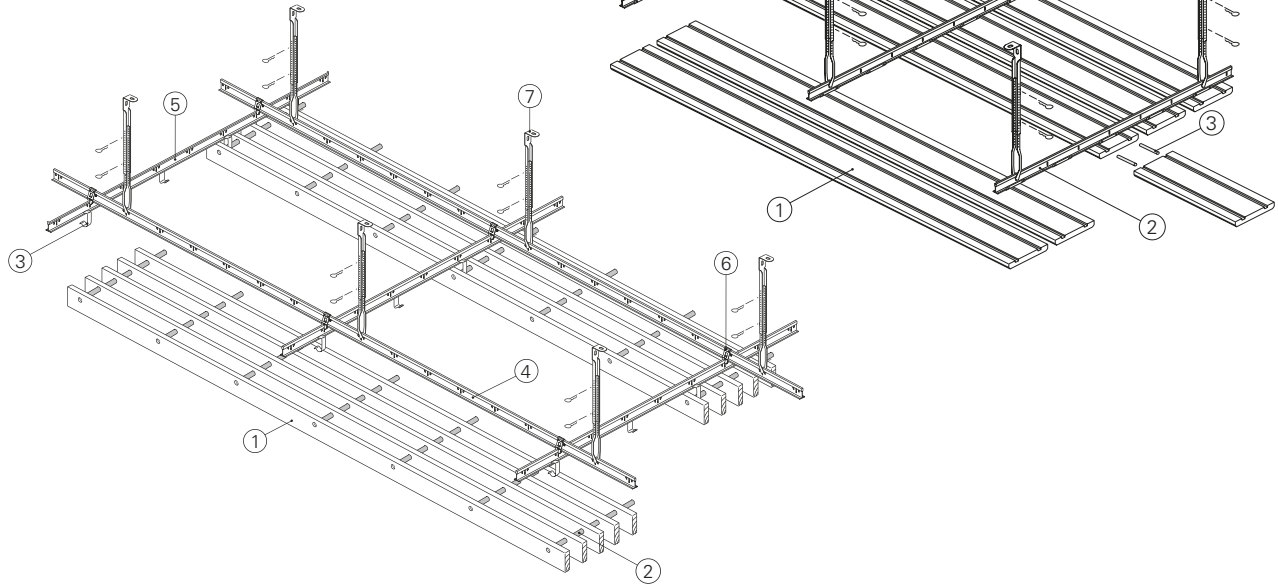
*Project: Pier-K, Nieuw-Vennep, The Netherlands; Solid Wood Linear Exterior, Western Red Cedar; Architect: Ector Hoogstad Architecten*

## KEY FEATURES

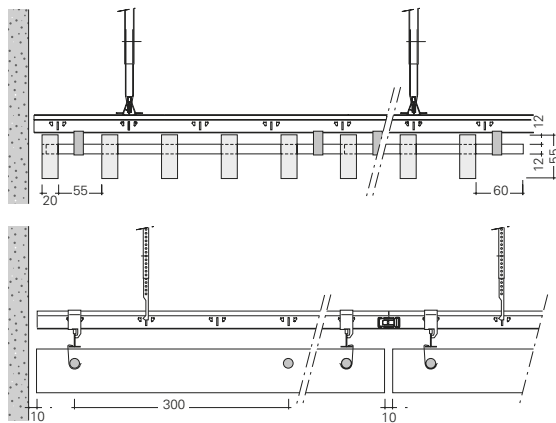
- Exterior applications
- Various Grill dimensions:
  - Width: 20 mm
  - Lengths up to 2500 mm
  - Height: 35 - 120 mm
  - Joint width: 25 - 150 mm
- Various Linear dimensions:
  - Width: 63 - 68 - 70 - 83 - 92 - 110 - 116 mm
  - Lengths up to 2500 mm
  - Thickness: 15 mm
  - Joint width: 12 - 13 - 15 - 19 mm
- Wood can be FSC or PEFC certified
- Clear and coloured stains available
- Curved and undulating shapes possible
- Compatible with industry standard lighting, HVAC, speaker, fire safety and security services

**TYPICAL ISOMETRICS**

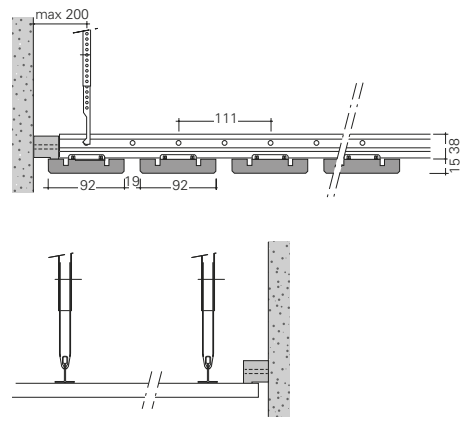
- 1 = Solid Wood Grill panel
  - 2 = Metal dowel
  - 3 = J clip
  - 4 = T 24 main runner
  - 5 = T 24 cross runner
  - 6 = Cross lock bracket
  - 7 = Nonius hanger
- 1 = Solid Wood Linear panel
  - 2 = Carrier
  - 3 = Panel fixation pin
  - 4 = Nonius hanger



**TYPICAL SECTIONS**



Solid Wood Grill Exterior system



Solid Wood Linear Exterior system

**PHYSICAL DATA**

Fire rating: B,s2,d0 (according to 13501-1), depending on wood specie and treatment  
 Weight: 5.0 - 8.0 kg/m<sup>2</sup>  
 VOC Emission: Class A+ (according to ISO 16000-9)

**LEED V4 CREDITS**

EA : Optimise Energy Performance  
 EQ : Low-Emitting Materials  
 EQ : Indoor Air Quality Management  
 EQ : Acoustic Performance

**CERTIFICATIONS**

GREENGUARD Gold  
 Cradle-to-cradle (C2C) Silver  
 FSC  
 PEFC

**COLOURS AND FINISHES**

Hunter Douglas offers a wide choice of colours, wood species and finishes. Coloured stains can be added to match custom colours. See website for the most up to date information. The wood images are for illustration purposes only.

**WOOD SPECIES**



European Pine



Siberian Larch



European Oak



Oregon Pine



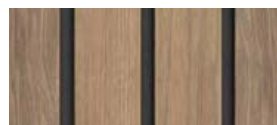
Western Red Cedar



Thermowood



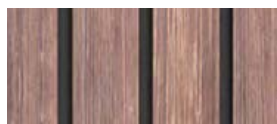
Waxed Wood



Fràke Noir



Nobel Wood

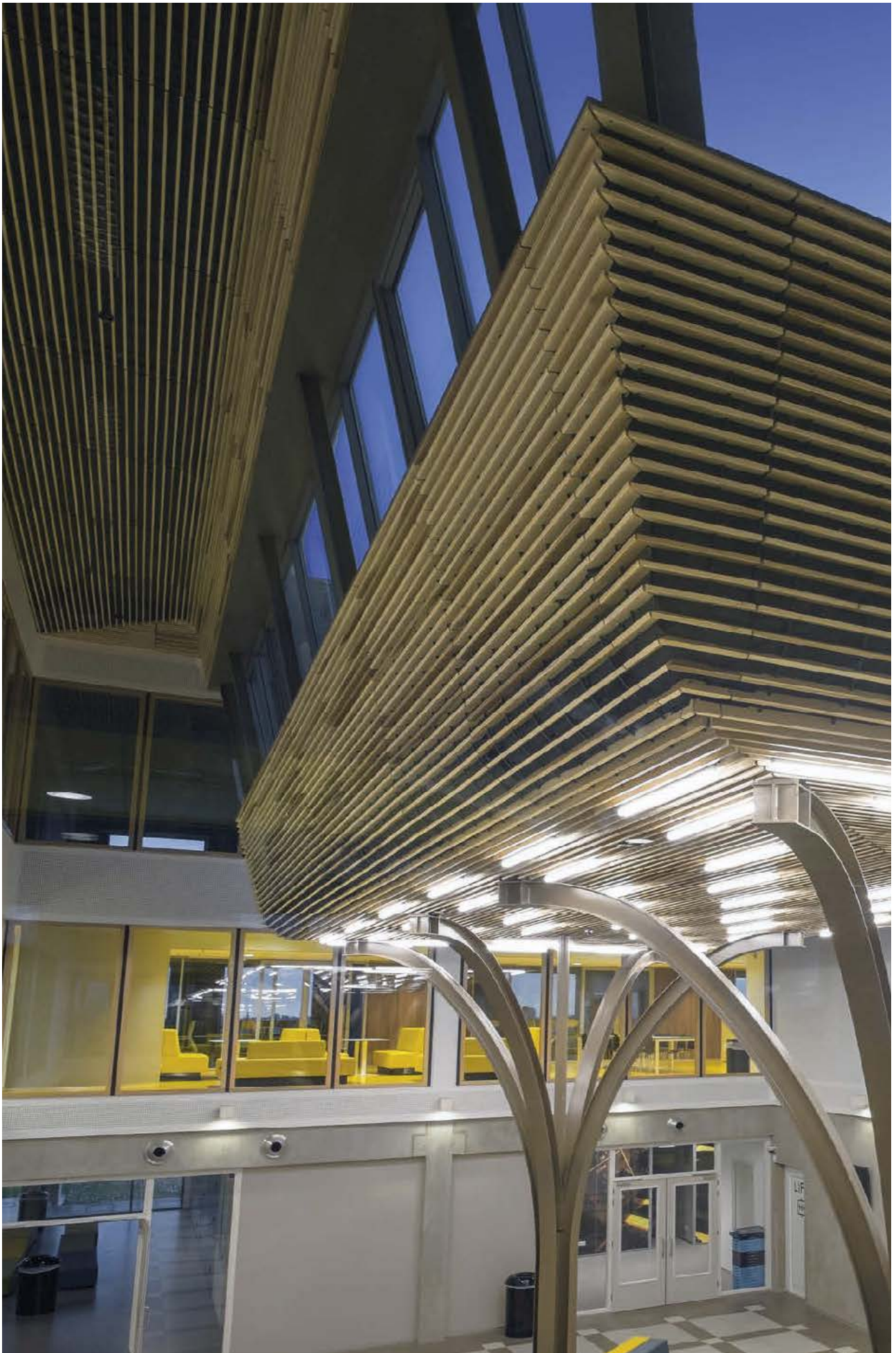


Bamboo



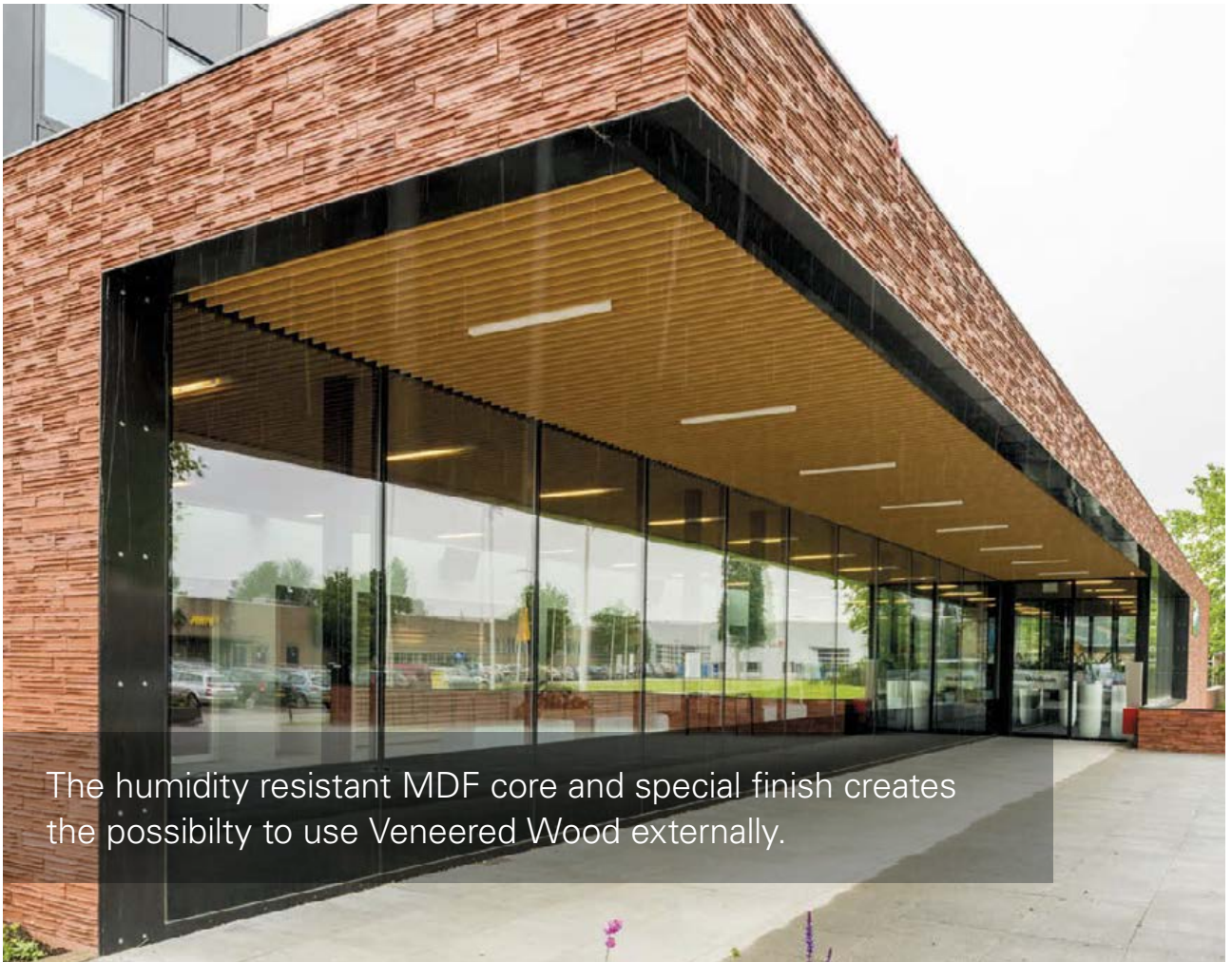
Charred Wood





Project: Melanchton Berkroden, Berkel en Rodenrijs, The Netherlands - Product: Solid Wood Grill, Yellow Poplar - Architect: 01-10 Architecten





The humidity resistant MDF core and special finish creates the possibility to use Veneered Wood externally.

*Project: Town hall, Didam, The Netherlands - Product: Veneered Wood Grill Exterior, Ash - Architect: De Twee Snoeken*

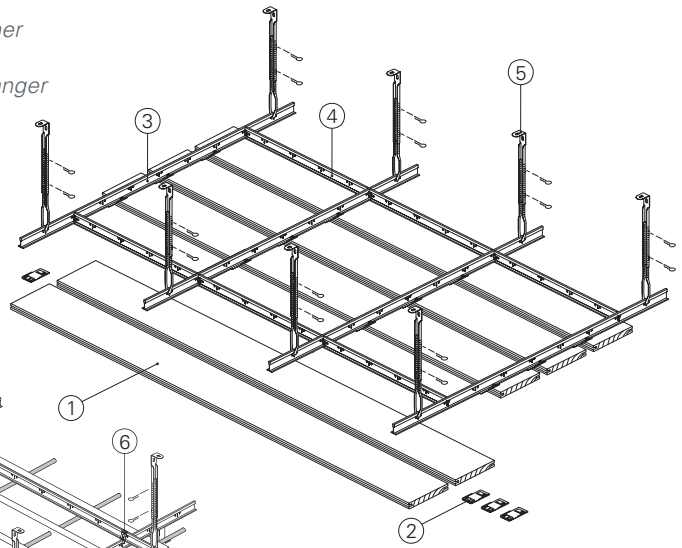
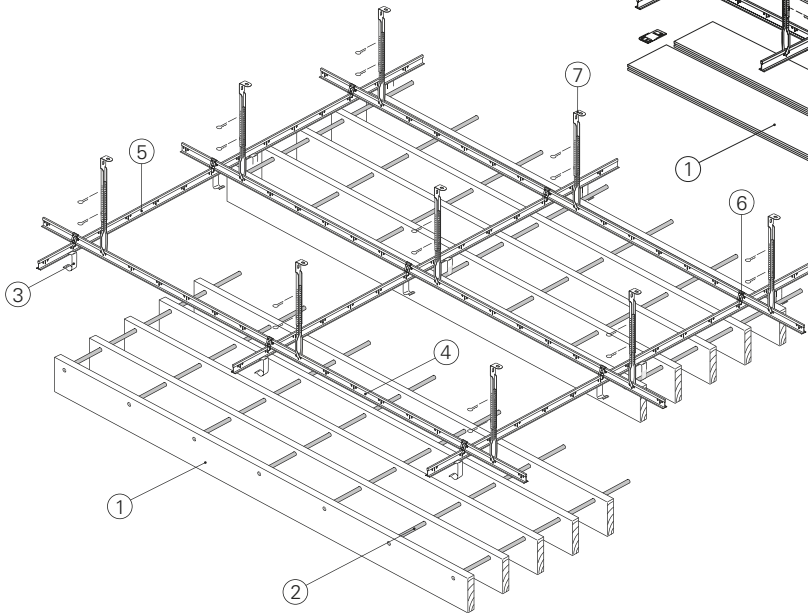
## KEY FEATURES

- Exterior applications
- Various Grill dimensions:  
Width: 17 - 20 - 26 - 31 mm  
Lengths up to 2700 mm  
Height: 65 - 150 mm  
Joint width: 50 - 150 mm
- Various Linear dimensions:  
Width: 65 - 90 - 120 - 150 - 200 - 230 mm  
Lengths up to 2700 mm  
Thickness: 17 or 20 mm  
Joint width: 5 - 10 - 15 - 20 - 30 mm
- Special humidity resistant core material
- Variety of organic or engineered wood veneers, FSC or PEFC certified
- Curved and undulating shapes possible
- Compatible with industry standard lighting, HVAC, speaker, fire safety and security services

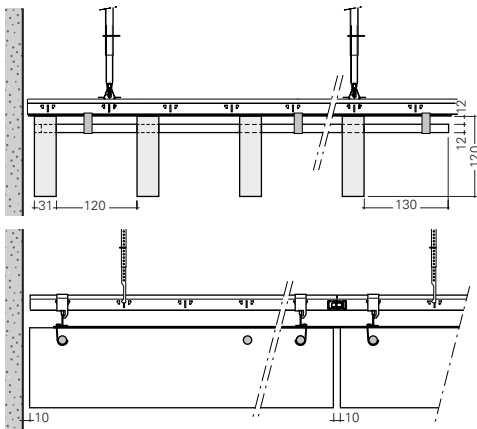
**TYPICAL ISOMETRICS**

- 1 = Veneered Wood Grill panel
- 2 = Metal dowel
- 3 = J clip
- 4 = T 24 main runner
- 5 = T 24 cross runner
- 6 = Cross lock bracket
- 7 = Nonius hanger

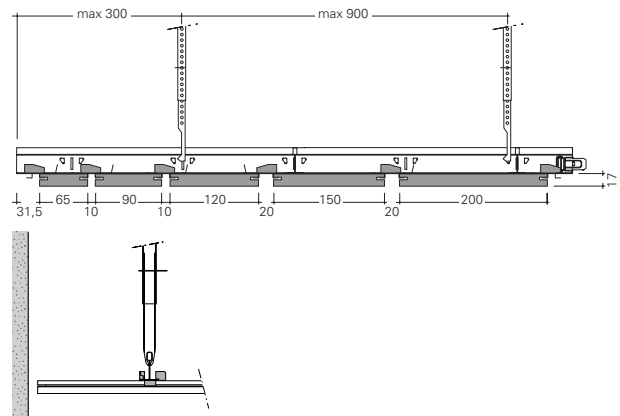
- 1 = Veneered Wood Linear panel
- 2 = Metal clip
- 3 = Main runner
- 4 = Quicklock
- 5 = Nonius hanger



**TYPICAL SECTIONS**



Veneered Wood Grill Exterior system



Veneered Wood Linear Exterior system

**PHYSICAL DATA**

Weight: 12.0 - 20.0 kg/m<sup>2</sup>

**LEED V4 CREDITS**

- EA : Optimise Energy Performance
- EQ : Low-Emitting Materials
- EQ : Indoor Air Quality Management
- EQ : Acoustic Performance

**CERTIFICATIONS**

- GREENGUARD Gold
- Cradle-to-cradle (C2C) Silver
- FSC
- PEFC



**COLOURS AND FINISHES**

Hunter Douglas offers a wide choice of colours, wood species and finishes. Coloured stains can be added to match custom colours. See website for the most up to date information. The wood images are for illustration purposes only.

**ORGANIC VENEERS**

Organic veneer is a natural material sliced from tree logs without alterations or enhancements. This veneer types shows all the characteristics and intrinsic patterns of the tree, caused by the natural influences during his lifetime, making each veneer unique.



American Maple    American Red Oak    American Walnut    American/European Oak    European Ash    European Birch    Pine    Steamed Beech

**ORGANIC DYED VENEERS**

Organic dyed veneer is a completely natural veneer, dyed to create a unique, uniform colour.



Ash BF 001    Ash BF 002    Ash BF 049    Ash BF050    Birch BG 046    Birds Eye Maple E 069    Bolivar EB 064    Walnut EA193

**ENGINEERED VENEERS**

Engineered veneer is a natural material, processed to create a specific predesigned appearance. The veneer patterns create a more consistent and uniform appearance.



Oak    Wenge    Birch    Rosewood    Teak    Walnut    Cherry    Zingana

**SPECIALS**

A high variety of special veneers and top layers are available.

**Banana trunk veneers**



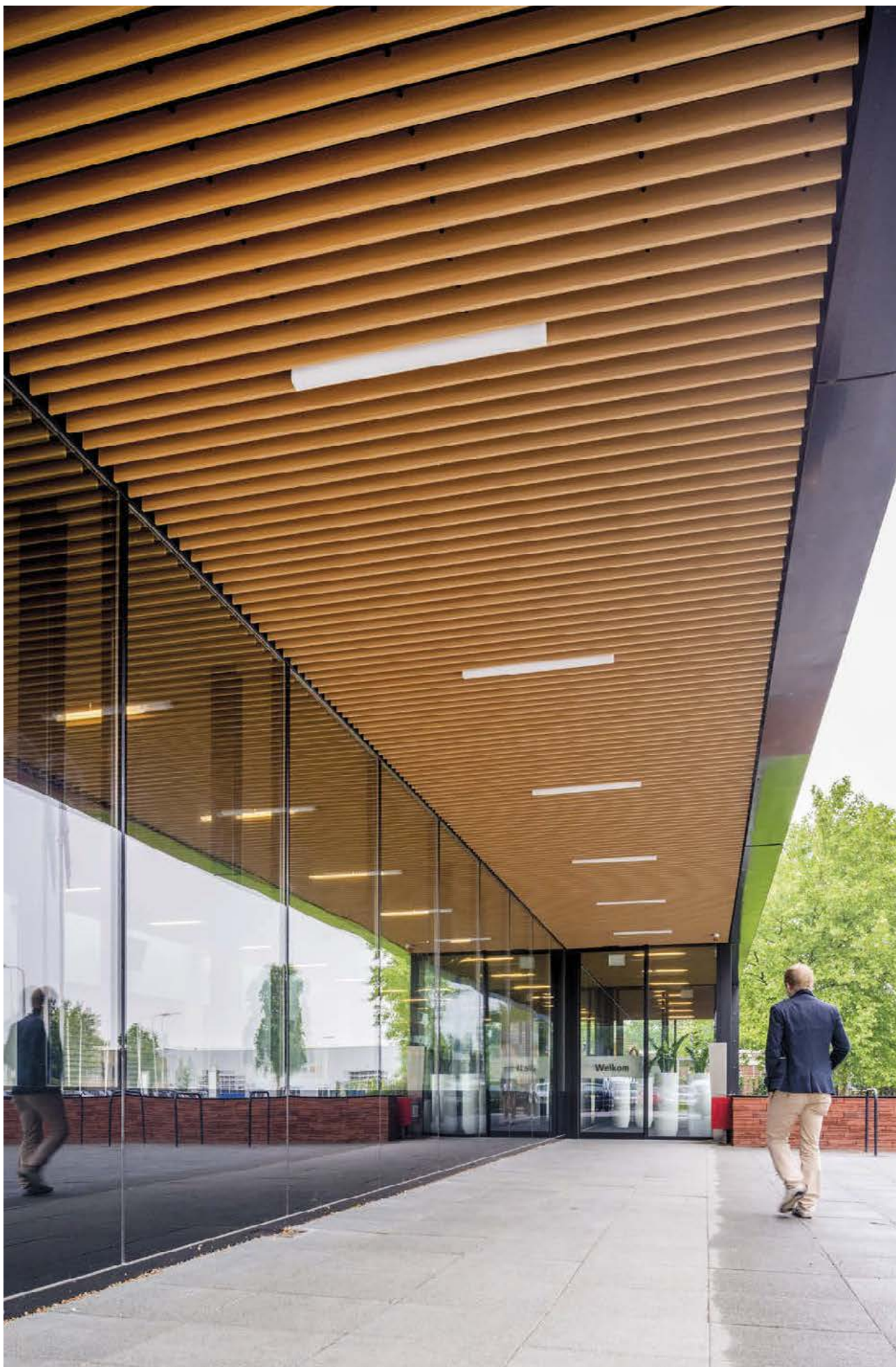
Grenada    Porto Rico    Martinique    St Barth    Aruba    Barbados    Anguilla    Dominica

**Engineered special veneers**



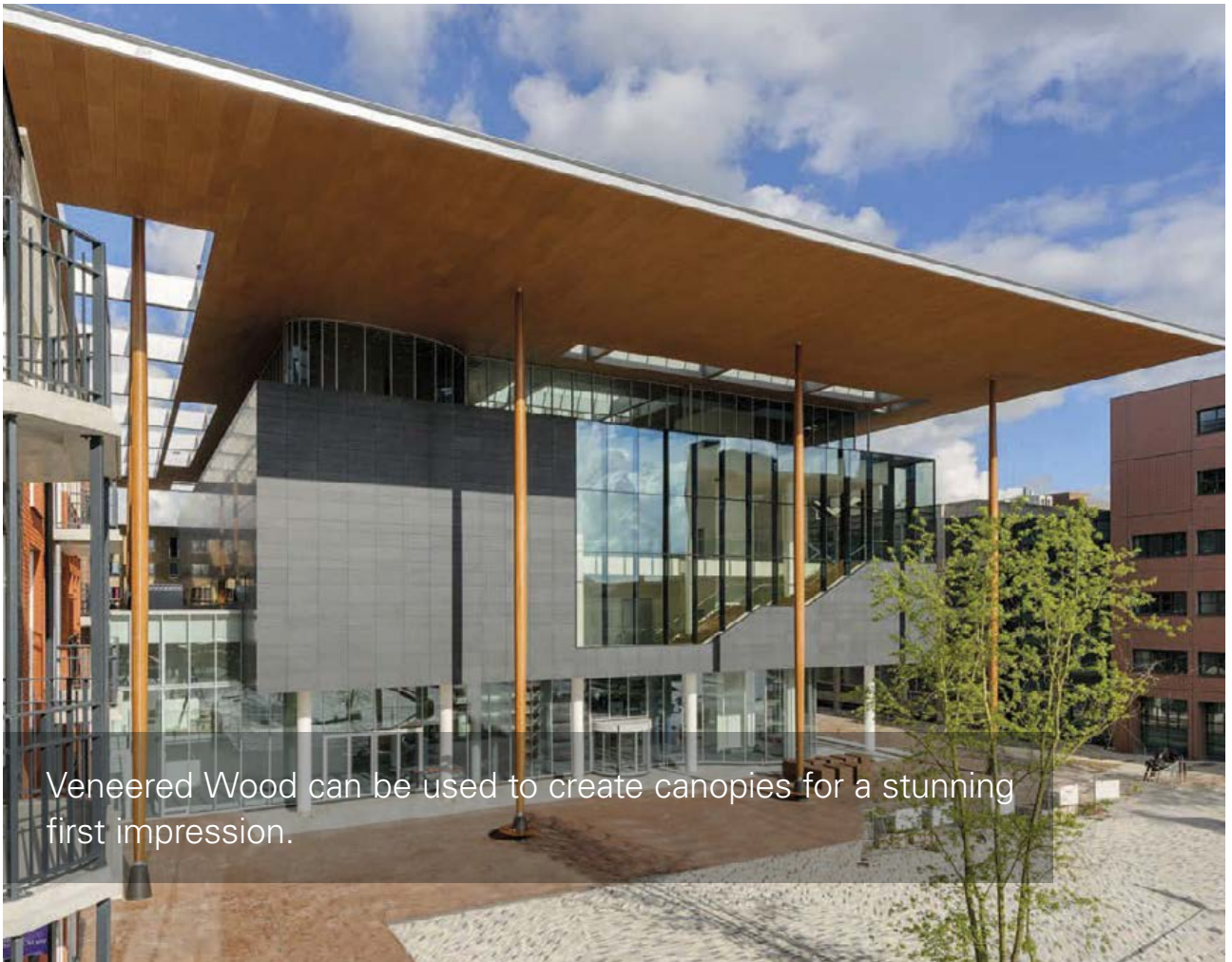
Arrow    Brown Devil    Deco M02    Deco M06    Burl    Cherry EVH    Vega    Mark

- Other finishes such as HPL, melamine or handsprayed RAL colours are available upon request. Please refer to our website for the latest product range.



Project: Town hall, Didam, The Netherlands - Product: Veneered Wood Grill Exterior, Ash - Architect: De Twee Snoeken





Veneered Wood can be used to create canopies for a stunning first impression.

*Project: Fries Museum, Leeuwarden, The Netherlands - Veneered Wood Tiles, Exterior - Architect: Bierman Henket architecten*

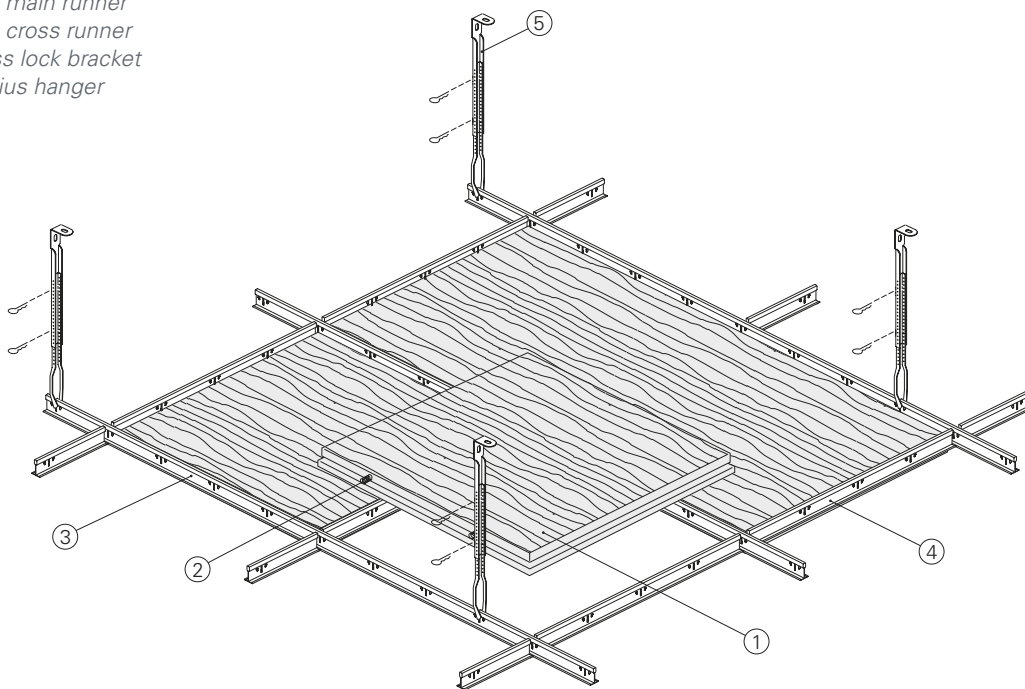
## KEY FEATURES

- Exterior applications
- Tile sizes: 300/600/900/1200 x max. 1200 mm, other sizes available upon request
- Installed in a corrosion resistant T24 grid, with a semi-concealed detail
- The System ceiling type uses springs to keep the panel in place
- Variety of 20+ wood species, FSC or PEFC certified
- Variety of organic or engineered wood veneers, FSC or PEFC certified
- Clear and coloured stains available
- Compatible with industry standard lighting, HVAC, speaker, fire safety and security service

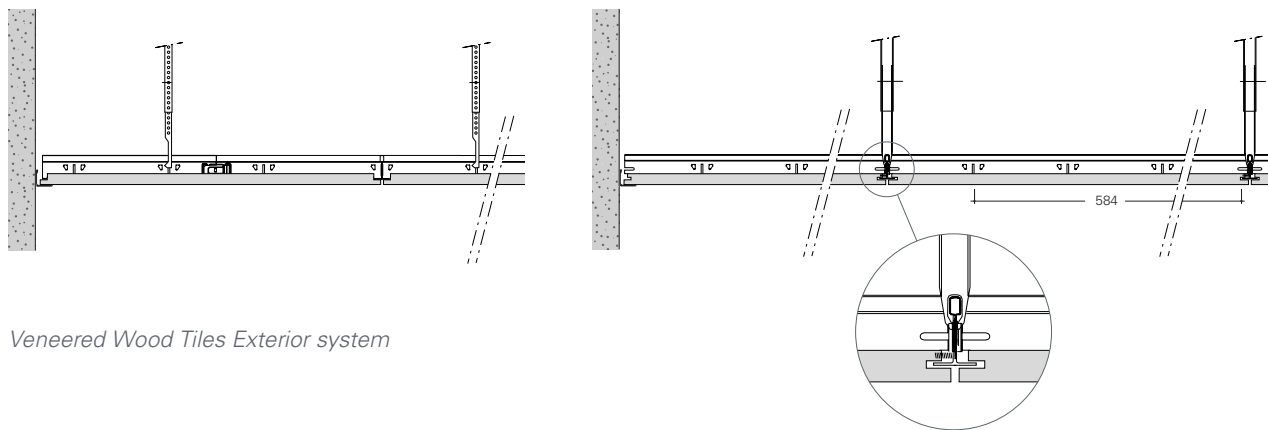


**TYPICAL ISOMETRICS**

- 1 = Veneered Wood Tile (type System shown)
- 2 = Prefixed spring
- 3 = T 24 main runner
- 4 = T 24 cross runner
- 5 = Cross lock bracket
- 6 = Nonius hanger



**TYPICAL SECTIONS**



Veneered Wood Tiles Exterior system

**PHYSICAL DATA**

Weight: 11.0 - 13.0 kg/m<sup>2</sup>

**LEED V4 CREDITS**

- EA : Optimise Energy Performance
- EQ : Low-Emitting Materials
- EQ : Indoor Air Quality Management
- EQ : Acoustic Performance

**CERTIFICATIONS**

- FSC
- PEFC

**COLOURS AND FINISHES**

Hunter Douglas offers a wide choice of colours, wood species and finishes. Coloured stains can be added to match custom colours. See website for the most up to date information. The wood images are for illustration purposes only.

**ORGANIC VENEERS**

Organic veneer is a natural material sliced from tree logs without alterations or enhancements. This veneer types shows all the characteristics and intrinsic patterns of the tree, caused by the natural influences during his lifetime, making each veneer unique.



American Maple    American Red Oak    American Walnut    American/European Oak    European Ash    European Birch    Pine    Steamed Beech

**ORGANIC DYED VENEERS**

Organic dyed veneer is a completely natural veneer, dyed to create a unique, uniform colour.



Ash BF 001    Ash BF 002    Ash BF 049    Ash BF050    Birch BG 046    Birds Eye Maple E 069    Bolivar EB 064    Walnut EA193

**ENGINEERED VENEERS**

Engineered veneer is a natural material, processed to create a specific predesigned appearance. The veneer patterns create a more consistent and uniform appearance.



Oak    Wenge    Birch    Rosewood    Teak    Walnut    Cherry    Zingana

**SPECIALS**

A high variety of special veneers and top layers are available.

**Banana trunk veneers**



Grenada    Porto Rico    Martinique    St Barth    Aruba    Barbados    Anguilla    Dominica

**Engineered special veneers**



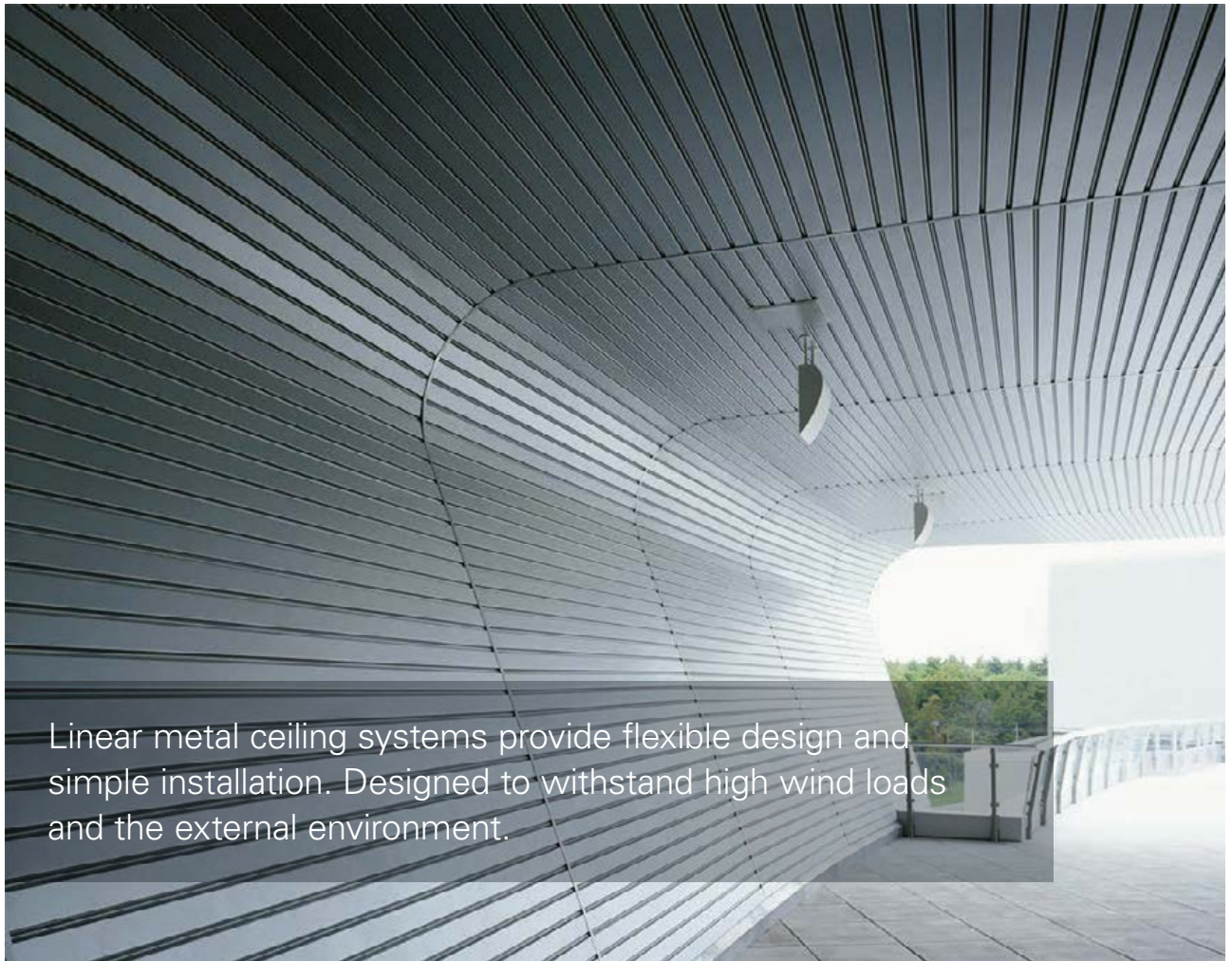
Arrow    Brown Devil    Deco M02    Deco M06    Burl    Cherry EVH    Vega    Mark

- Other finishes such as HPL, melamine or handsprayed RAL colours are available upon request. Please refer to our website for the latest product range.



Project: Philips High Tech Campus, Eindhoven, The Netherlands - Product: Veneered Wood Tiles Exterior, American Maple - Architect: JHK Architecten





Linear metal ceiling systems provide flexible design and simple installation. Designed to withstand high wind loads and the external environment.

*Project: Reebok World Headquarters, Canton, MA, USA - Product: Linear MultiPanel Exterior - Architect: NBBJ Architects of Seattle*

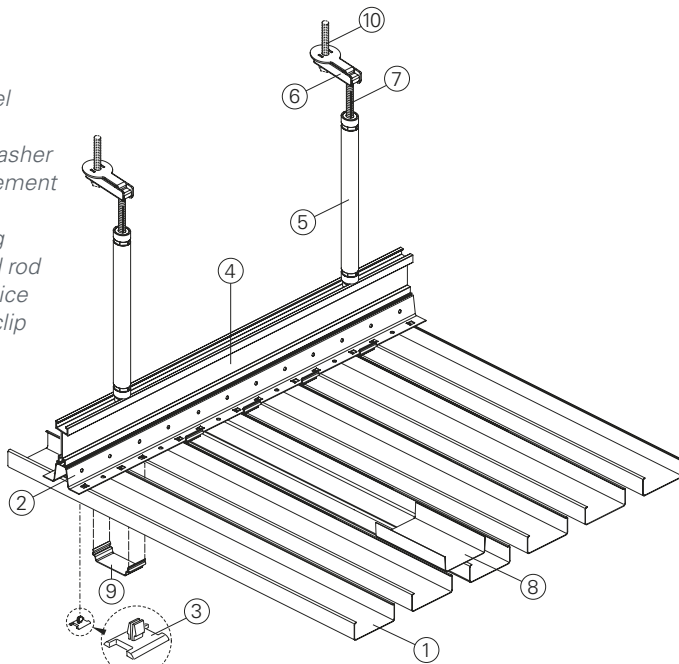
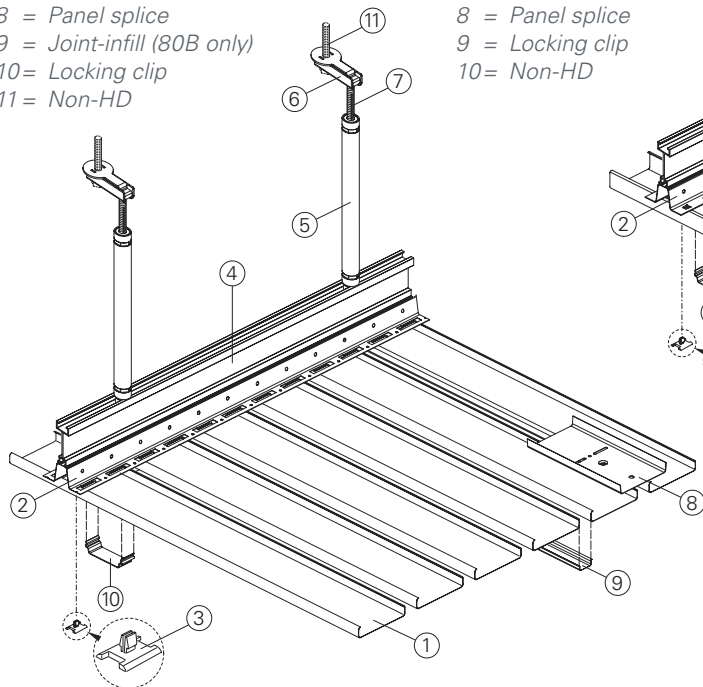
## KEY FEATURES

- Panel widths: 70 mm (70U) and 80 mm (80B)
- Panel length: 800 mm up to 6000 mm
- Panel depths:
  - 15 mm (80B)
  - 25 mm (70U)
- Special support system (ProFix) to provide rigid and stable construction for wind load resistance
- On site waste reduction with factory fabricated dimensional material
- Downweight: reduce static load with lightweight aluminum
- Easy plenum access

**TYPICAL ISOMETRICS**

- 1 = 80B panel
- 2 = Carrier
- 3 = Screw washer
- 4 = Reinforcement
- 5 = Hanger
- 6 = Top fixing
- 7 = Threaded rod
- 8 = Panel splice
- 9 = Joint-infill (80B only)
- 10 = Locking clip
- 11 = Non-HD

- 1 = 70U panel
- 2 = Carrier
- 3 = Screw washer
- 4 = Reinforcement
- 5 = Hanger
- 6 = Top fixing
- 7 = Threaded rod
- 8 = Panel splice
- 9 = Locking clip
- 10 = Non-HD

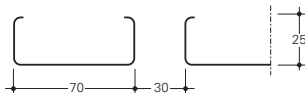


Spans vary with the applicable wind load

**TYPICAL SECTIONS**



80B



70U

**PERFORATION PATTERNS**



Plain

**PHYSICAL DATA**

- Substrate: Aluminium
- Fire rating: Class A2,s1,d0 (all versions) according EN 13501-1
- Weight: Varies ca 2.5 kg/m<sup>2</sup> - 3.4 kg/m<sup>2</sup>
- Light reflectance (LR) Coefficient:
  - Varies with finish
  - HD0260: LR = 0.81
- Wind load: according EN 1991-1-4 and National Annexes

**BIM**

REVIT files available, see website for details.

**LEED V4 CREDITS**

- EA : Optimise Energy Performance
- MR: Building Product Disclosure
- EQ : Low-Emitting Materials
- EQ : Daylight

**CERTIFICATIONS**

- ISO 9001
- ISO 14001
- TAIM Certified
- French VOC Regulation Class A+
- EPD: Available upon request
- Wind load resistance

**COLOURS AND FINISHES**

Hunter Douglas offers a wide choice of colours and finishes. Custom colour matching is available upon request. Please contact your local Hunter Douglas sales office for minimum quantities and lead times. See website for the most up to date information. Colours are for illustration purposes only.

**PROTECTED BY LUXACOTE®**

*Luxacote® is a unique treatment for Luxalon® Exterior Ceilings.*

**Unprecedented Protection**



Proprietary Hunter Douglas' Luxacote® makes exterior ceilings extremely durable, providing colour and gloss stability, high scratch resistance, and resistance to corrosion. With Luxacote®, there is no need to recoat, which reduces maintenance costs and additional environmental impact.

Luxacote® protects the aluminium surface from corrosion and permanently anchors the paint to the metal surface. It contains highly colour-stable pigments for optimal colour-fastness and a highly scratch- and wear-resistant surface.

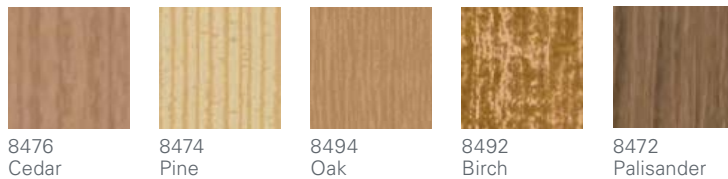
**STANDARD LUXACOTE® PAINT COLOURS MULTIPANEL**



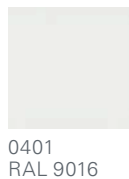
**CUSTOM COLOURS**



**WOOD TONES (OPTIONAL), NON LUXACOTE®**



**STANDARD LUXACOTE® PAINT COLOURS 70U**



**CUSTOM COLOURS**







Project: Ferrari Restaurant, Maranello, Italy - Product: Linear Multipanel Exterior - Architect: M. Visconti





Combining panels in random or predetermined patterns creates exciting closed surfaces that withstand wind loads and the external environment.

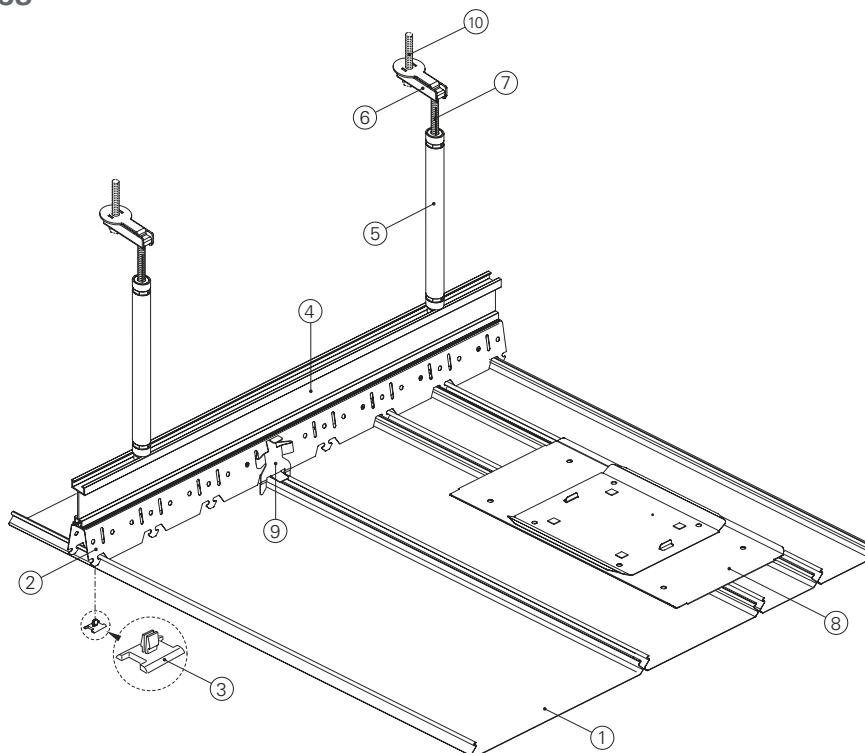
*Project: Poleczki Business Park, Warswa, Poland - Product: Linear Closed Exterior - Architect: RKW*

## KEY FEATURES

- Panel widths: 75, 150 and 225 mm
- Panel length: 800 mm up to 6000 mm
- Panel depths: 15 mm
- Special support system (ProFix) to provide rigid and stable construction for wind load resistance
- On site waste reduction with factory fabricated dimensional material
- Downweight: reduce static load with lightweight aluminum
- Easy plenum access

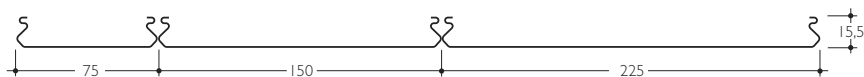
**TYPICAL ISOMETRICS**

- 1 = Panel
- 2 = Carrier
- 3 = Screw washer
- 4 = Reinforcement
- 5 = Hanger
- 6 = Top fixing
- 7 = Threaded rod
- 8 = Panel splice
- 9 = Locking clip
- 10 = Non-HD



Spans vary with the applicable wind load

**TYPICAL SECTIONS**



**PERFORATION PATTERNS**



Plain

**PHYSICAL DATA**

**Substrate:** Aluminium  
**Fire rating:** Class A2,s1,d0 (all versions) according EN 13501-1  
**Weight:** Varies ca 2.5 kg/m<sup>2</sup> - 3.4 kg/m<sup>2</sup>  
**Light reflectance (LR) Coefficient:**  
 - Varies with finish  
 - HD0260: LR = 0.81  
**Wind load:** according EN 1991-1-4 and National Annexes

**BIM**  
 REVIT files available, see website for details.

**LEED V4 CREDITS**

EA : Optimise Energy Performance  
 MR: Building Product Disclosure  
 EQ : Low-Emitting Materials  
 EQ : Daylight

**CERTIFICATIONS**

ISO 9001  
 ISO 14001  
 TAIM Certified  
 French VOC Regulation Class A+  
 EPD: Available upon request  
 Wind load resistance



### COLOURS AND FINISHES

Hunter Douglas offers a wide choice of colours and finishes. Custom colour matching is available upon request. Please contact your local Hunter Douglas sales office for minimum quantities and lead times. See website for the most up to date information. Colours are for illustration purposes only.

#### PROTECTED BY LUXACOTE®

*Luxacote® is a unique treatment for Luxalon® Exterior Ceilings.*

#### Unprecedented Protection



for exterior application

Proprietary Hunter Douglas' Luxacote® makes exterior ceilings extremely durable, providing colour and gloss stability, high scratch resistance, and resistance to corrosion. With Luxacote®, there is no need to recoat, which reduces maintenance costs and additional environmental impact.

Luxacote® protects the aluminium surface from corrosion and permanently anchors the paint to the metal surface. It contains highly colour-stable pigments for optimal colour-fastness and a highly scratch- and wear-resistant surface.

#### STANDARD LUXACOTE® PAINT COLOURS



0260  
RAL 9010

0401  
RAL 9016

1660  
RAL 7015  
(75C only)

7035  
RAL 9007  
(75C only)

7080  
RAL 9006

#### CUSTOM COLOURS



#### WOOD TONES (OPTIONAL), NON LUXACOTE®



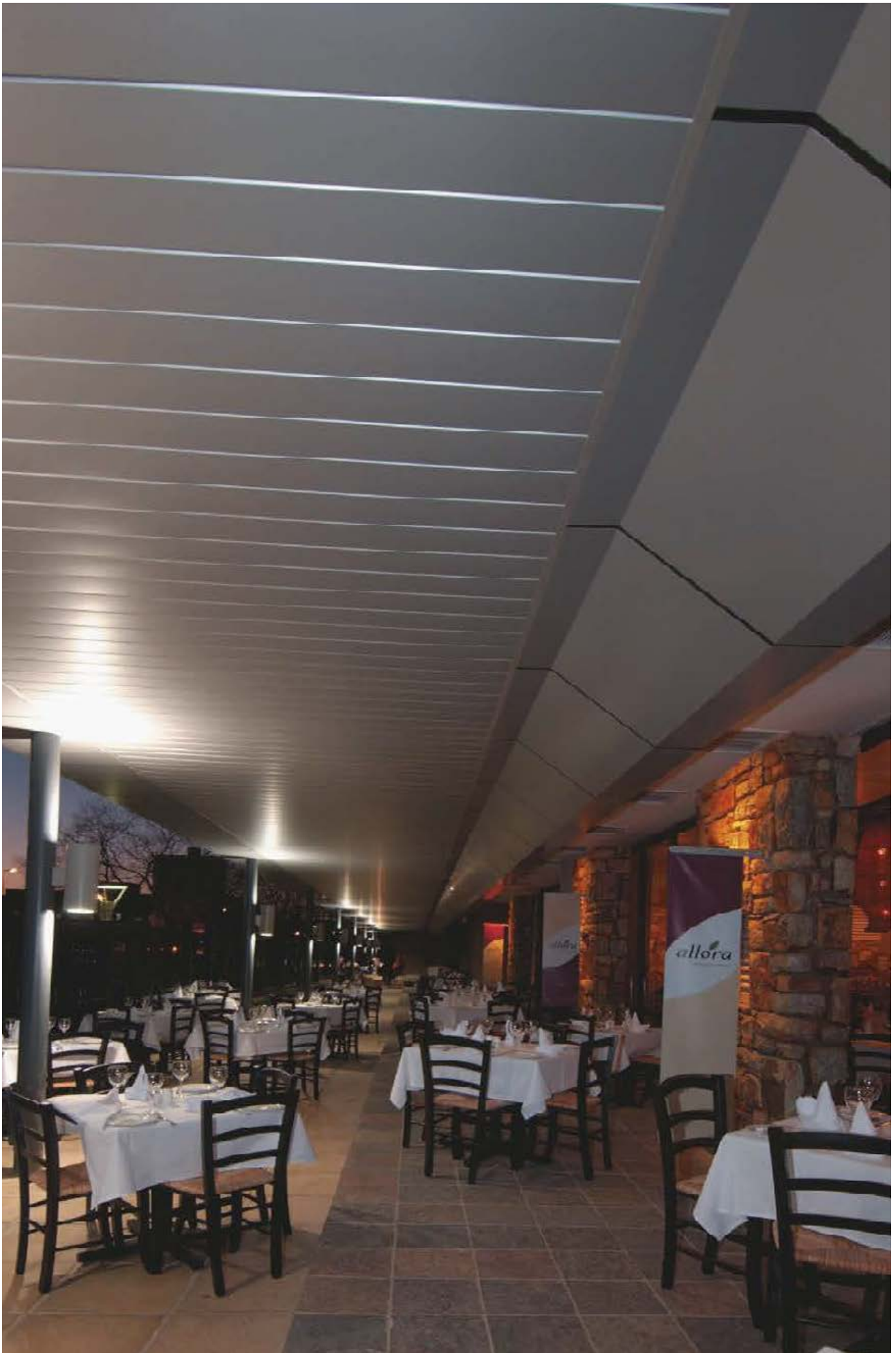
8476  
Cedar

8474  
Pine

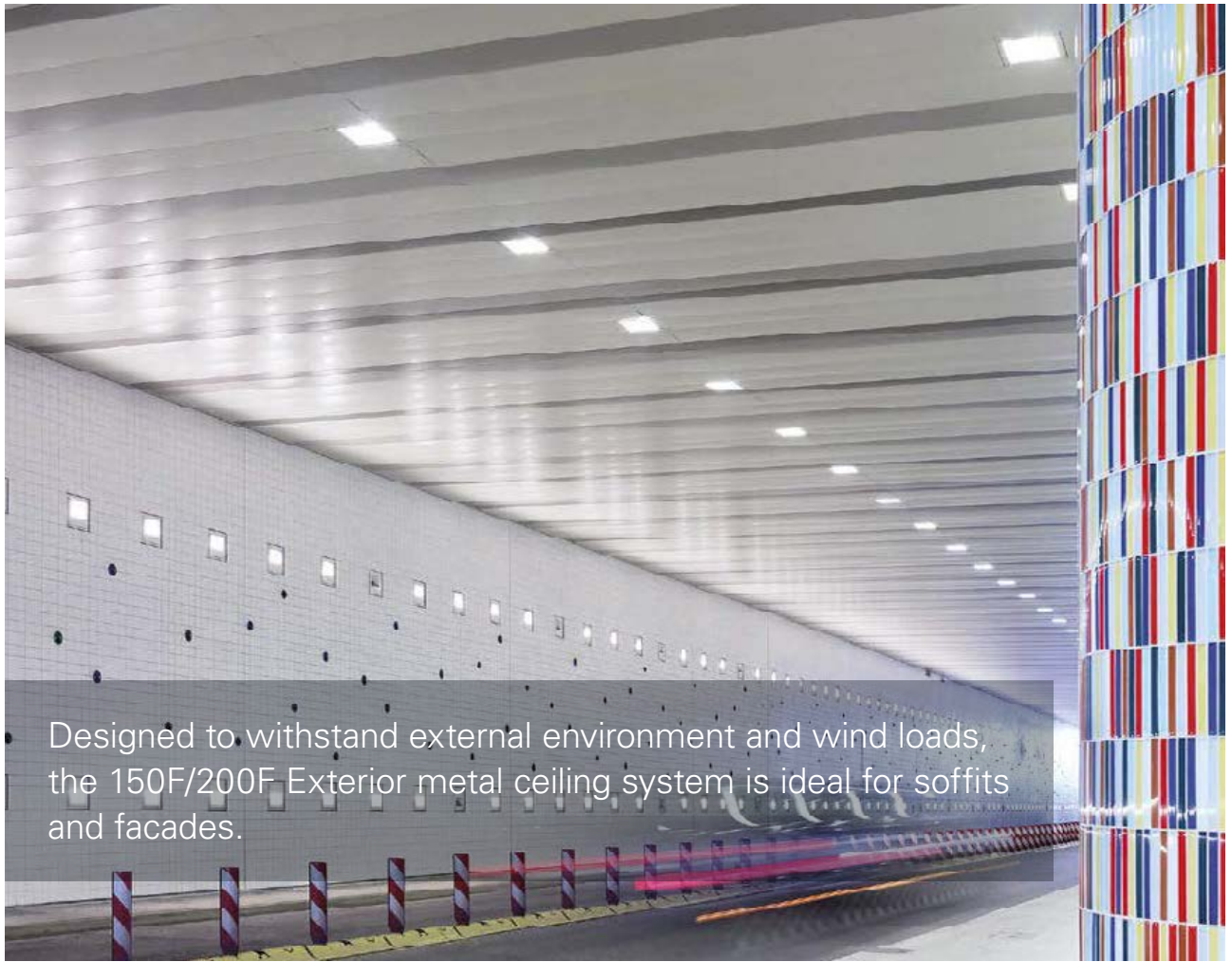
8494  
Oak

8492  
Birch

8472  
Palisander



Project: Gwenlane Towers, Johannesburg, SA - Product : Linear Closed Exterior - Architect : BK Architects



Designed to withstand external environment and wind loads, the 150F/200F Exterior metal ceiling system is ideal for soffits and facades.

*Project : Above : Weena Tunnel, Rotterdam, The Netherlands - Product : Exterior Ceiling - Architect : Maarten Struijs*

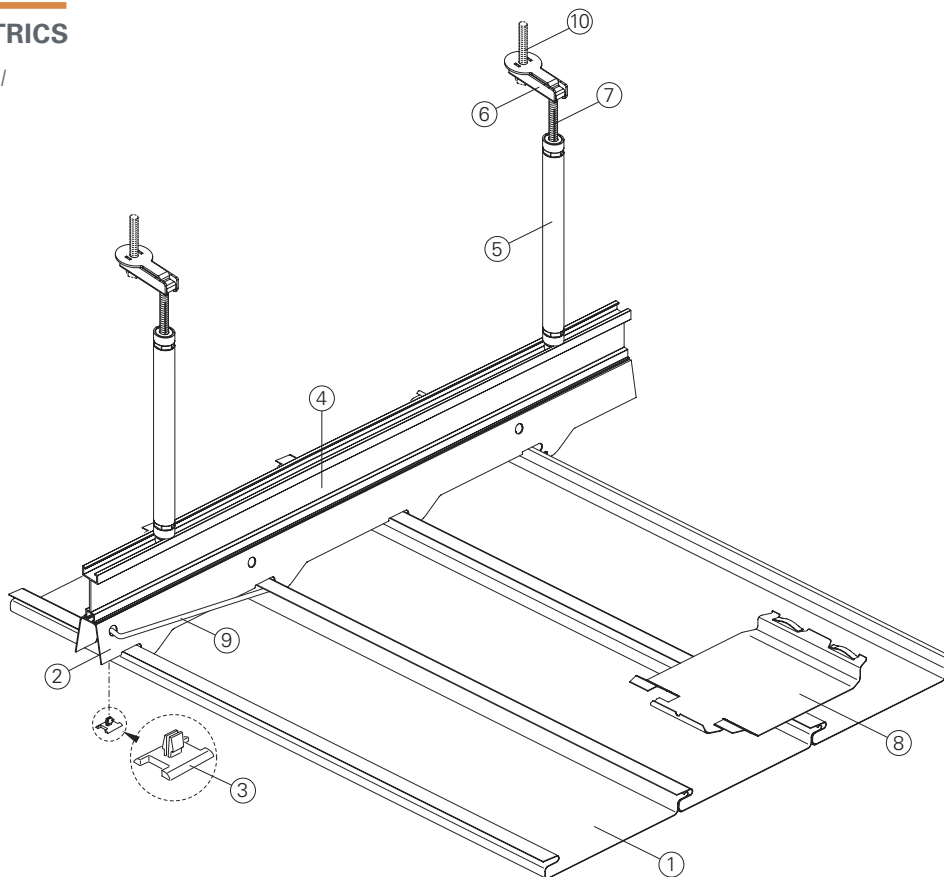
## KEY FEATURES

- Panel widths: 150 mm (150F) and 200 mm (200F)
- Panel length: 800 mm up to 6000 mm
- Special support system (ProFix) to provide rigid and stable construction for wind load resistance
- Both panels can be combined in one installation (fixed on screw clamps)
- On site waste reduction with factory fabricated dimensional material
- Downweight: reduce static load with lightweight aluminum
- Easy plenum access



**TYPICAL ISOMETRICS**

- 1 = 150F/200F panel
- 2 = Carrier
- 3 = Screw washer
- 4 = Reinforcement
- 5 = Hanger
- 6 = Top fixing
- 7 = Threaded rod
- 8 = Panel splice
- 9 = U-bracket
- 10 = Non-HD



Spans vary with the applicable wind load

**TYPICAL SECTIONS**



**PERFORATION PATTERNS**



Plain

**PHYSICAL DATA**

- Substrate: Aluminium
- Fire rating: Class A2,s1,d0 (all versions) according EN 13501-1
- Weight: Varies ca 2.8 kg/m<sup>2</sup> - 3.1 kg/m<sup>2</sup>
- Light reflectance (LR) Coefficient:
  - Varies with finish
  - HD0260: LR = 0.81
- Wind load: according EN 1991-1-4 and National Annexes

**BIM**

REVIT files available, see website for details.

**LEED V4 CREDITS**

- EA : Optimise Energy Performance
- MR: Building Product Disclosure
- EQ : Low-Emitting Materials
- EQ : Daylight

**CERTIFICATIONS**

- ISO 9001
- ISO 14001
- TAIM Certified
- French VOC Regulation Class A+
- EPD: Available upon request
- Wind load resistance

**COLOURS AND FINISHES**

Hunter Douglas offers a wide choice of colours and finishes. Custom colour matching is available upon request. Please contact your local Hunter Douglas sales office for minimum quantities and lead times. See website for the most up to date information. Colours are for illustration purposes only.

**PROTECTED BY LUXACOTE®**

*Luxacote® is a unique treatment for Luxalon® Exterior Ceilings.*

**Unprecedented Protection**



for exterior application

Proprietary Hunter Douglas' Luxacote® makes exterior ceilings extremely durable, providing colour and gloss stability, high scratch resistance, and resistance to corrosion. With Luxacote®, there is no need to recoat, which reduces maintenance costs and additional environmental impact.

Luxacote® protects the aluminium surface from corrosion and permanently anchors the paint to the metal surface. It contains highly colour-stable pigments for optimal colour-fastness and a highly scratch- and wear-resistant surface.

**STANDARD LUXACOTE® PAINT COLOURS**



0260  
RAL 9010

0401  
RAL 9016

1660  
RAL 7015

7035  
RAL 9007

7080  
RAL 9006

**CUSTOM COLOURS**



**WOOD TONES (OPTIONAL), NON LUXACOTE®**



8476  
Cedar

8474  
Pine

8494  
Oak

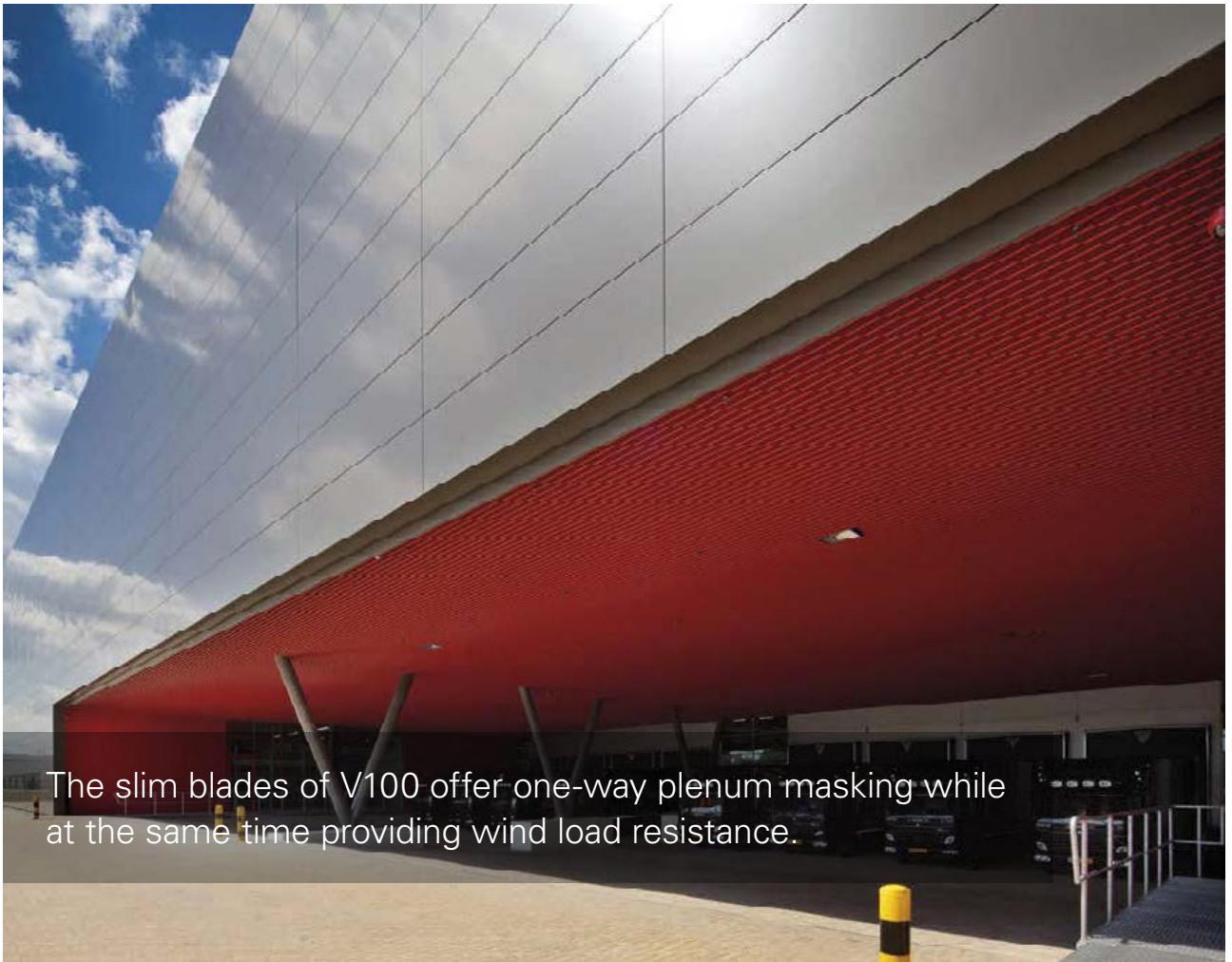
8492  
Birch

8472  
Palisander



Project: Wildlands, Emmen, The Netherlands - Product: Linear 150F/200F - Architect: LKSVD architecten





The slim blades of V100 offer one-way plenum masking while at the same time providing wind load resistance.

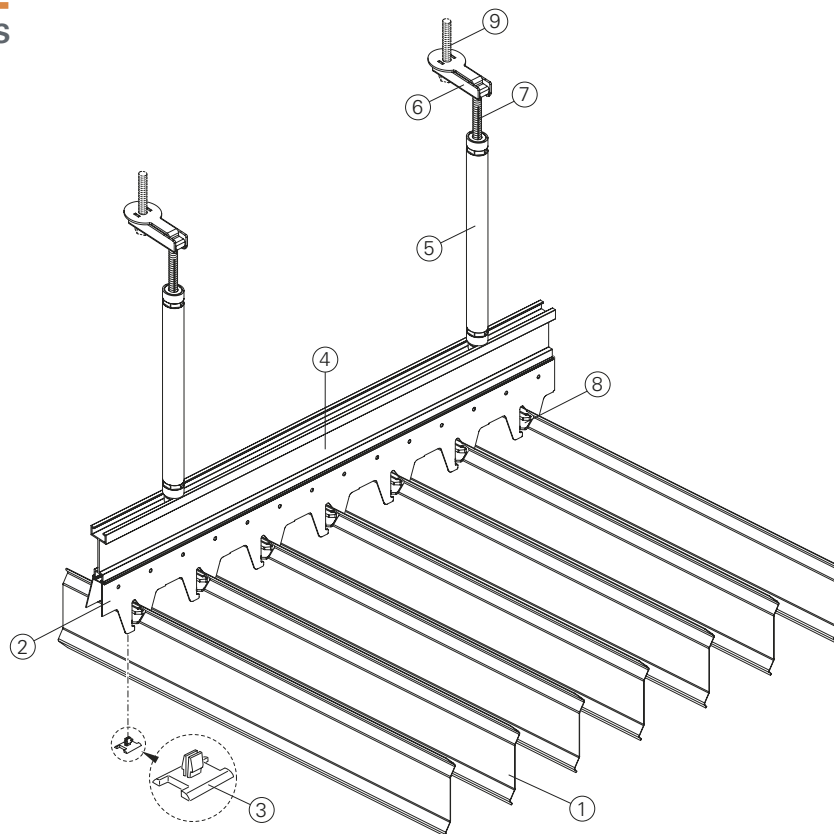
*Project: Distributie Centrum, Tilburg, the Netherlands - Product: Baffles V100 - Architect: Jeroen Weijers, Van Oers Weijers Architecten*

## KEY FEATURES

- Panel height: 100 mm
- Panel length: 800 mm up to 6000 mm
- Special support system (ProFix™) to provide rigid and stable construction for wind load resistance
- On site waste reduction with factory fabricated dimensional material
- Downweight: reduce static load with lightweight aluminum
- Easy plenum access

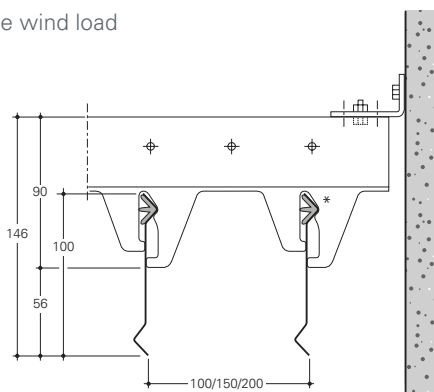
**TYPICAL ISOMETRICS**

- 1 = V100 panel
- 2 = Carrier
- 3 = Screw washer
- 4 = Reinforcement
- 5 = Hanger
- 6 = Top fixing
- 7 = Threaded rod
- 8 = Locking clip
- 9 = Non-HD



Spans vary with the applicable wind load

**TYPICAL SECTIONS**



**PERFORATION PATTERNS**



Plain

**PHYSICAL DATA**

- Substrate: Aluminium
- Fire rating: Class A2,s1,d0 (all versions) according EN 13501-1
- Weight: Varies ca 2.8 kg/m<sup>2</sup> - 3.1 kg/m<sup>2</sup>
- Light reflectance (LR) Coefficient:
  - Varies with finish
  - HD0260: LR = 0.81
- Wind load: according EN 1991-1-4 and National Annexes

**BIM**

REVIT files available, see website for details.

**LEED V4 CREDITS**

- EA : Optimise Energy Performance
- MR: Building Product Disclosure
- EQ : Low-Emitting Materials
- EQ : Daylight

**CERTIFICATIONS**

- ISO 9001
- ISO 14001
- TAIM Certified
- French VOC Regulation Class A+
- EPD: Available upon request
- Wind load resistance

**COLOURS AND FINISHES**

Hunter Douglas offers a wide choice of colours and finishes. Custom colour matching is available upon request. Please contact your local Hunter Douglas sales office for minimum quantities and lead times. See website for the most up to date information. Colours are for illustration purposes only.

**PROTECTED BY LUXACOTE®**

*Luxacote® is a unique treatment for Luxalon® Exterior Ceilings.*

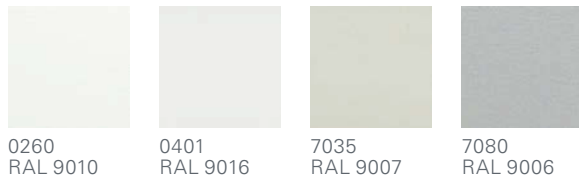
**Unprecedented Protection**



Proprietary Hunter Douglas' Luxacote® makes exterior ceilings extremely durable, providing colour and gloss stability, high scratch resistance, and resistance to corrosion. With Luxacote®, there is no need to recoat, which reduces maintenance costs and additional environmental impact.

Luxacote® protects the aluminium surface from corrosion and permanently anchors the paint to the metal surface. It contains highly colour-stable pigments for optimal colour-fastness and a highly scratch- and wear-resistant surface.

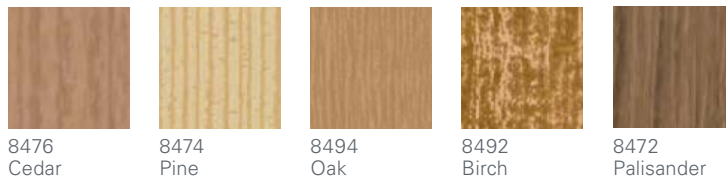
**STANDARD LUXACOTE® PAINT COLOURS**



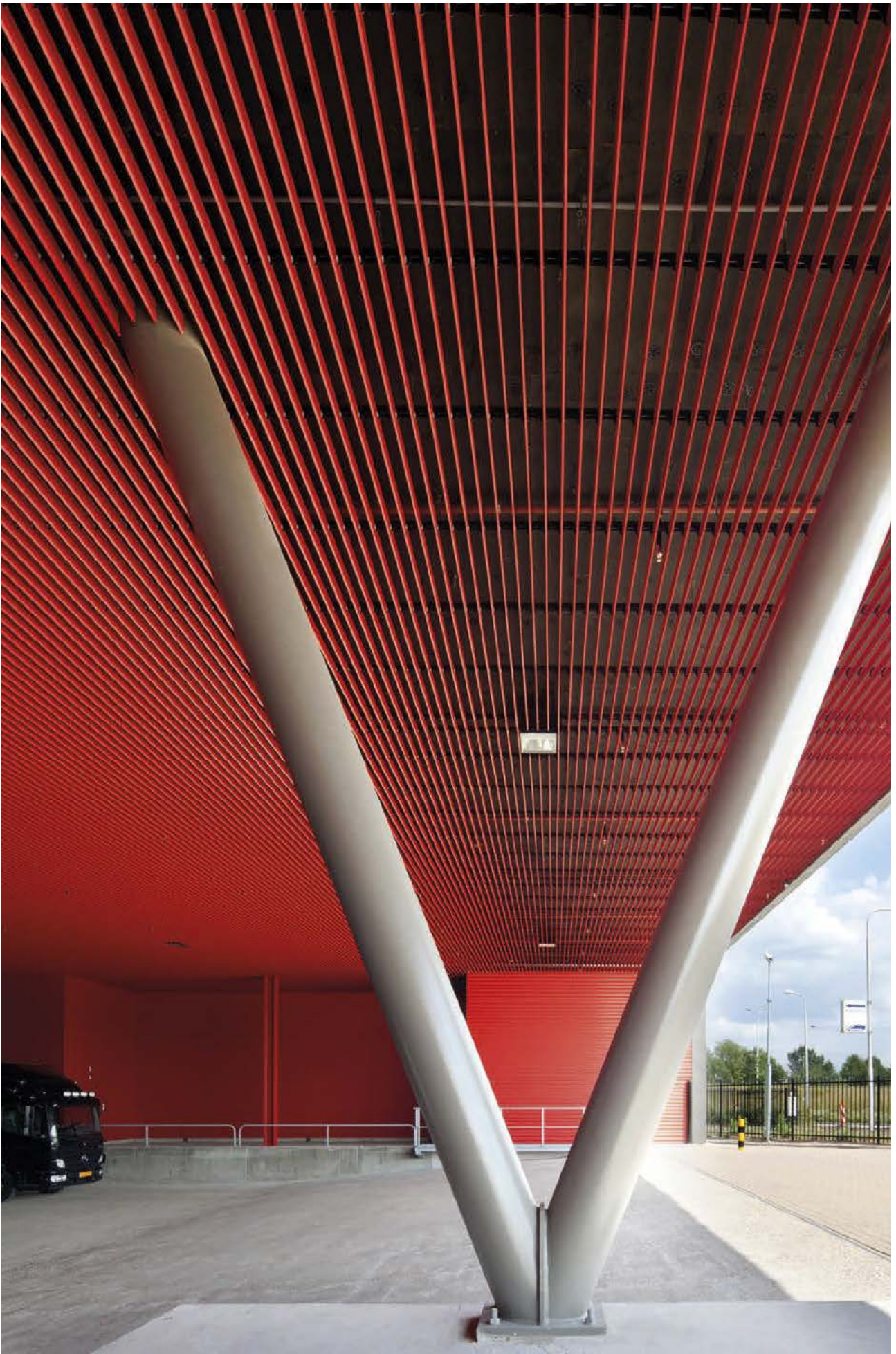
**CUSTOM COLOURS**



**WOOD TONES (OPTIONAL), NON LUXACOTE®**







Project: Distributie Centrum, Tilburg, the Netherlands - Product: Baffles V100 - Architect: Jeroen Weijers, Van Oers Weijers Architecten





Designed to withstand wind loads, 300C/300L metal ceiling panels offer a subtle, long span design for exterior ceilings.

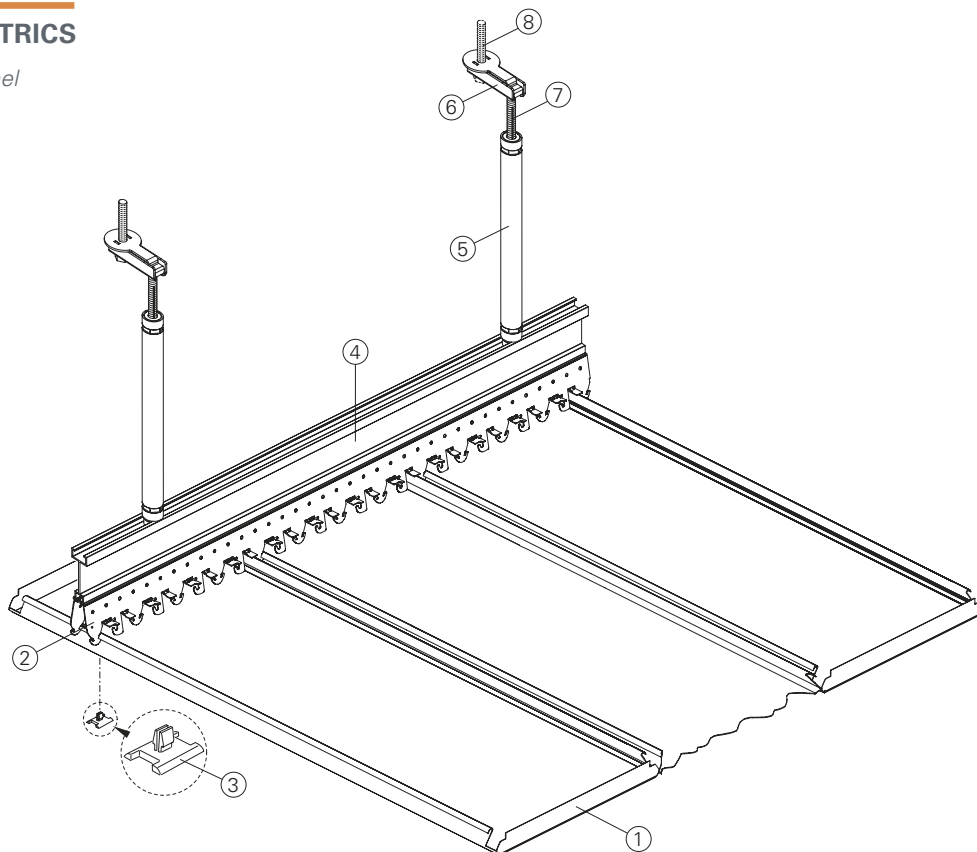
*Project: Terminal at Gdansk Lech Walesa Airport, Gdansk, Poland - Product: Wide Panel 300C/300L Exterior Ceiling - Architect: JSK Architekci Sp z o.o.*

## KEY FEATURES

- Panel width 300 mm
- Panel length: 1000 mm up to 6000 mm
- Bevel-edge design (300C) and square edge design (300L)
- Special support system (ProFix™) to provide rigid and stable construction for wind load resistance
- Both panels can be combined in one installation (fixed on screw clamps)
- On site waste reduction with factory fabricated dimensional material
- Downweight: reduce static load with lightweight aluminum
- Easy plenum access

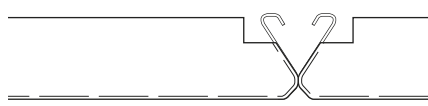
**TYPICAL ISOMETRICS**

- 1 = 300C/300L panel
- 2 = Carrier
- 3 = Screw washer
- 4 = Reinforcement
- 5 = Hanger
- 6 = Top fixing
- 7 = Threaded rod
- 8 = Non-HD

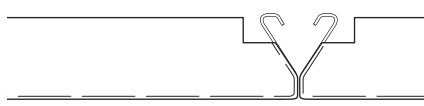


Spans vary with the applicable wind load

**TYPICAL SECTIONS**



300C



300L

**PERFORATION PATTERNS**



Plain

**PHYSICAL DATA**

- Substrate: Aluminium
- Fire rating: Class A2,s1,d0 (all versions) according EN 13501-1
- Weight: Varies ca 2.9 kg/m<sup>2</sup>
- Light reflectance (LR) Coefficient:
  - Varies with finish
  - HD0260: LR = 0.81
- Wind load: according EN 1991-1-4 and National Annexes

**BIM**

REVIT files available, see website for details.

**LEED V4 CREDITS**

- EA : Optimise Energy Performance
- MR: Building Product Disclosure
- EQ : Low-Emitting Materials
- EQ : Daylight

**CERTIFICATIONS**

- ISO 9001
- ISO 14001
- TAIM Certified
- French VOC Regulation Class A+
- EPD: Available upon request
- Wind load resistance



## COLOURS AND FINISHES

Hunter Douglas offers a wide choice of colours and finishes. Custom colour matching is available upon request. Please contact your local Hunter Douglas sales office for minimum quantities and lead times. See website for the most up to date information. Colours are for illustration purposes only.

### PROTECTED BY LUXACOTE®

*Luxacote® is a unique treatment for Luxalon® Exterior Ceilings.*

#### Unprecedented Protection

**LUXACOTE®**  
for exterior application

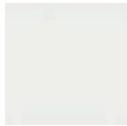
Proprietary Hunter Douglas' Luxacote® makes exterior ceilings extremely durable, providing colour and gloss stability, high scratch resistance, and resistance to corrosion. With Luxacote®, there is no need to recoat, which reduces maintenance costs and additional environmental impact.

Luxacote® protects the aluminium surface from corrosion and permanently anchors the paint to the metal surface. It contains highly colour-stable pigments for optimal colour-fastness and a highly scratch- and wear-resistant surface.

### STANDARD LUXACOTE® PAINT COLOURS



0260  
RAL 9010



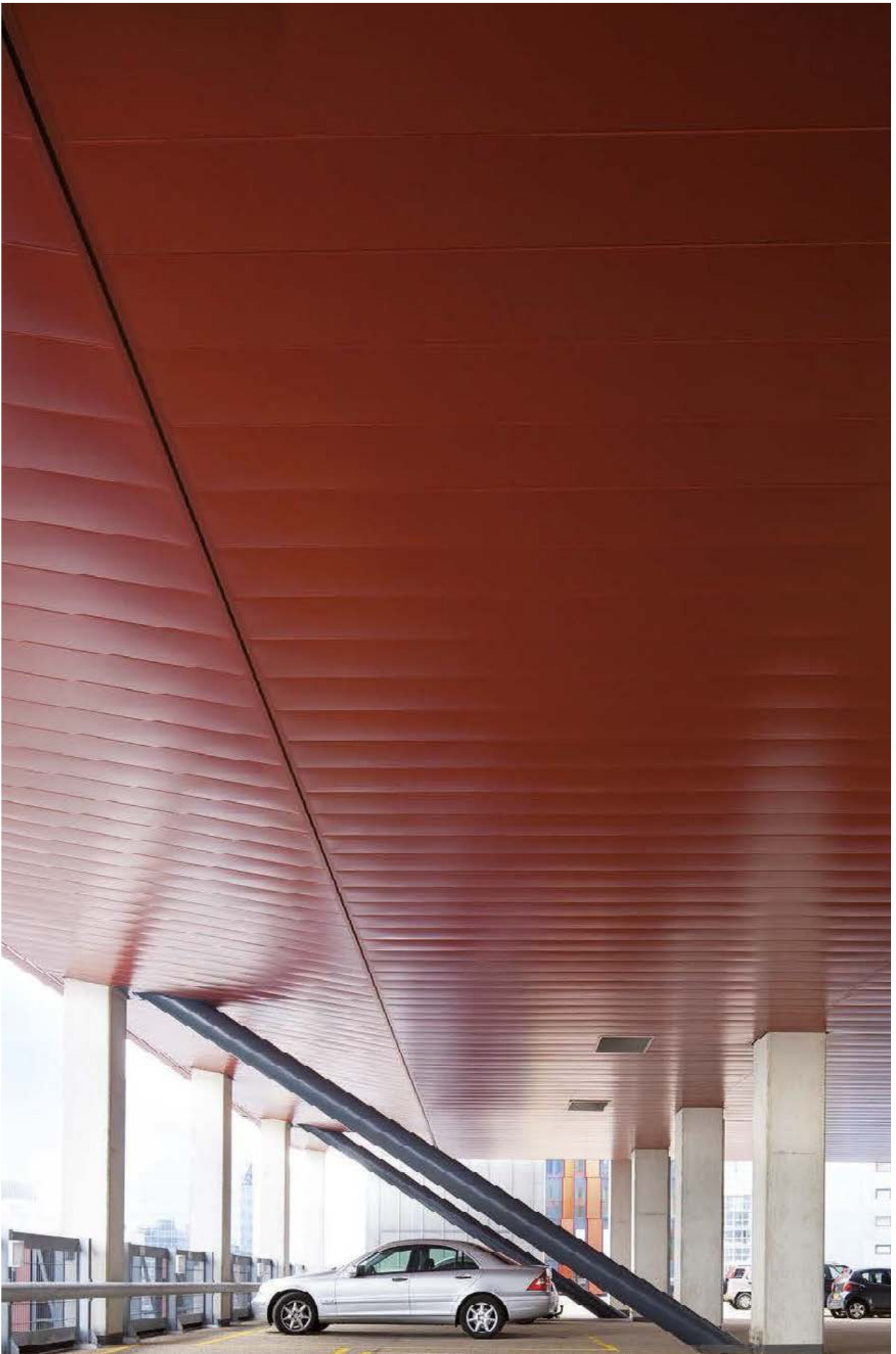
0401  
RAL 9016



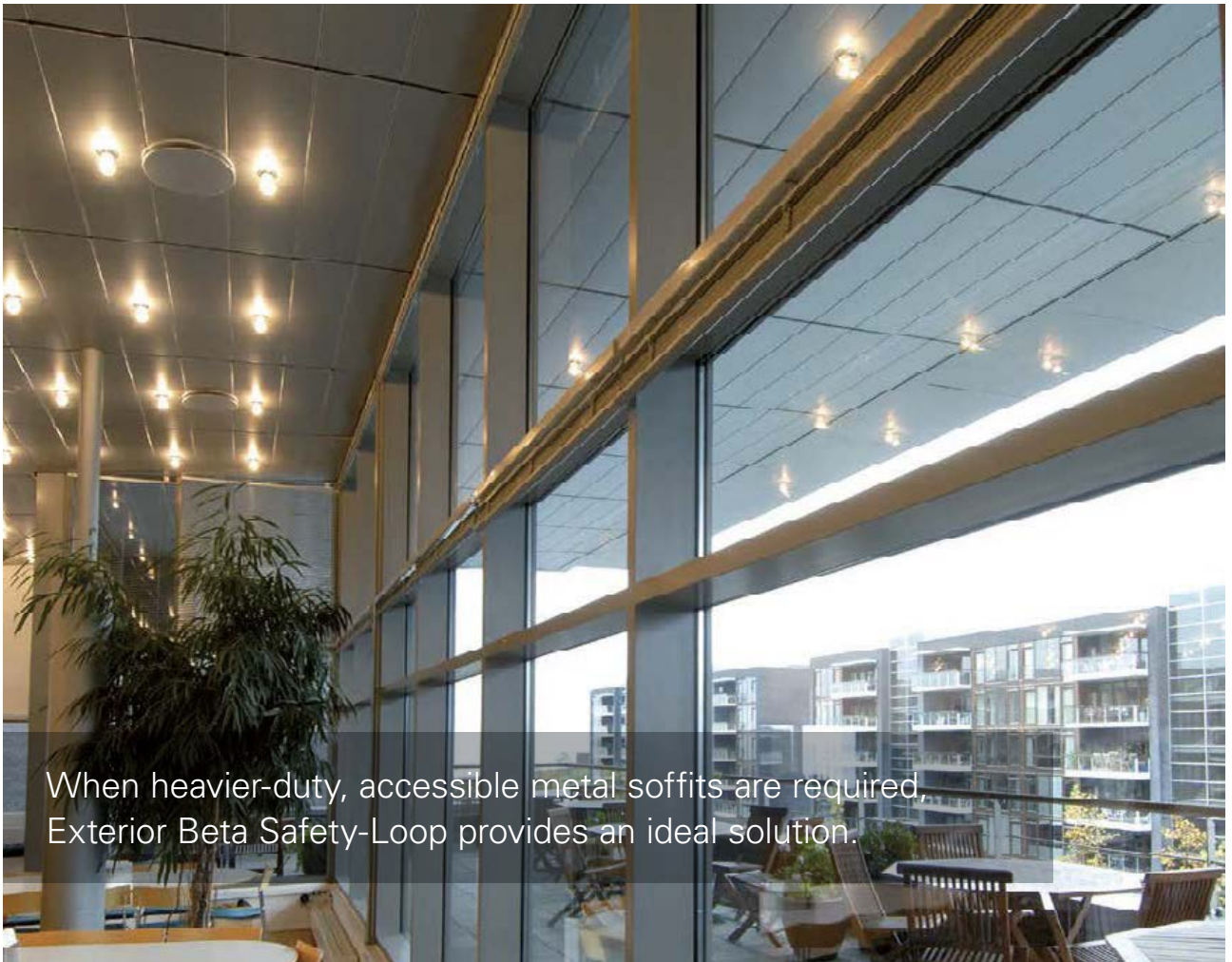
7080  
RAL 9006

### CUSTOM COLOURS





Project: Red Apple, Rotterdam, The Netherlands - Product: Wide Panel 300C/300L Exterior Ceiling - Architect: KCAP Architecten & Planners



When heavier-duty, accessible metal soffits are required, Exterior Beta Safety-Loop provides an ideal solution.

*Project: PA Consult C&H, Copenhagen, Denmark - Product: Planks Beta Safety-Loop - Architect: Perlt&Black a/s C&H*

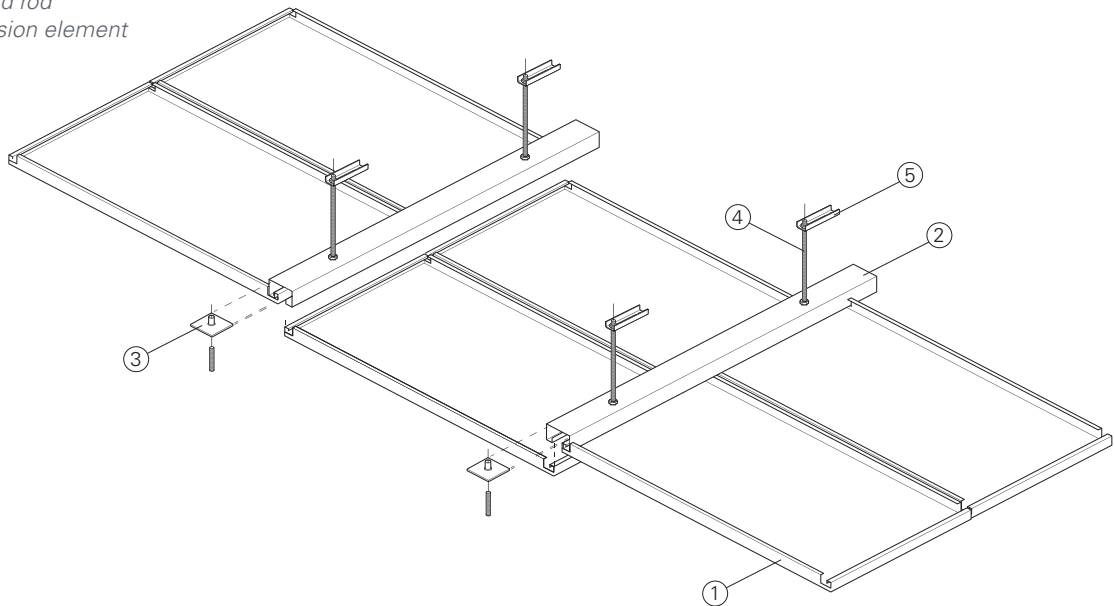
## KEY FEATURES

- Panel sizes:
  - minimum 300 x 520 mm
  - maximum 1050 x 1800 mm
- Square-edge design
- Special safety loop system to provide rigid and accessible construction with wind load resistance
- On site waste reduction with factory fabricated dimensional material
- Downweight: reduce static load with lightweight aluminum
- Easy plenum access



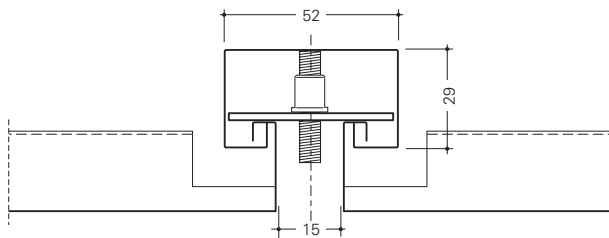
**TYPICAL ISOMETRICS**

- 1 = Hook-On plank
- 2 = Safety-Loop profile
- 3 = Locking plate with screw
- 4 = Threaded rod
- 5 = Suspension element



Spans vary with the applicable wind load

**TYPICAL SECTIONS**



**PERFORATION PATTERNS**



Plain

**PHYSICAL DATA**

- Substrate: Aluminium
- Fire rating: Class A2,s1,d0 (all versions) according EN 13501-1
- Weight: Varies ca 4.5 kg/m<sup>2</sup>
- Light reflectance (LR) Coefficient:
  - Varies with finish
  - HD0260: LR = 0.81
- Wind load: according EN 1991-1-4 and National Annexes

**BIM**

REVIT files available, see website for details.

**LEED V4 CREDITS**

- EA : Optimise Energy Performance
- MR: Building Product Disclosure
- EQ : Low-Emitting Materials
- EQ : Daylight

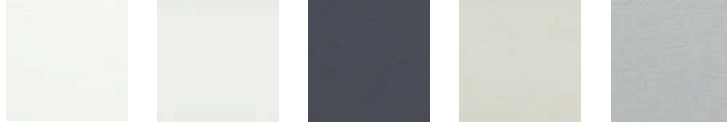
**CERTIFICATIONS**

- ISO 9001
- ISO 14001
- TAIM QS
- French VOC Regulation Class A+
- EPD: Available upon request
- Wind load resistance

**COLOURS AND FINISHES**

Hunter Douglas offers a wide choice of colours and finishes. Custom colour matching is available upon request. Please contact your local Hunter Douglas sales office for minimum quantities and lead times. See website for the most up to date information. Colours are for illustration purposes only.

**STANDARD PAINT COLOURS**



0260 RAL 9010    0401 RAL 9016    1660 RAL 7015    7035 RAL 9007    7080 RAL 9006

**CUSTOM COLOURS**



**DECORATED WOOD-LOOK OPTIONS**

Powder-coat paint finish (interior and exterior). Formaldehyde-free, Class A composite panel. This finish is recommended for exterior conditions.



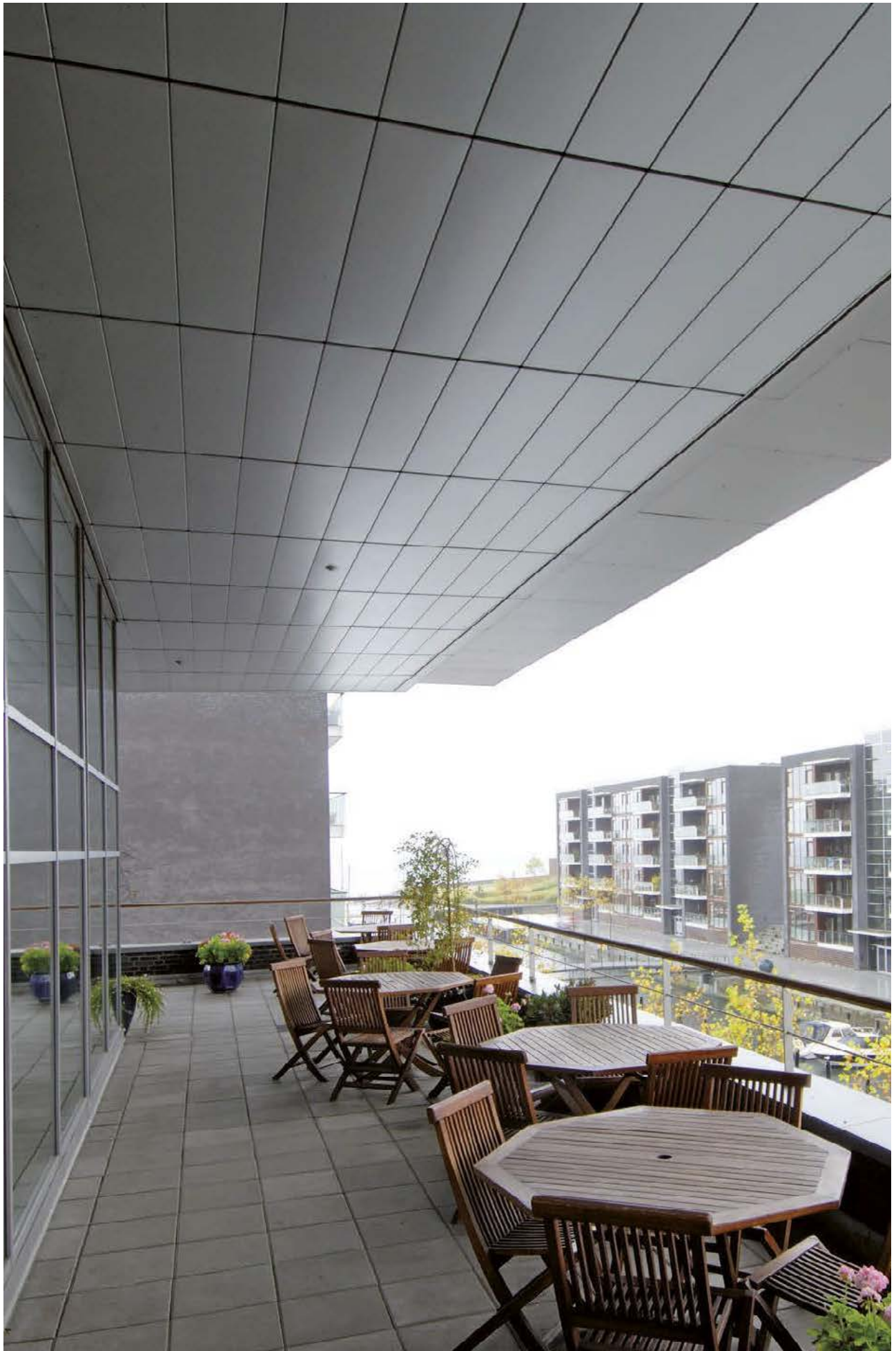
Fonthill Cherry 8426    Walnut 8424    Amber Bamboo 8435    African Wenge 8944    Grey Barnwood Cedar 8437    Golden Douglas Fir 8436    American Oak 8439    Cajun Cypress 8442



Swamp Cypress 8444    Clipper Teak 8446    Windjammer Teak 8449    Douglas Fir 8452    Anigre 8453    Farm Maple 8458    Caravel Teak 8460    Regatta Teak 8461

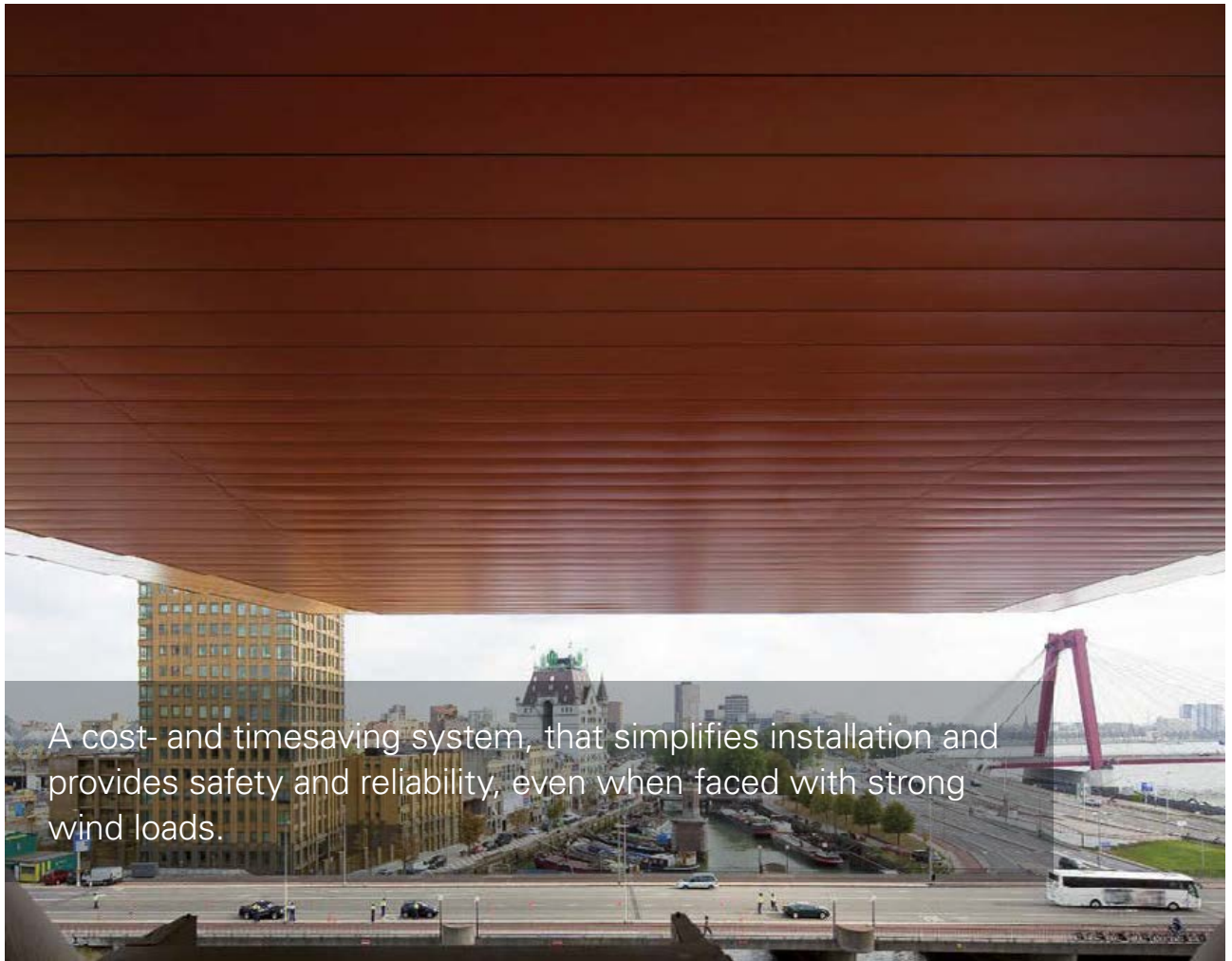


Summer Maple 8465    Terrace Maple 8466    Red River Pecan 8467    Bayou Pecan 8468    Northwest Mountain Hemlock 8489    Whitewash 8498    Rustic Cherry 8939    Cherry 8942



Project: PA Consult C&H, Copenhagen, Denmark - Product: Planks Beta Safety-Loop - Architect: Perlt&Black a/s C&H





A cost- and timesaving system, that simplifies installation and provides safety and reliability, even when faced with strong wind loads.

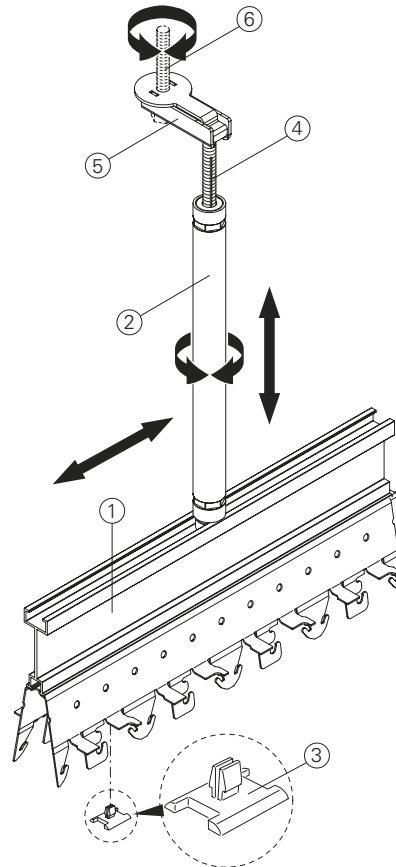
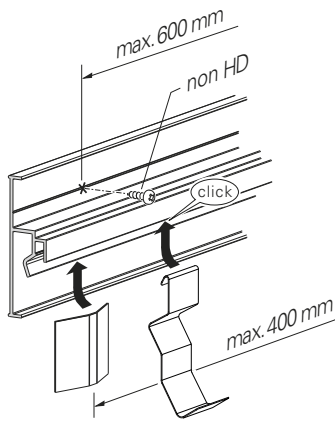
*Project: Red Apple, Rotterdam, The Netherlands - Product: Suspension system Profix™ - Architect: KCAP Architecten & Planners*

## KEY FEATURES

- Corrosion resistant construction for enhanced durability
- Applicable with all standard carriers
- Suspension heights 150 - 1250 mm
- adjustable to allow for site tolerances
- Tested on loading capabilities
- Special edge trim construction for easy plenum access
- On site waste reduction with factory fabricated dimensional material
- Downweight: reduce static load with lightweight aluminum

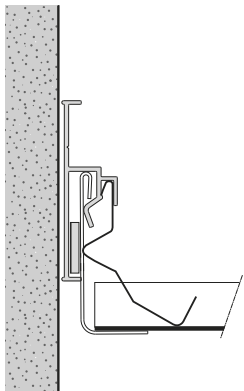
### TYPICAL ISOMETRICS

- 1 = Reinforcement
- 2 = Hanger
- 3 = Screw washer
- 4 = Threaded rod
- 5 = Top fixing
- 6 = Non-HD



Spans vary with the applicable wind load

### TYPICAL SECTIONS



### PHYSICAL DATA

**Substrate:** Aluminium and galvanized steel  
**Fire rating:** Class A1 according EN 13501-1  
**Wind load:** according EN 1991-1-4 and National Annexes

**BIM**  
 REVIT files available, see website for details.

### LEED V4 CREDITS

EA : Optimise Energy Performance  
 MR: Building Product Disclosure  
 EQ : Low-Emitting Materials  
 EQ : Daylight

### CERTIFICATIONS

ISO 9001  
 ISO 14001  
 TAIM Certified  
 French VOC Regulation Class A+  
 Wind load resistance



Project: NHL Hogeschool, Leeuwarden, The Netherlands  
Product: Veneered Wood Wall and Ceiling Tiles, Okoume veneer  
Architect: Herman Hertzberger



# WALL SYSTEMS

With a 50 year legacy of product innovation,  
our wall systems lead in design, function  
and sustainability.







Project: Cristalia 4B, Madrid, Spain  
Architect: Rafael de la Hoz  
Product: Wall systems





Project: Amity University, Dubai, United Arab Emirates  
Architect: IR Design  
Product: Veneered Wood Ceiling and Wall tiles, Cherry



Project: eclipsLife, Amstelveen, The Netherlands  
Architect: M3 Interieur  
Product: HeartFelt® Linear Wall systems

# WALL SYSTEMS

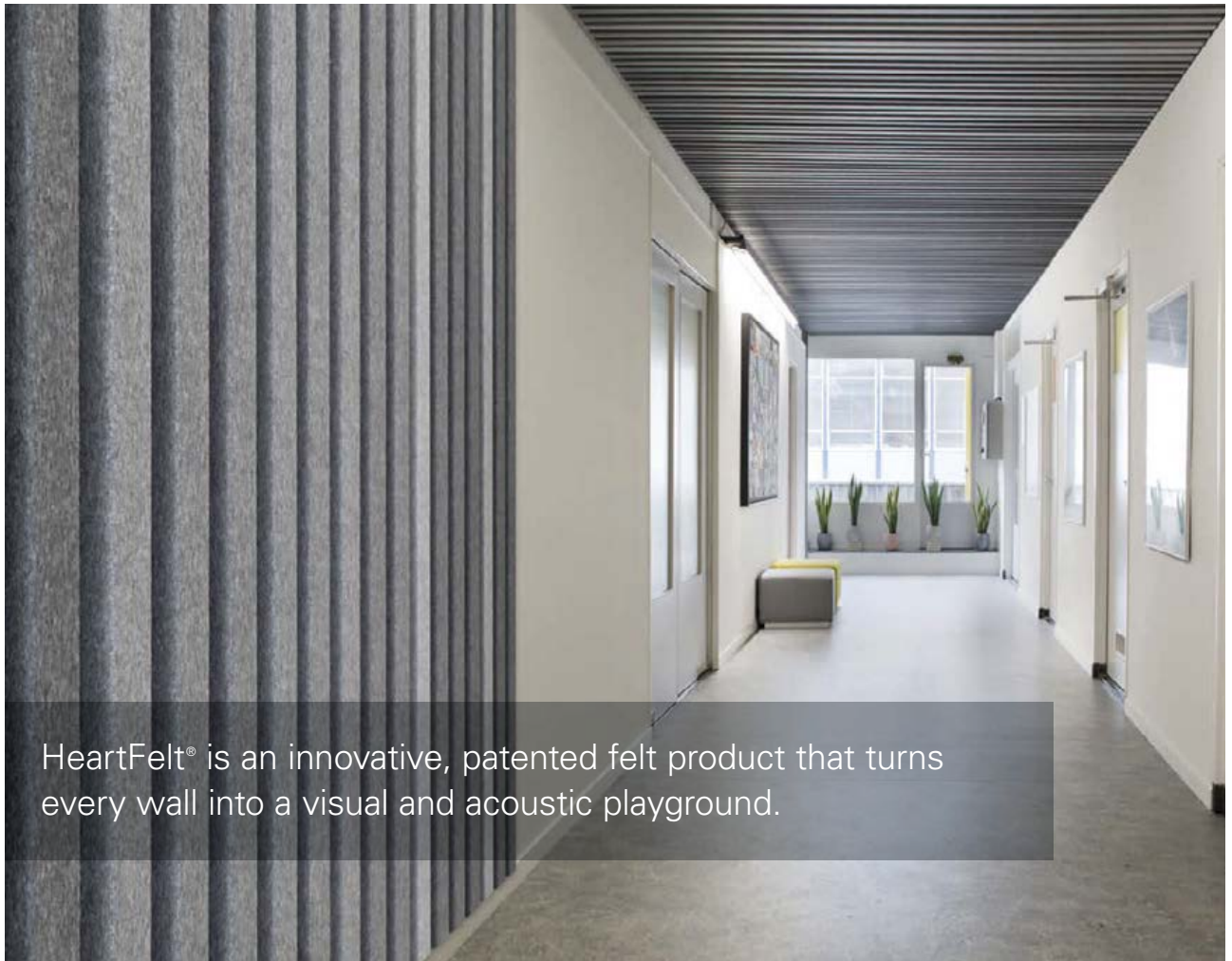
HEARTFELT® LINEAR 296

SOLID WOOD GRILL AND LINEAR 300

VENEERED WOOD GRILL AND LINEAR 304

VENEERED WOOD TILES AND TOPLINE® 308





HeartFelt® is an innovative, patented felt product that turns every wall into a visual and acoustic playground.

*Project: Corporate Office, The Netherlands - Product: HeartFelt® Linear Wall systems*

## KEY FEATURES

- Modular wall system with felt panels
- Panel dimensions 40 x 55 mm
- Panel length 1000 to 6000 mm
- Six standard carrier modules to vary reveal (M50-M100) for acoustics and aesthetics
- Easy wall cavity access
- Interior applications
- Compatible with industry standard lighting, HVAC, speaker, fire safety, and security services

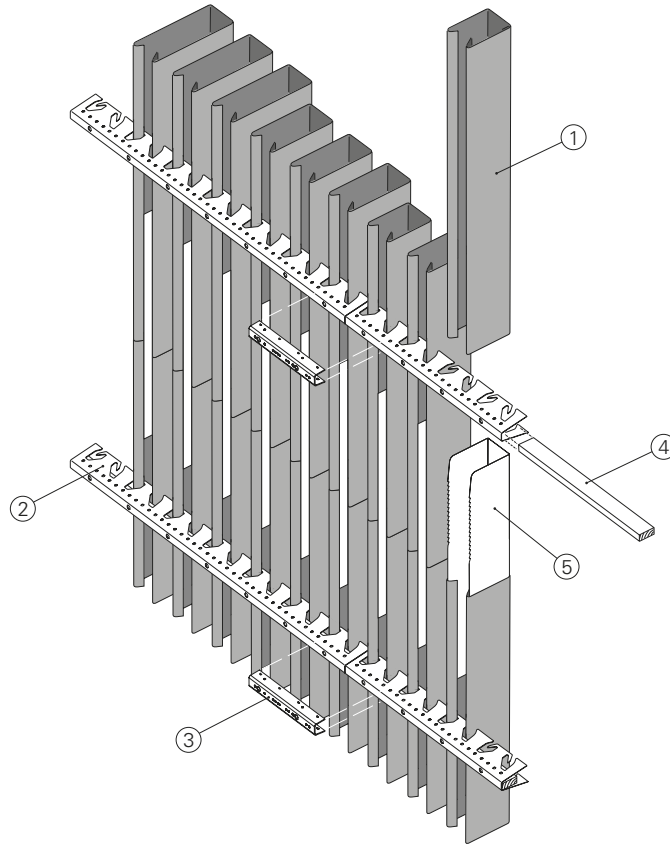


reddot award 2017  
best of the best



## TYPICAL ISOMETRICS

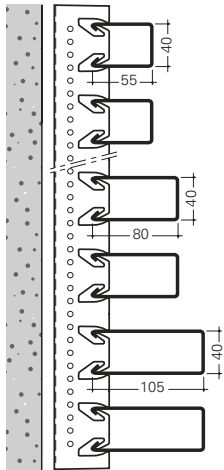
- 1 = HeartFelt® Panel
- 2 = Carrier
- 3 = Carrier splice
- 4 = Locking profile
- 5 = Panel Splice



Maximum panel span 800 mm,  
maximum panel cantilever 150 mm

maximum carrier span 750 mm,  
maximum carrier cantilever 300 mm

## TYPICAL HORIZONTAL SECTION



## PHYSICAL DATA

**Substrate:** Non-woven thermo-formable PES fibers  
**Fire rating:** Class B,s1,d0 according EN 13501-1  
**Weight:** 4.6 kg/m<sup>2</sup> (M50) - 3.5 kg/m<sup>2</sup> (M100)  
**Light reflectance:** Varies with colour selected  
**Exposure Class** A and B according EN 13964

## LEED V4 CREDITS

MR : Building Product Disclosure  
 EQ : Low-Emitting Materials  
 EQ : Indoor Air Quality Assessment  
 EQ : Acoustic Performance

## CERTIFICATIONS

Indoor Air Comfort Gold  
 French VOC Regulation Class A+  
 Cradle-to-Cradle Bronze  
 Oekotex Standard 100 Class IV  
 SundaHus Miljödata Class A  
 GreenGuard Gold

## COLOURS

Colors are for illustration purposes only.

### SHADES OF GREY



White  
7593



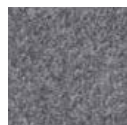
Off-White  
7595



Light Grey  
7596



Middle Grey  
7597



Dark Grey  
7598



Anthracite  
7599

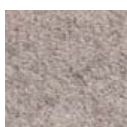


Black  
7594

### EARTH TONES



Creme  
7575



Light Brown  
7576



Medium Brown  
7577



Dark Brown  
7578

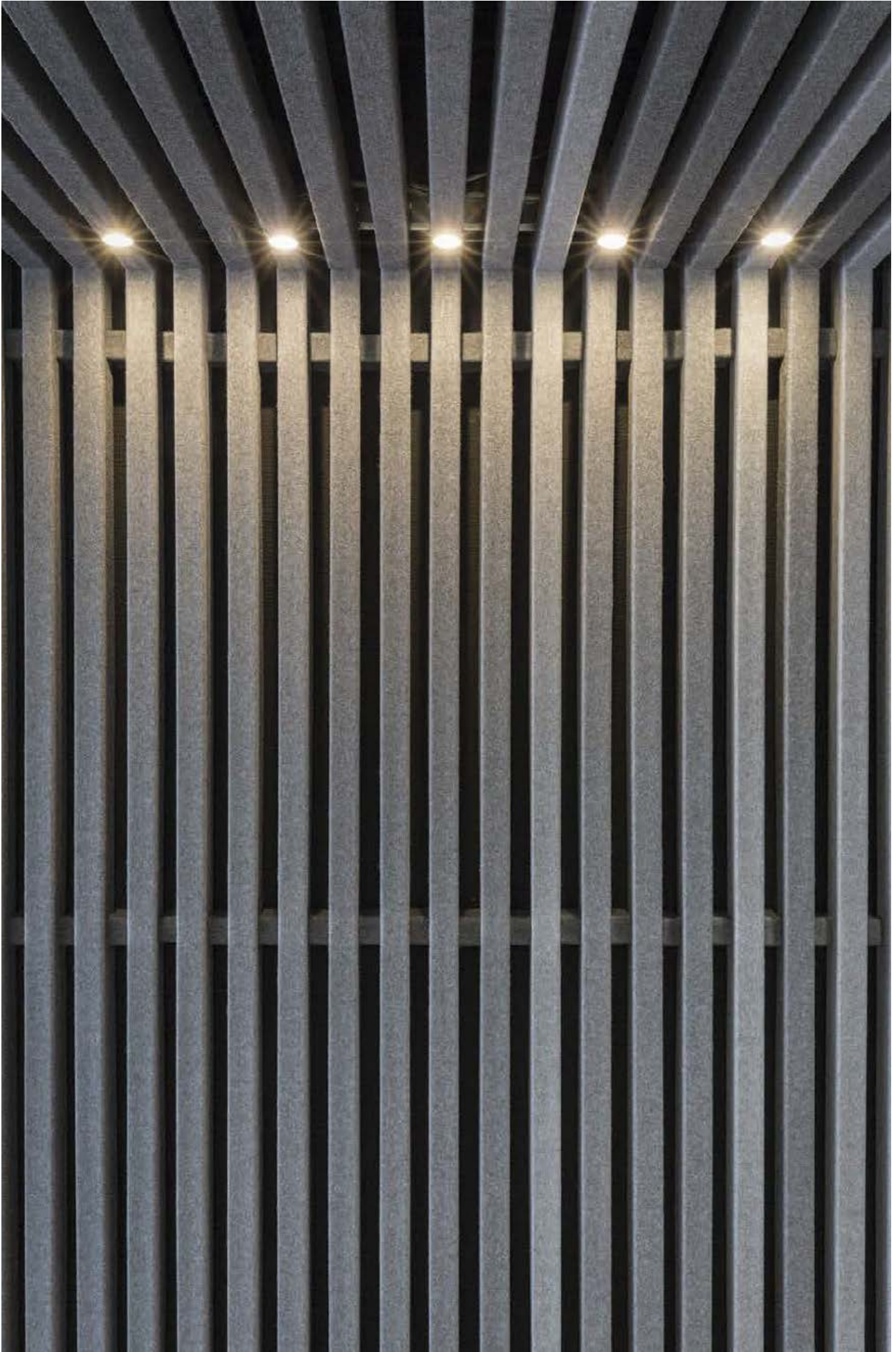


Umber  
7579

## ACOUSTICAL RATINGS - $\alpha_w$

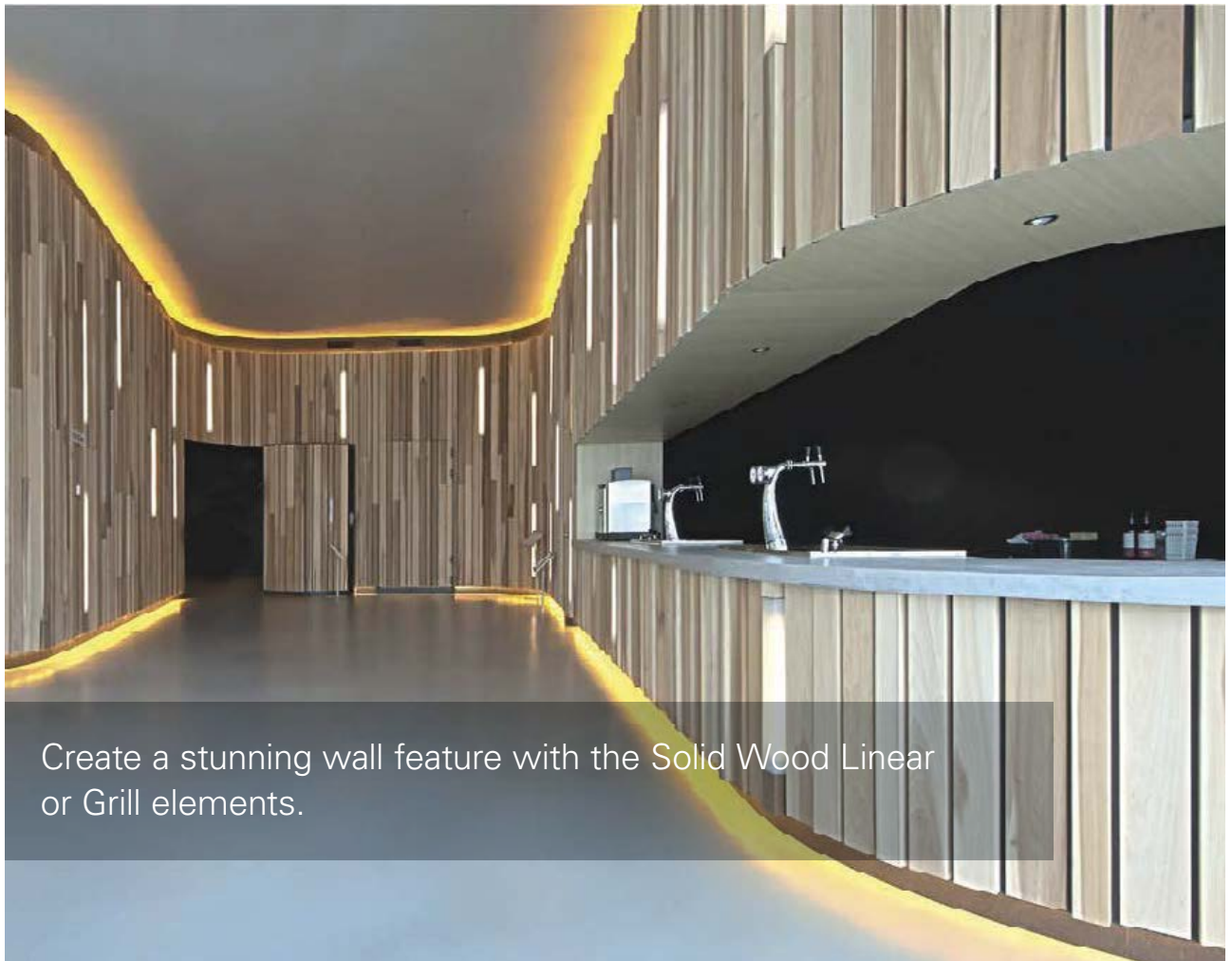
Module (mm)	Joints (mm)	Openness %	$\alpha_w$
M50	10	20%	0.70 (H)
M60	20	33%	0.65 (H)
M70	30	43%	0.60 (H)
M70*	30	43%	1.00 (H)
M80	40	50%	0.50 (H)
M90	50	55%	0.45 (H)
M100	60	60%	0.45 (H)

\* Ceiling panels covered with mineral wool tiles or PES acoustical tiles.



*Project: Corporate Office, The Netherlands - Product: HeartFelt® Linear Wall systems*





Create a stunning wall feature with the Solid Wood Linear or Grill elements.

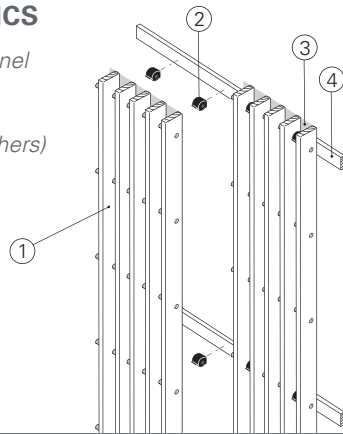
*Project: Theatre and Arts Center de Kom, Nieuwegein, The Netherlands - Product: Solid Wood Linear Wall in multiple dimensions, American Yellow Poplar - Architect: de Architekten Cie.*

## KEY FEATURES

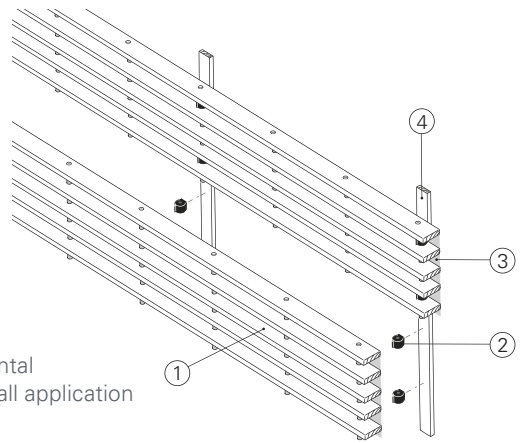
- Interior applications
- Various Grill dimensions:  
Width: 20 mm  
Lengths up to 2500 mm  
Height: 35 - 120 mm  
Joint width: 25 - 150 mm
- Various Linear dimensions:  
Width: 63 - 68 - 70 - 83 - 92 - 110 - 116 mm  
Lengths up to 2500 mm  
Thickness: 15 mm  
Joint width: 12 - 13 - 15 - 19 mm
- Variety of 20+ wood species, FSC or PEFC certified
- Optionally supplied with acoustic tissue
- Clear and coloured stains available
- Curved and undulating shapes possible
- Compatible with industry standard lighting, HVAC, speaker, fire safety and security services

**TYPICAL ISOMETRICS**

- 1 = Solid Wood Grill panel
- 2 = Wall clip
- 3 = Acoustic tissue
- 4 = Substructure (by others)

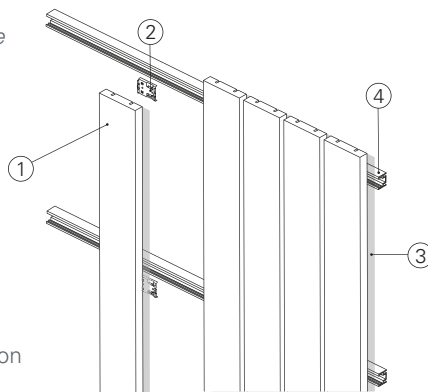


Vertical Grill wall application

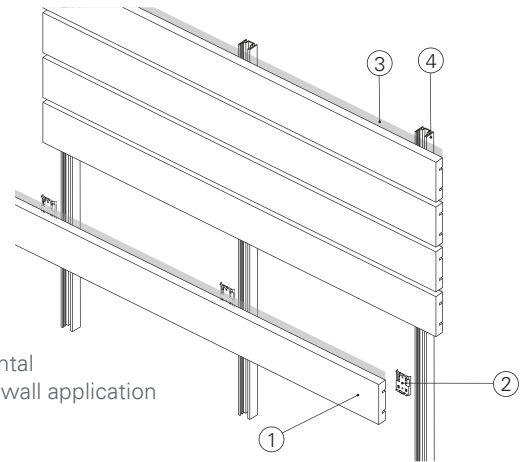


Horizontal Grill wall application

- 1 = Solid Wood Linear panel
- 2 = Wall clip
- 3 = Acoustic tissue
- 4 = SLR profile

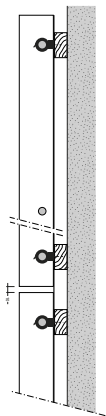


Vertical Linear wall application

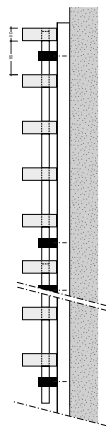


Horizontal Linear wall application

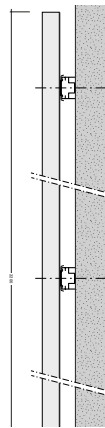
**TYPICAL SECTIONS**



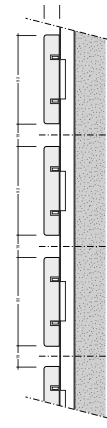
Vertical Grill wall application



Horizontal Grill wall application



Vertical Linear wall application



Horizontal Linear wall application

**PHYSICAL DATA**

Fire rating: B,s2,d0 (according to 13501-1),  
depending on wood specie and treatment  
Acoustic ratings:  $\alpha_w$  0.30 - 0.50  
(according to ISO 11654). See page 353  
Weight: 5.0 - 12.0 kg/m<sup>2</sup> (M100)  
VOC Emission: Class A+ (according to ISO 16000-9)

**LEED V4 CREDITS**

EA : Optimise Energy Performance  
EQ : Low-Emitting Materials  
EQ : Indoor Air Quality Assessment  
EQ : Acoustic Performance

**CERTIFICATIONS**

FSC  
PEFC  
Cradle-to-cradle (C2C) Silver

**COLOURS AND FINISHES**

Hunter Douglas offers a wide choice of colours, wood species and finishes. Coloured stains can be added to match custom colours. See website for the most up to date information. The wood images are for illustration purposes only.

**WOOD SPECIES**



Accoya



American White Oak



Siberian Larch



African Ayous



Yellow Poplar



American Ash



European Oak



American Red Oak



European Pine



Cherry



Oregon Pine



Cambara



Merbau



Mahogany



Western Red Cedar



American Walnut

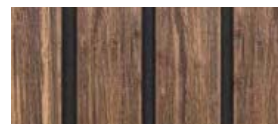
**BAMBOO**



Bamboo SP Natural



Bamboo SP Caramel

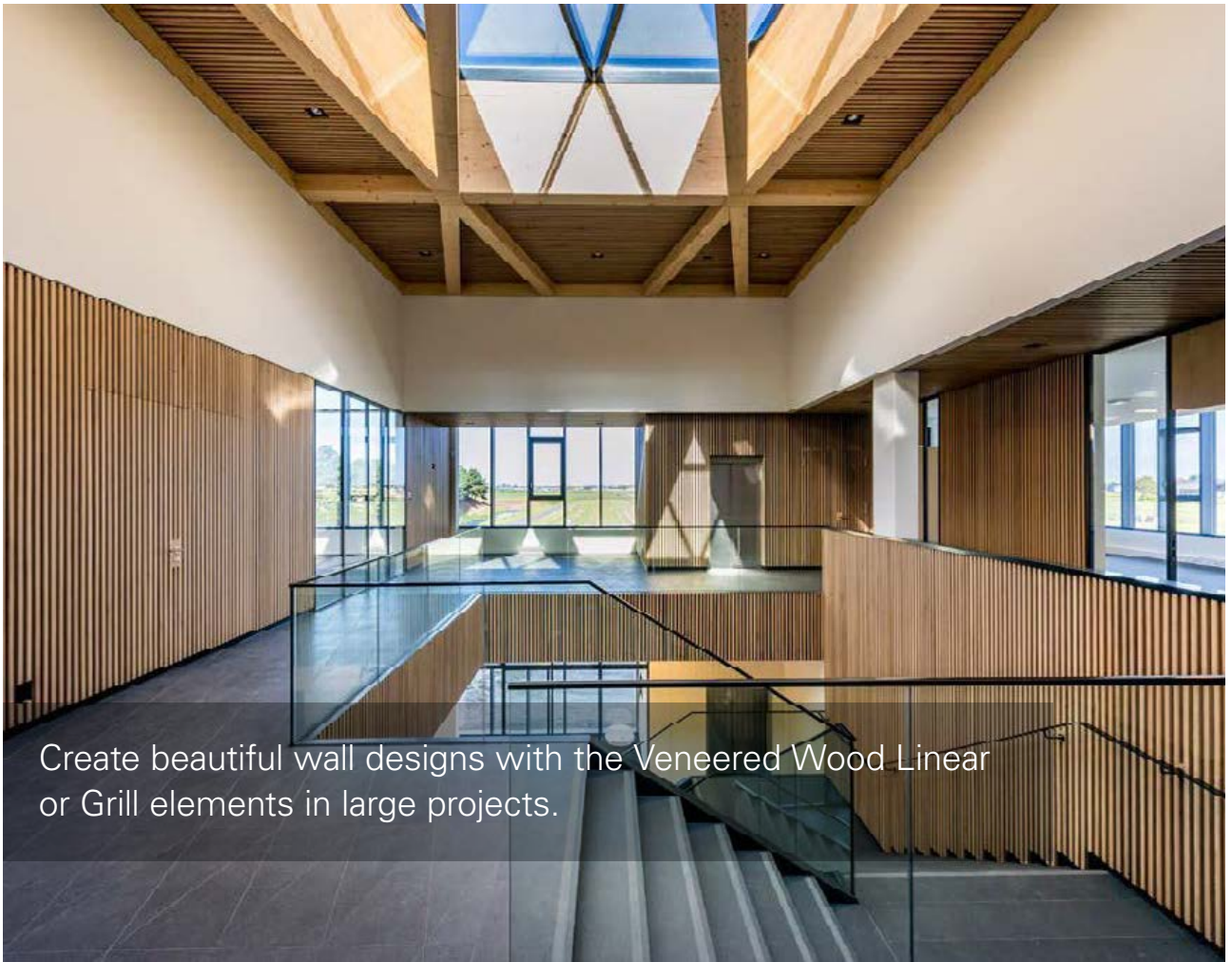


Bamboo DT Caramel





Project: NAC, Houthalen-Helchteren, Belgium - Product: Solid Wood Grill, FSC American Red Oak - Architect: Holistic Architecture 5015



Create beautiful wall designs with the Veneered Wood Linear or Grill elements in large projects.

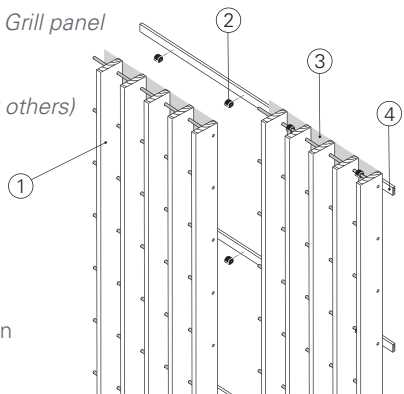
*Project: De Keukenhof, Lisse, The Netherlands - Product: Veneered Wood Grill, European Oak - Architect: Mecanoo Architects*

## KEY FEATURES

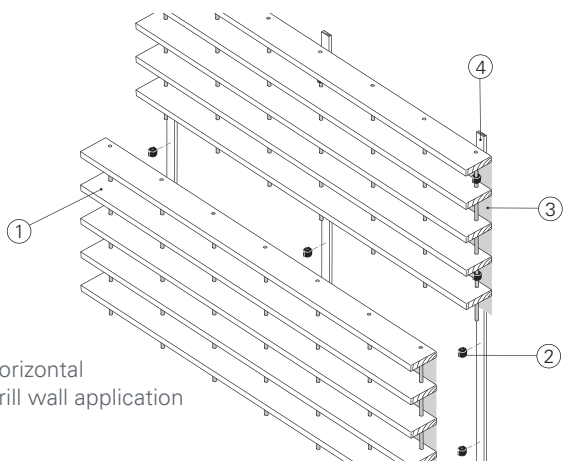
- Interior applications
- Various Grill dimensions:  
Width: 17 - 20 - 26 - 31 mm  
Lengths up to 2700 mm  
Height: 65 - 150 mm  
Joint width: 50 - 150 mm
- Various Linear dimensions:  
Width: 65 - 90 - 120 - 150 - 200 - 230 mm  
Lengths up to 2700 mm  
Thickness: 17 or 20 mm  
Joint width: 5 - 10 - 15 - 20 - 30 mm
- Available as pre-assembled elements or individual Linear panels
- Variety of organic or engineered wood veneers, FSC or PEFC certified
- Optionally supplied with acoustic tissue
- Clear and coloured stains available
- Curved and undulating shapes possible
- Demountable solutions available
- Compatible with industry standard lighting, HVAC, speaker, fire safety and security services

**TYPICAL ISOMETRICS**

- 1 = Veneered Wood Grill panel
- 2 = Wall clip
- 3 = Acoustic tissue
- 4 = Substructure (by others)

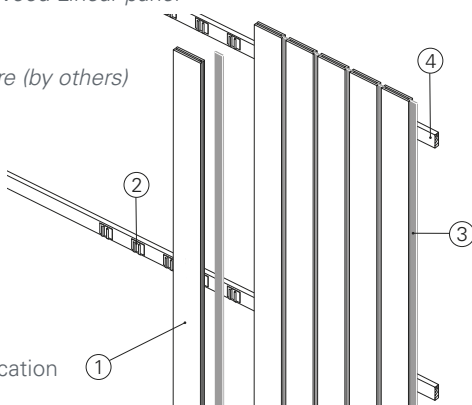


Vertical Grill wall application

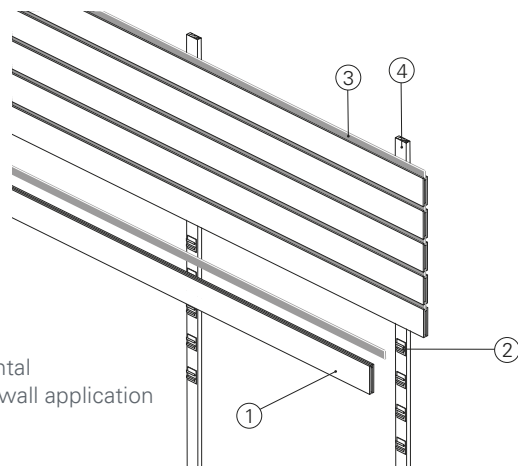


Horizontal Grill wall application

- 1 = Veneered Wood Linear panel
- 2 = Wall clip
- 3 = Joint filling
- 4 = Substructure (by others)

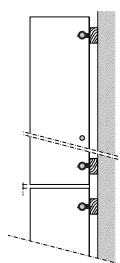


Vertical Linear wall application

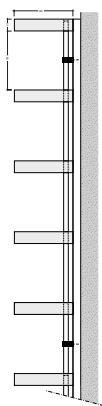


Horizontal Linear wall application

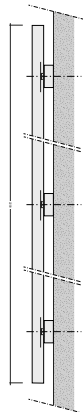
**TYPICAL SECTIONS**



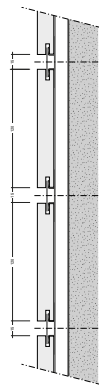
Vertical Grill wall application



Horizontal Grill wall application



Vertical Linear wall application



Horizontal Linear wall application

**PHYSICAL DATA**

Acoustic rating:  $\alpha_w$  0.50  
 Weight: 10.0 - 15.0 kg/m<sup>2</sup>

**LEED V4 CREDITS**

- EA : Optimise Energy Performance
- EQ : Low-Emitting Materials
- EQ : Indoor Air Quality Management
- EQ : Acoustic Performance

**CERTIFICATIONS**

- FSC
- PEFC

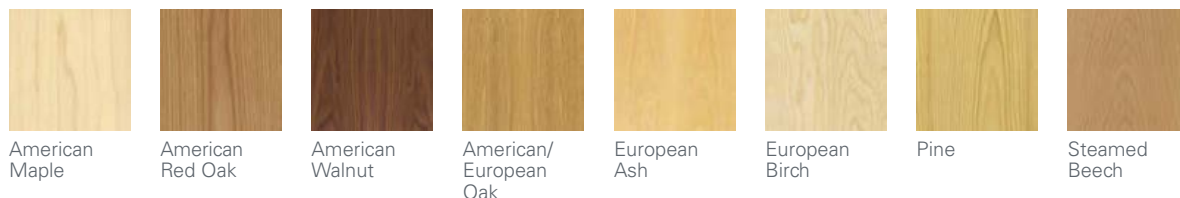


**COLOURS AND FINISHES**

Hunter Douglas offers a wide choice of wood species and finishes. Coloured stains can be applied to match custom colours or existing building elements. See our website for the most up to date information. The images are for illustration purposes only.

**ORGANIC VENEERS**

Organic veneer is a natural material sliced from tree logs without alterations or enhancements. This veneer types shows all the characteristics and intrinsic patterns of the tree, caused by the natural influences during his lifetime, making each veneer unique.



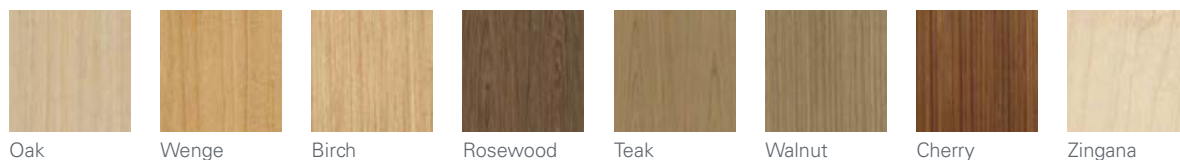
**ORGANIC DYED VENEERS**

Organic dyed veneer is a completely natural veneer, dyed to create a unique, uniform colour.



**ENGINEERED VENEERS**

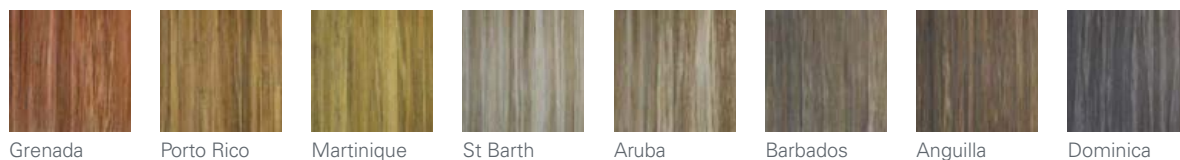
Engineered veneer is a natural material, processed to create a specific predesigned appearance. The veneer patterns create a more consistent and uniform appearance.



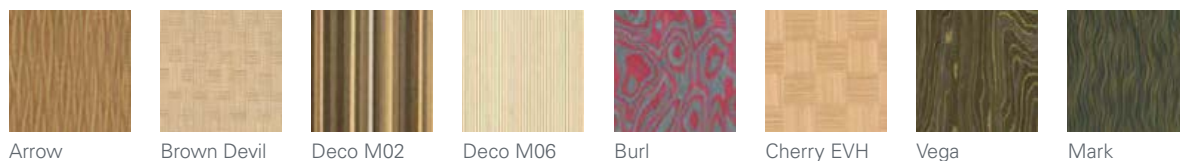
**SPECIALS**

A high variety of special veneers and top layers are available.

**Banana trunk veneers**



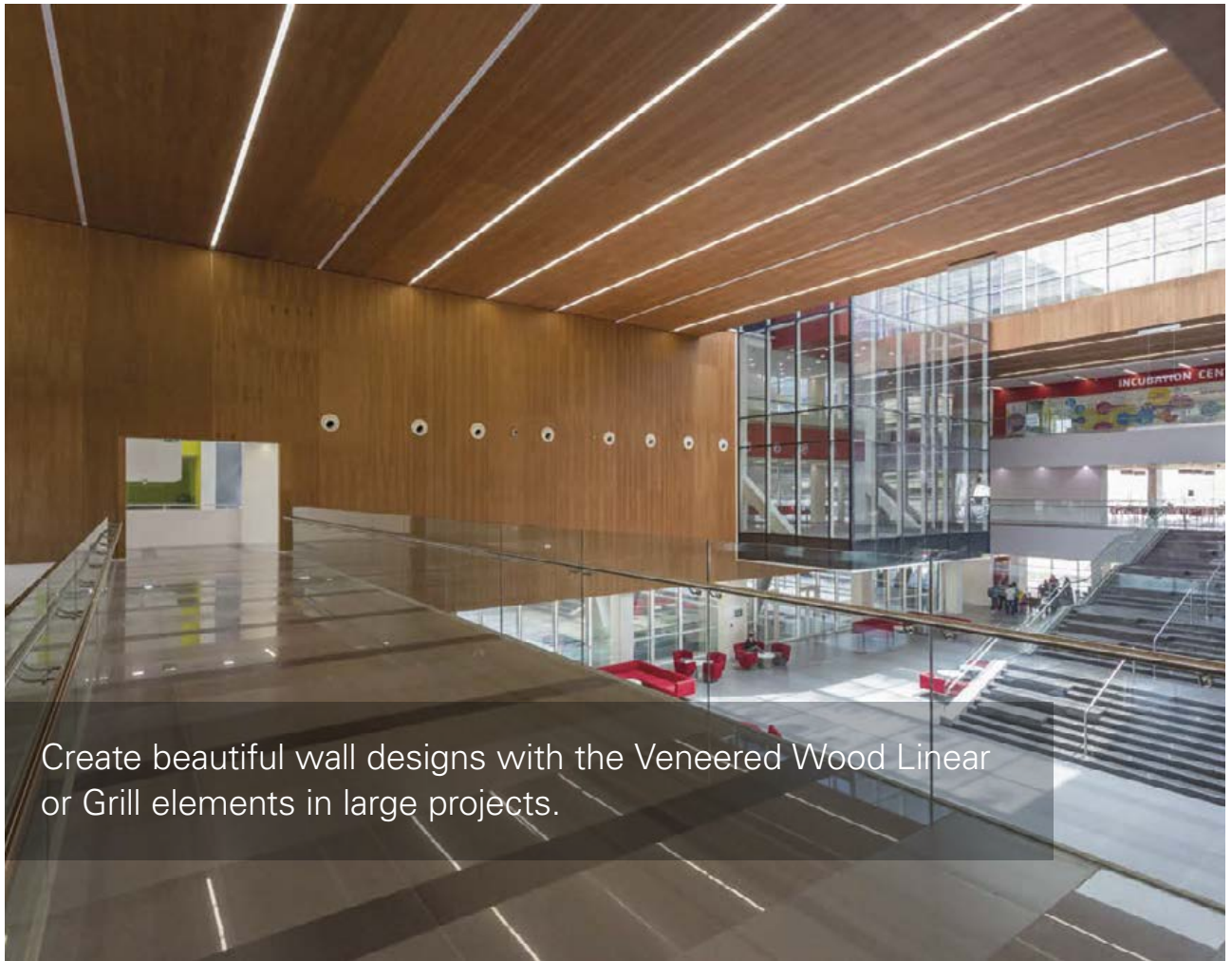
**Engineered special veneers**



- Other finishes such as HPL, melamine or handsprayed RAL colours are available upon request. Please refer to our website for the latest product range.



Project: Smart Campus, Heerlen, The Netherlands - Veneered Wood Ceiling and Wall System, Bamboo Caramel - Architect: Van Eijk en van der Lubbe



Create beautiful wall designs with the Veneered Wood Linear or Grill elements in large projects.

*Project: Amity University Dubai, UAE - Product: Veneered Wood Ceiling and Wall Topline®, American Cherry, Nano perforation - Architect: cannondesign*

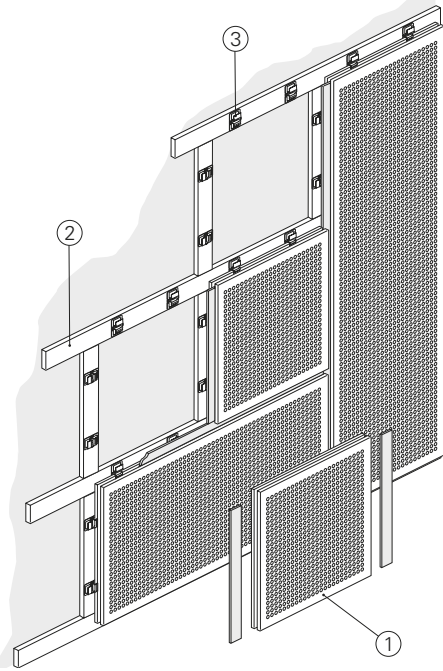
## KEY FEATURES

- Interior applications
- Tile sizes: 300/600/900/1200 x max. 1200 mm, other sizes available upon request
- Topline® panel sizes: 128/262 x 2050/2780 mm
- Available as pre-assembled elements or individual Linear panels
- Variety of organic or engineered wood veneers, FSC or PEFC certified
- Optionally supplied with acoustic tissue
- Clear and coloured stains available
- Curved and undulating shapes possible
- Demountable solutions available
- Compatible with industry standard lighting, HVAC, speaker, fire safety and security services



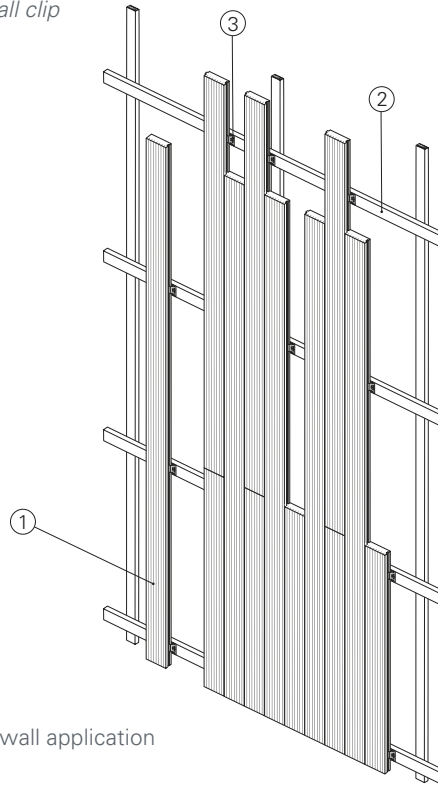
**TYPICAL ISOMETRICS**

- 1 = Veneered Wood Tile
- 2 = Wooden substructure (by others)
- 3 = Wall clip



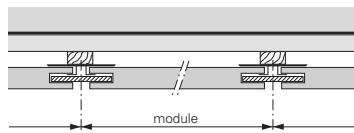
Tiles wall application

- 1 = Topline® Panel
- 2 = Wooden substructure (by others)
- 3 = Wall clip

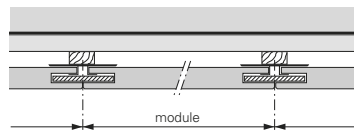


Topline wall application

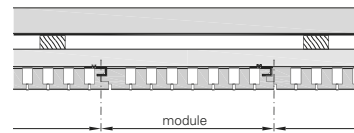
**TYPICAL SECTIONS**



Standard Tiles / Linear



Trend Tiles



Topline®

**PHYSICAL DATA**

depending on wood specie and treatment  
 Acoustic rating: up to  $\alpha_w$  0.50  
 Weight: 11.0 - 13.0 kg/m<sup>2</sup>

**LEED V4 CREDITS**

- EA : Optimise Energy Performance
- EQ : Low-Emitting Materials
- EQ : Indoor Air Quality Management
- EQ : Acoustic Performance

**CERTIFICATIONS**

- FSC
- PEFC

## COLOURS AND FINISHES

Hunter Douglas offers a wide choice of wood species and finishes. Coloured stains can be applied to match custom colours or existing building elements. See our website for the most up to date information. The images are for illustration purposes only.

### ORGANIC VENEERS

Organic veneer is a natural material sliced from tree logs without alterations or enhancements. This veneer types shows all the characteristics and intrinsic patterns of the tree, caused by the natural influences during his lifetime, making each veneer unique.



American Maple    American Red Oak    American Walnut    American/European Oak    European Ash    European Birch    Pine    Steamed Beech

### ORGANIC DYED VENEERS

Organic dyed veneer is a completely natural veneer, dyed to create a unique, uniform colour.



Ash BF 001    Ash BF 002    Ash BF 049    Ash BF050    Birch BG 046    Birds Eye Maple E 069    Bolivar EB 064    Walnut EA193

### ENGINEERED VENEERS

Engineered veneer is a natural material, processed to create a specific predesigned appearance. The veneer patterns create a more consistent and uniform appearance.



Oak    Wenge    Birch    Rosewood    Teak    Walnut    Cherry    Zingana

### SPECIALS

A high variety of special veneers and top layers are available.

#### Banana trunk veneers



Grenada    Porto Rico    Martinique    St Barth    Aruba    Barbados    Anguilla    Dominica

#### Engineered special veneers



Arrow    Brown Devil    Deco M02    Deco M06    Burl    Cherry EVH    Vega    Mark

- Other finishes such as HPL, melamine or handsprayed RAL colours are available upon request. Please refer to our website for the latest product range.



Project: Arcus College Heerlen, The Netherlands - Product: Topline® TTA 28/4 RAL wit - Architect: IAA Architecten





Project: Amity University Dubai, UAE - Product: Veneered Wood Ceiling and Wall Topline®, American Cherry, Nano perforation - Architect: cannondesign







Project: Freizeitbad Calivornia, Leverkusen, Germany  
Architect: Foest Architektur, Leverkusen  
Product: Sports Ceiling



# SPORTS CEILINGS

Our ceiling systems for sports halls combines quality with a specific appearance. The ceilings can withstand direct impact from balls used for indoor sports.









Project: O.L.V. van Lourdescollege, Edegem, België  
Architect: René Van Steenberghe  
Product: Sports Ceiling





Project: Ronald Mc Donald Centre, Amsterdam, The Netherlands  
Architect: FACT Architects  
Product: Sports Ceiling





Project: Mahler 4, Amsterdam, the Netherlands  
Architect: De Architecten Cie.  
Product: Sports Ceiling

# SPORTS CEILINGS

SOLID WOOD LINEAR 320

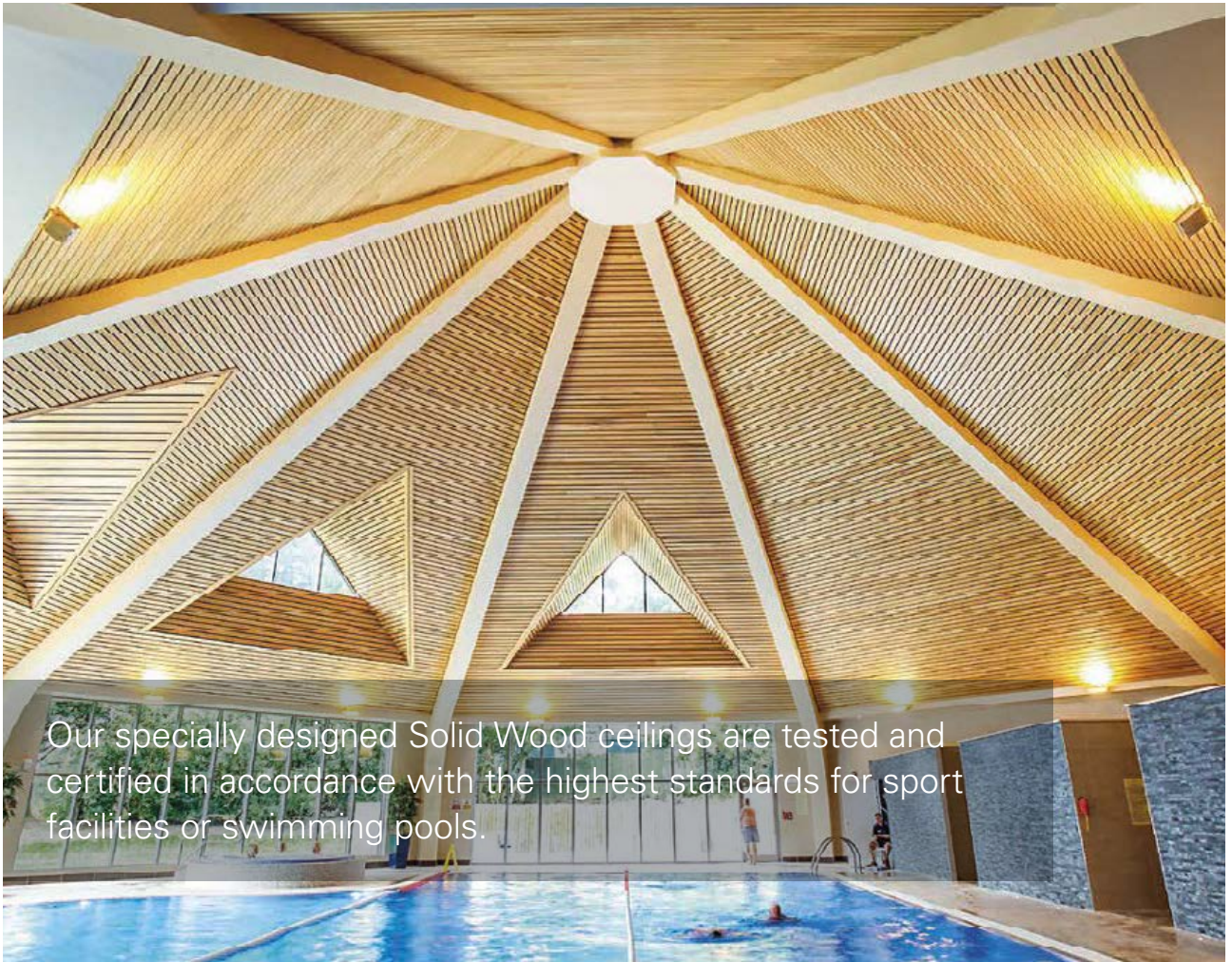
VENEERED WOOD LINEAR 324

70U 328

BETA SAFETY LOOP 332

GAMMA 336





Our specially designed Solid Wood ceilings are tested and certified in accordance with the highest standards for sport facilities or swimming pools.

*Project: Kenwick Park Hotel, Louth, Lincolnshire, United Kingdom - Product: Solid Wood Linear - Architect: Franklin Ellis Architects*

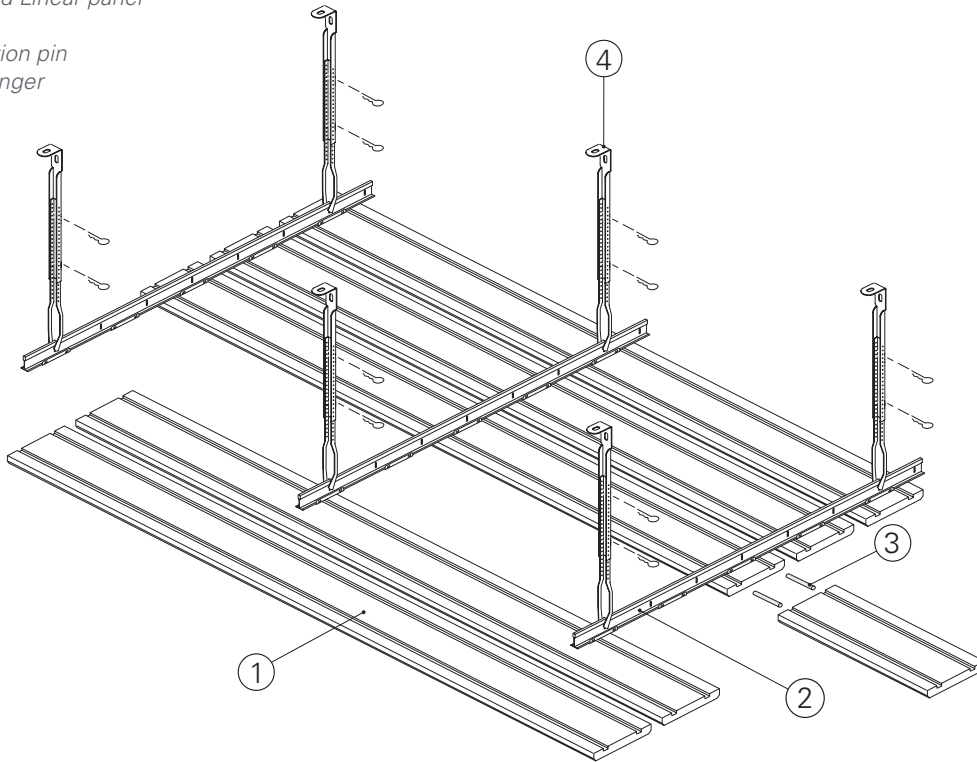
## KEY FEATURES

- Sport hall applications, certified according to DIN 18032 Part 3 and EN 13964 Annex D
- Panel width: 116 mm
- Lengths up to 2500 mm
- Panel thickness: 15 mm
- Joint width: 19 mm
- Variety of 20+ wood species, FSC or PEFC certified
- Clear and coloured stains available
- Reinforced suspension system
- Compatible with industry standard lighting, HVAC, speaker, fire safety and security services

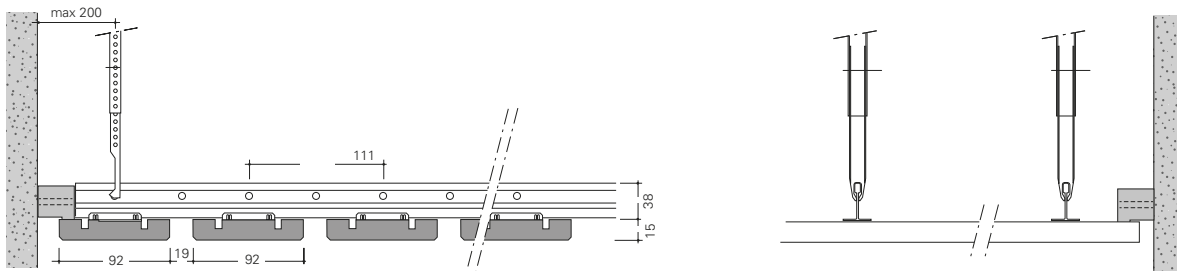


**TYPICAL ISOMETRICS**

- 1 = Solid Wood Linear panel
- 2 = Carrier
- 3 = Panel fixation pin
- 4 = Nonius hanger



**TYPICAL SECTIONS**



**PHYSICAL DATA**

**Fire rating:** B,s2,d0 (according to 13501-1), depending on wood specie and treatment  
**Acoustic ratings:**  $\alpha_w$  0.30 - 0.50 (according to ISO 11654). See page 353  
**Weight:** 5.0 - 8.0 kg per m<sup>2</sup>  
**VOC Emission:** Class A+ (according to ISO 16000-9)

**LEED V4 CREDITS**

- EA : Optimise Energy Performance
- EQ : Low-Emitting Materials
- EQ : Indoor Air Quality Management
- EQ : Acoustic Performance

**CERTIFICATIONS**

- Cradle-to-cradle (C2C) Silver
- FSC
- PEFC
- Ball impact resistance Class 1A

**COLOURS AND FINISHES**

Hunter Douglas offers a wide choice of colours, wood species and finishes. Coloured stains can be added to match custom colours. See website for the most up to date information. The wood images are for illustration purposes only.

**WOOD SPECIES**

Accoya



American White Oak



Siberian Larch



African Ayous



Yellow Poplar



American Ash



European Oak



American Red Oak



European Pine



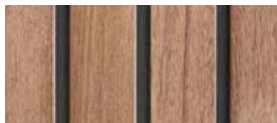
Cherry



Oregon Pine



Cambara



Merbau



Mahogany



Western Red Cedar



American Walnut

**BAMBOO**

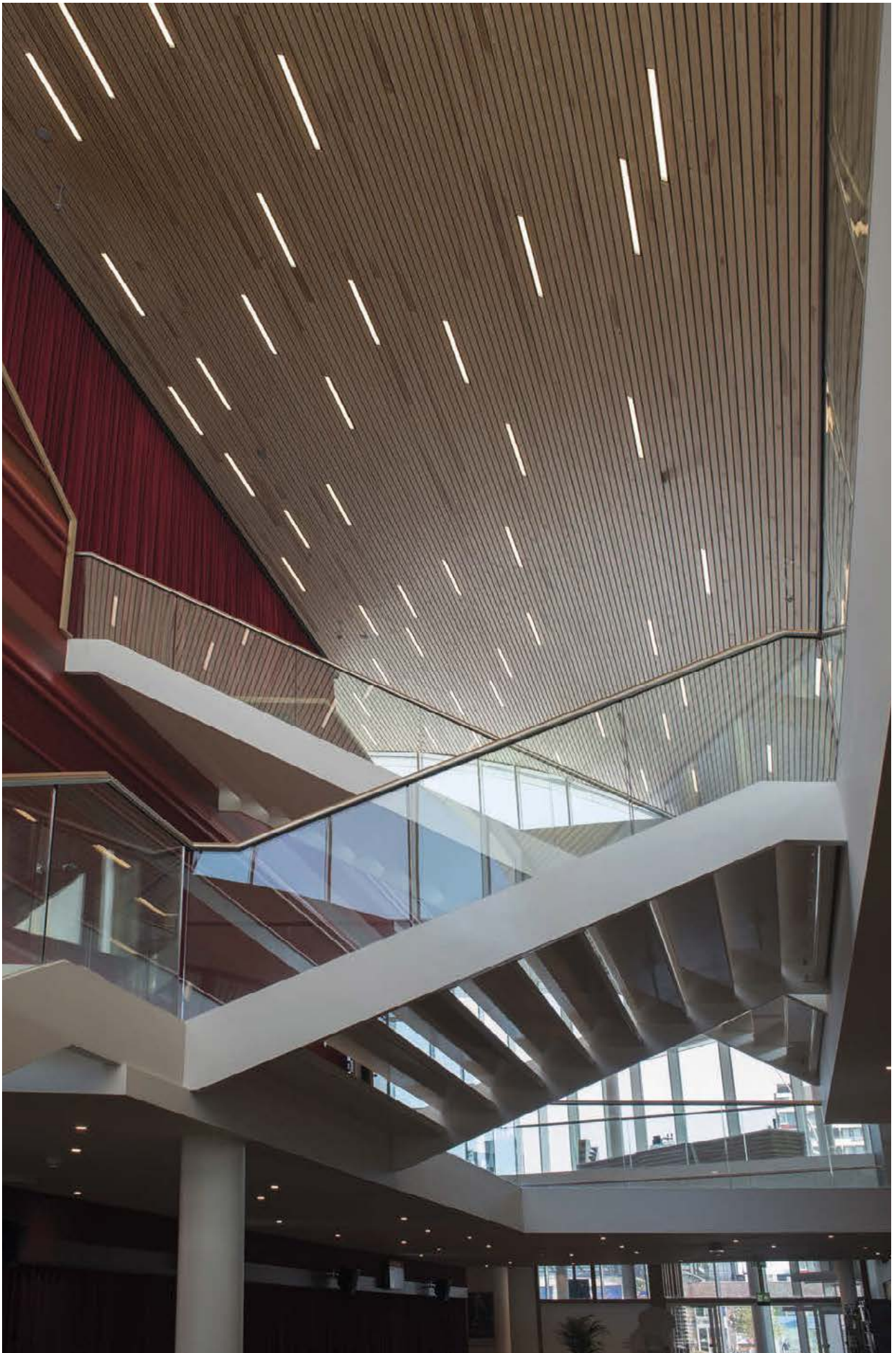
Bamboo SP Natural



Bamboo SP Caramel

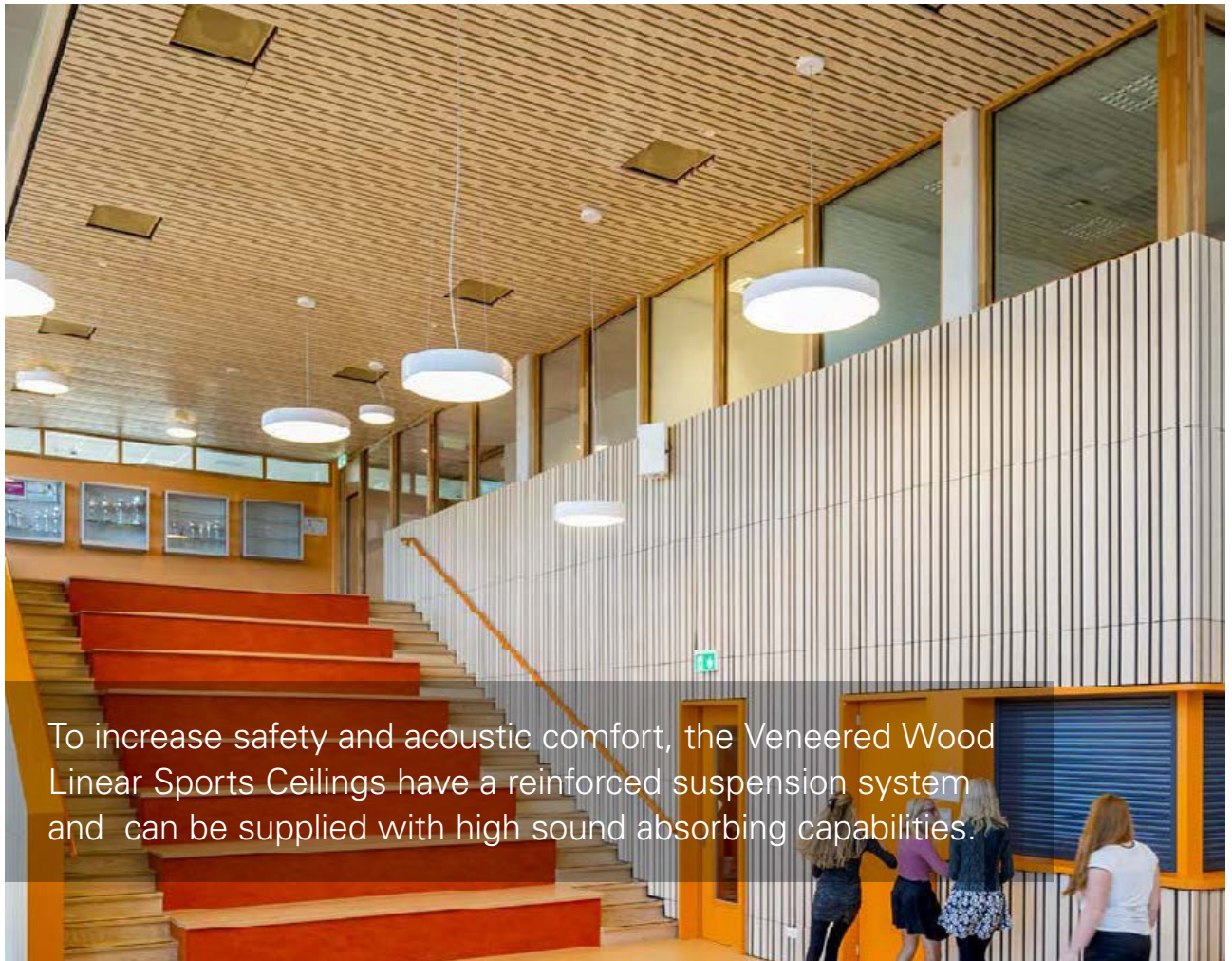


Bamboo DT Caramel



*Project: Atlas Theater, Emmen, The Netherlands - Product: Solid Wood Linear, Pine - Architect: Van den Berg Groep, LKSVDD, Claessens Erdmann Architects & Designers*





To increase safety and acoustic comfort, the Veneered Wood Linear Sports Ceilings have a reinforced suspension system and can be supplied with high sound absorbing capabilities.

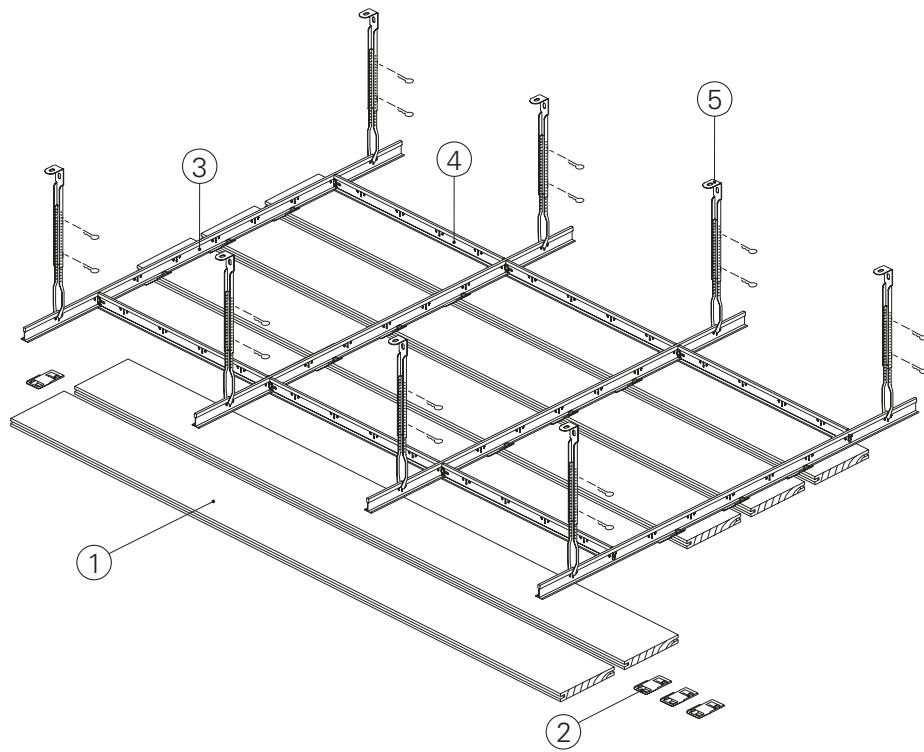
Project: Driestar, Leiden, The Netherlands - Veneered Wood Linear Cassettes, Ash veneer - Architect: Roosros Architecten

## KEY FEATURES

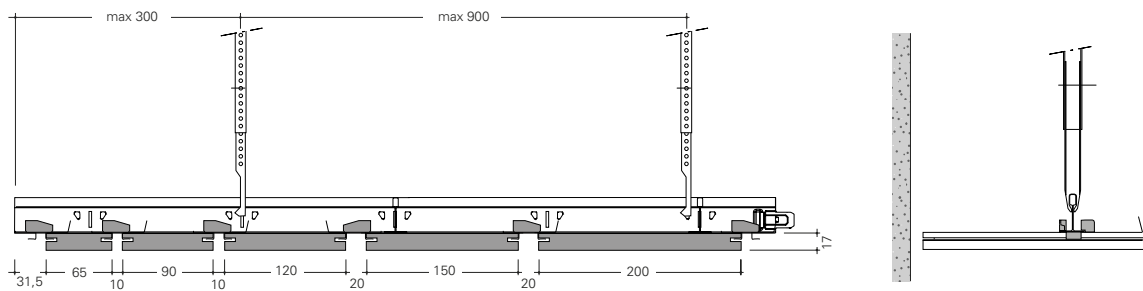
- Sport hall applications, certified according to DIN 18032 Part 3 and EN 13964 Annex D
- MDF core with a wooden top layer
- Panel width: 90 mm
- Lengths up to 2700 mm
- Panel thickness: 17 mm
- Joint width: 20 mm
- Variety of organic or engineered wood veneers, FSC or PEFC certified
- Optionally perforated for increase acoustic performance
- Demountable solution for sport halls available
- Reinforced suspension system
- Clear and colours stains available
- Compatible with industry standard lighting, HVAC, speaker, fire safety and security services

**TYPICAL ISOMETRICS**

- 1 = Veneered Wood Linear panel
- 2 = Metal clip
- 3 = Main runner
- 4 = Quicklock
- 5 = Nonius hanger



**TYPICAL SECTIONS**



**PHYSICAL DATA**

Acoustic rating:  $\alpha_w$  0.50  
 Weight: 10.0 - 15.0 kg/m<sup>2</sup>

**LEED V4 CREDITS**

- EA : Optimise Energy Performance
- EQ : Low-Emitting Materials
- EQ : Indoor Air Quality Management
- EQ : Acoustic Performance

**CERTIFICATIONS**

- FSC
- PEFC
- Ball impact resistance Class 1A

**COLOURS AND FINISHES**

Hunter Douglas offers a wide choice of wood species and finishes. Coloured stains can be applied to match custom colours or existing building elements. See our website for the most up to date information. The images are for illustration purposes only.

**ORGANIC VENEERS**

Organic veneer is a natural material sliced from tree logs without alterations or enhancements. This veneer types shows all the characteristics and intrinsic patterns of the tree, caused by the natural influences during his lifetime, making each veneer unique.



American Maple    American Red Oak    American Walnut    American/European Oak    European Ash    European Birch    Pine    Steamed Beech

**ORGANIC DYED VENEERS**

Organic dyed veneer is a completely natural veneer, dyed to create a unique, uniform colour.



Ash BF 001    Ash BF 002    Ash BF 049    Ash BF050    Birch BG 046    Birds Eye Maple E 069    Bolivar EB 064    Walnut EA193

**ENGINEERED VENEERS**

Engineered veneer is a natural material, processed to create a specific predesigned appearance. The veneer patterns create a more consistent and uniform appearance.



Oak    Wenge    Birch    Rosewood    Teak    Walnut    Cherry    Zingana

**SPECIALS**

A high variety of special veneers and top layers are available.

**Banana trunk veneers**

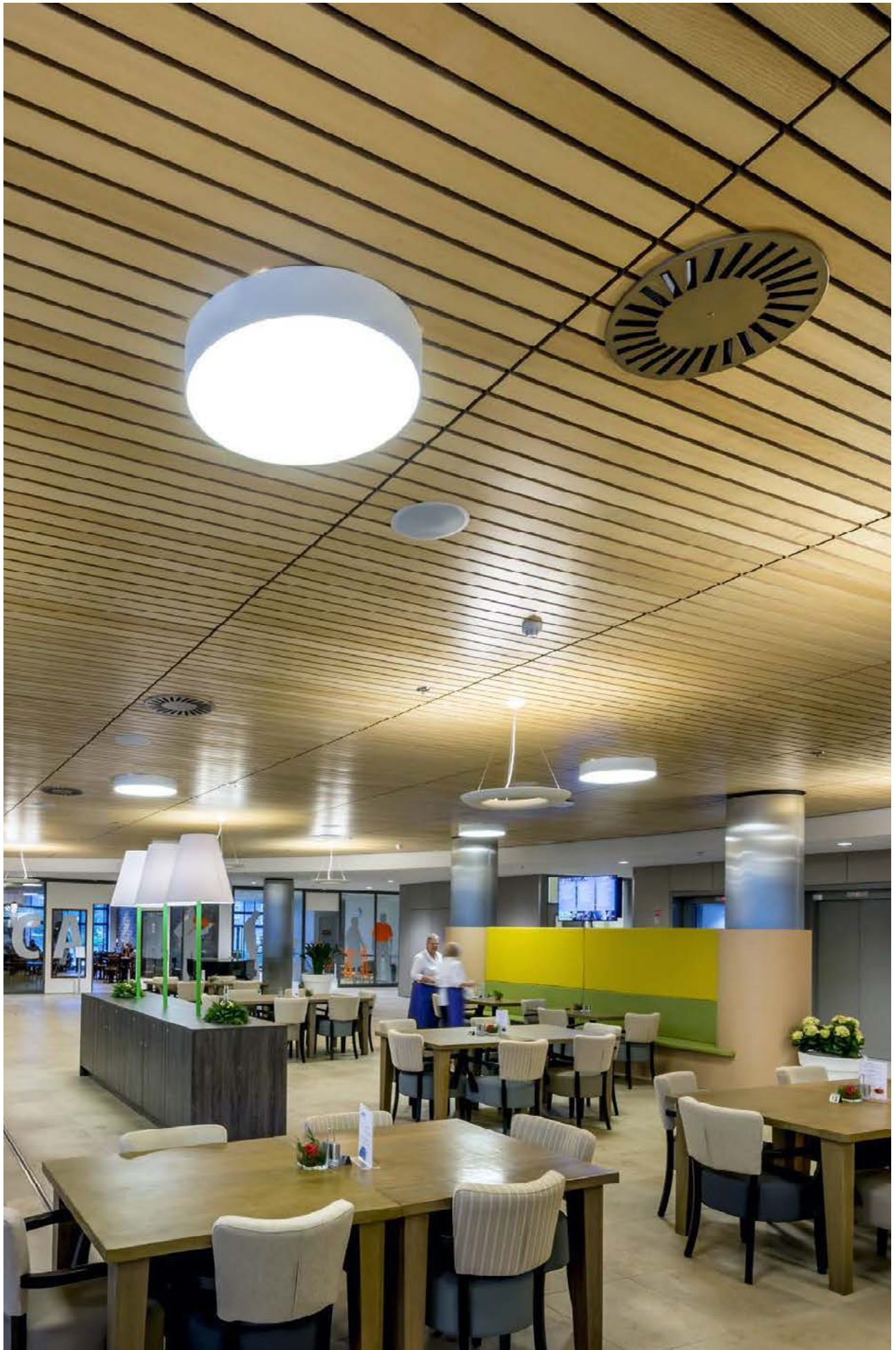
Grenada    Porto Rico    Martinique    St Barth    Aruba    Barbados    Anguilla    Dominica

**Engineered special veneers**

Arrow    Brown Devil    Deco M02    Deco M06    Burl    Cherry EVH    Vega    Mark

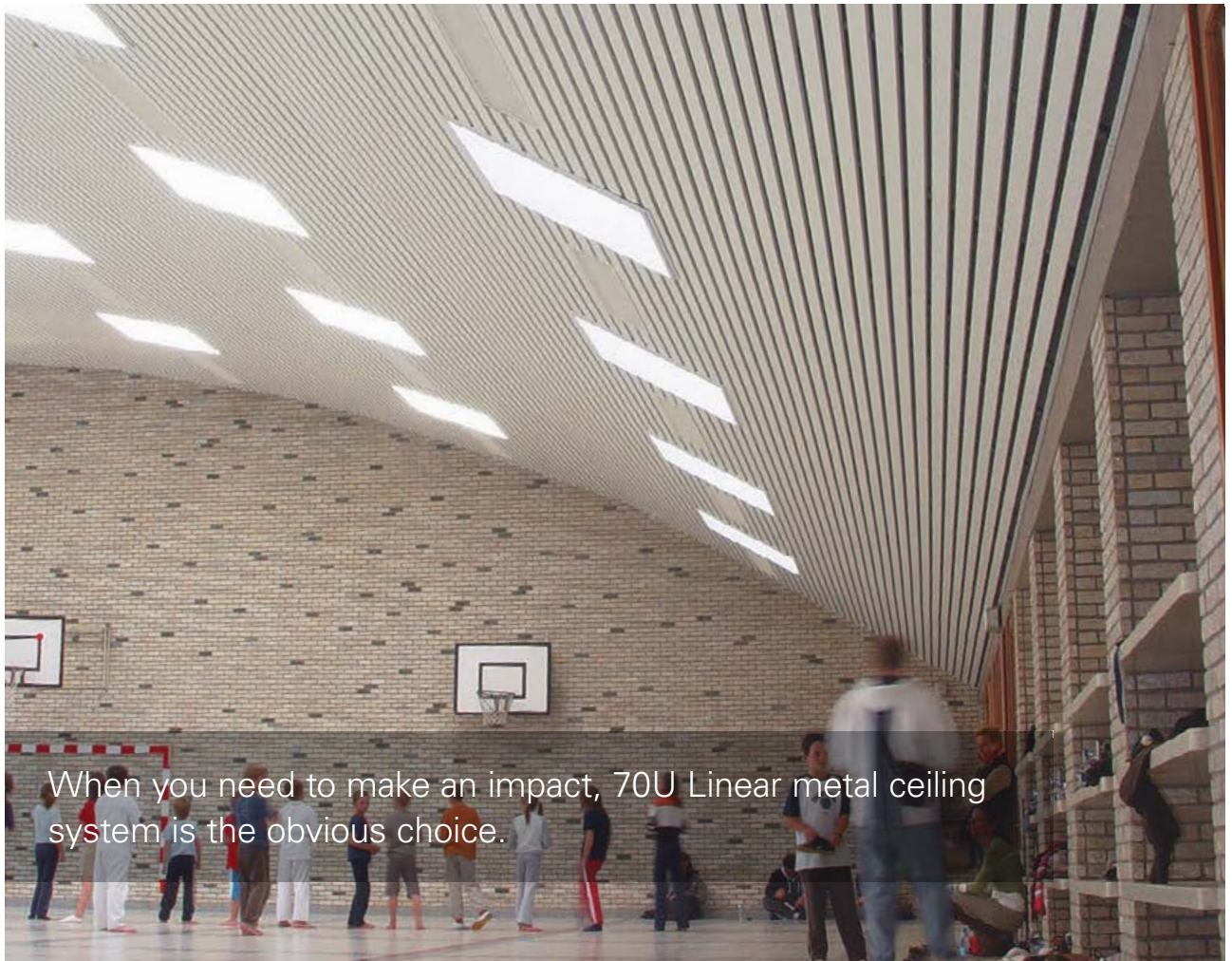
- Other finishes such as HPL, melamine or handsprayed RAL colours are available upon request. Please refer to our website for the latest product range.





Project: Zinn, Groningen, The Netherlands - Product: Linear cassette - Ash, clear lacquer - Architect: Team 4 architecten





When you need to make an impact, 70U Linear metal ceiling system is the obvious choice.

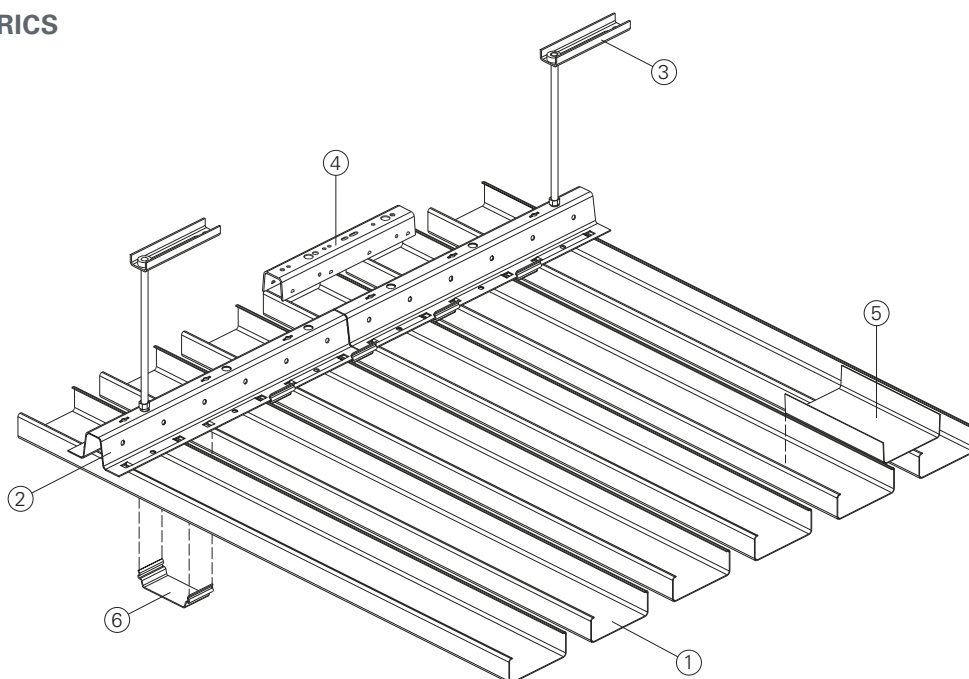
*Project: O.L.V. van Lourdescollege, Edegem, België - Product: 70U Sports Ceiling - Architect: René Van Steenbergem*

## KEY FEATURES

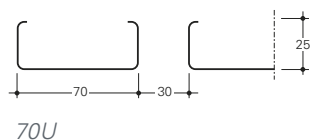
- Panel widths: 70 mm, joint width 30 mm
- Panel length: 800 mm up to 6000 mm
- Panel depth 25 mm
- Square edge design
- Tested on ball impact resistance
- On site waste reduction with factory fabricated dimensional material
- Downweight: reduce static load with lightweight aluminum or steel
- Easy plenum access
- Compatible with industry standard lighting, HVAC, speaker, fire safety, and security services

## TYPICAL ISOMETRICS

- 1 = 70U panel
- 2 = Carrier
- 3 = Hanger
- 4 = Carrier splice
- 5 = Panel splice
- 6 = Fixing clip



## TYPICAL SECTIONS



## PERFORATION PATTERNS

Standard patterns shown. See page 350 to see all perforation patterns.  
Scale shown: 1:1, unless otherwise noted.



Plain

## PHYSICAL DATA

- Substrate:** Steel or Aluminium
- Fire rating:** Class A2,s1,d0 according EN 13501-1
- Weight:** Varies ca 2.9 kg/m<sup>2</sup> - 8.3 kg/m<sup>2</sup>
- Light reflectance (LR) Coefficient:**
  - Varies with finish
  - HD0401: LR = 0.81

### BIM

REVIT files available, see website for details.

## LEED V4 CREDITS

- EA : Optimise Energy Performance
- MR: Building Product Disclosure
- EQ : Low-Emitting Materials
- EQ : Indoor Air Quality Assessment
- EQ : Daylight

### CERTIFICATIONS

- ISO 9001
- ISO 14001
- TAIM Certified
- Ball impact resistance Class 1A
- French VOC Regulation Class A+
- EPD: Available upon request



**COLOURS AND FINISHES**

Hunter Douglas offers a wide choice of colours and finishes. Custom colour matching is available upon request. Please contact your local Hunter Douglas sales office for minimum quantities and lead times. See website for the most up to date information. Colours are for illustration purposes only.

**PROTECTED BY LUXACOTE®**

*Luxacote® is a unique treatment for Luxalon® Exterior Ceilings.*

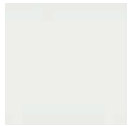
**Unprecedented Protection**



Proprietary Hunter Douglas' Luxacote® makes exterior ceilings extremely durable, providing colour and gloss stability, high scratch resistance, and resistance to corrosion. With Luxacote®, there is no need to recoat, which reduces maintenance costs and additional environmental impact.

Luxacote® protects the aluminium surface from corrosion and permanently anchors the paint to the metal surface. It contains highly colour-stable pigments for optimal colour-fastness and a highly scratch- and wear-resistant surface.

**STANDARD PAINT COLOURS**



0401  
RAL 9016

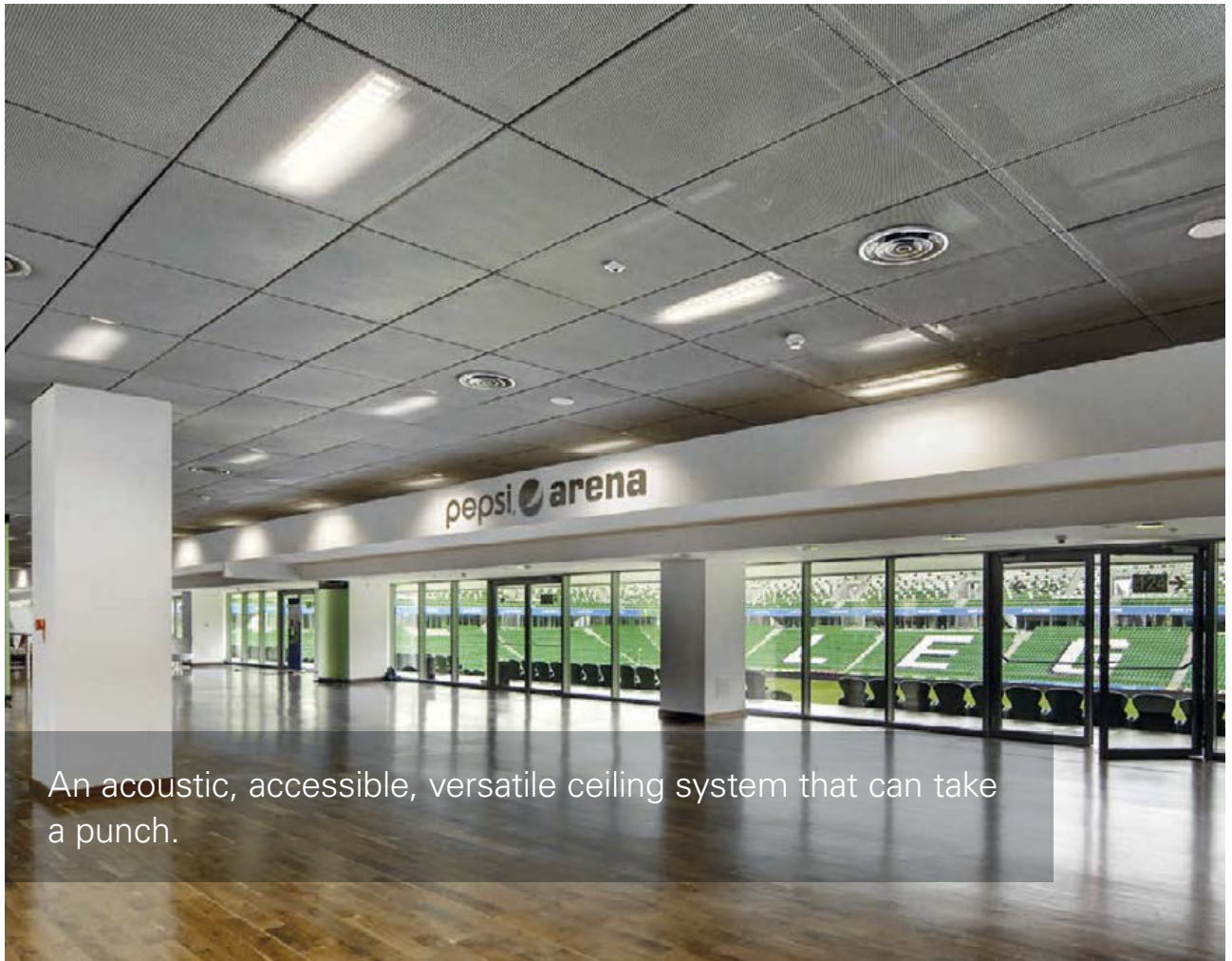
**CUSTOM COLOURS**





Project: O.L.V. van Lourdescollege, Edegem, België - Product: 70U Sports Ceiling - Architect: René Van Steenberghe





An acoustic, accessible, versatile ceiling system that can take a punch.

*Project: Pepsi Arena Legia Football Stadium, Warsaw, Poland - Product: Stretch Metal Beta (Safety-Loop) - Architect: JSK*

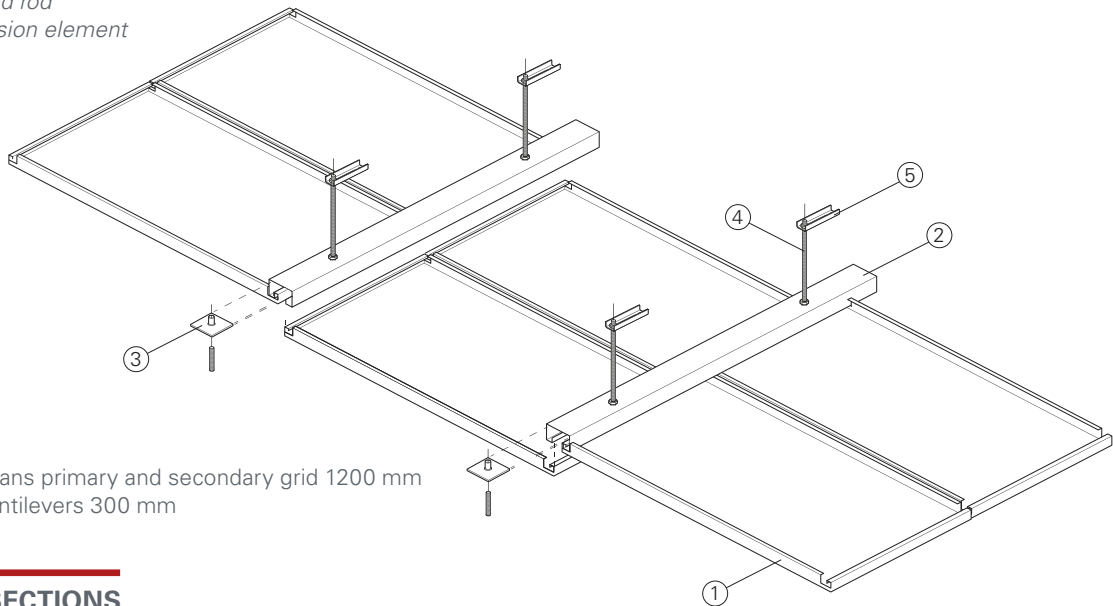
## KEY FEATURES

- Panel sizes 900 x 1940 mm
- Square-edge design
- Mesh panels with lay-on pads for acoustic control
- Tested on ball impact resistance
- On site waste reduction with factory fabricated dimensional material
- Downweight: reduce static load with lightweight aluminum or steel
- Easy plenum access
- Compatible with industry standard lighting, HVAC, speaker, fire safety, and security services



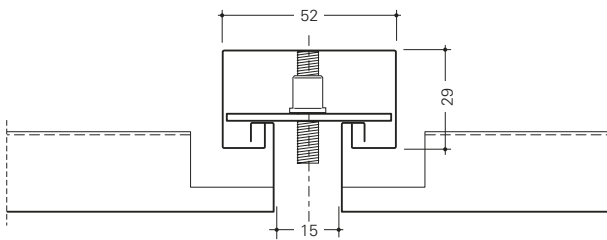
## TYPICAL ISOMETRICS

- 1 = Hook-On plank
- 2 = Safety-Loop profile
- 3 = Locking plate with screw
- 4 = Threaded rod
- 5 = Suspension element



Maximum spans primary and secondary grid 1200 mm  
Maximum cantilevers 300 mm

## TYPICAL SECTIONS



## MESH PATTERN

Scale 1:4



Moscow  
Open area 55%,  
Thickness 1.5 mm  
Dimensions:  
28 x 10 - 2 x 1.5  
Weight  
Alu 1.7/2.4 kg/m<sup>2</sup>  
FE 4.2/6.4 kg/m<sup>2</sup>

## PHYSICAL DATA

**Substrate:** Steel or Aluminium  
**Fire rating:** Class A1 according EN 13501-1  
**Weight:** Varies ca 4,9 kg/m<sup>2</sup> - 7,8 kg/m<sup>2</sup>  
**Light reflectance (LR) Coefficient:**  
- Varies with finish  
- RAL9010: LR = 0.81  
**Acoustic ratings:**  $\alpha_w$  0.55-1.00. See page 353

## BIM

REVIT files available, see website for details.

## LEED V4 CREDITS

EA : Optimise Energy Performance  
MR: Building Product Disclosure  
EQ : Low-Emitting Materials  
EQ : Indoor Air Quality Assessment  
EQ : Daylight  
EQ : Acoustic Performance

## CERTIFICATIONS

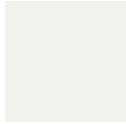
TAIM QS  
Ball impact resistance Class 1A  
French VOC Regulation: Class A  
EPD: Available upon request

---

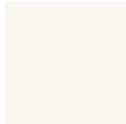
**COLOURS AND FINISHES**

Hunter Douglas offers a wide choice of colours and finishes. Custom colour matching is available upon request. Please contact your local Hunter Douglas sales office for minimum quantities and lead times. See website for the most up to date information. Colours are for illustration purposes only.

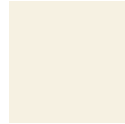
**STANDARD PAINT COLOURS**



0181  
RAL 9003



0106  
RAL 9016



0280  
RAL 9010



7163  
RAL 9006

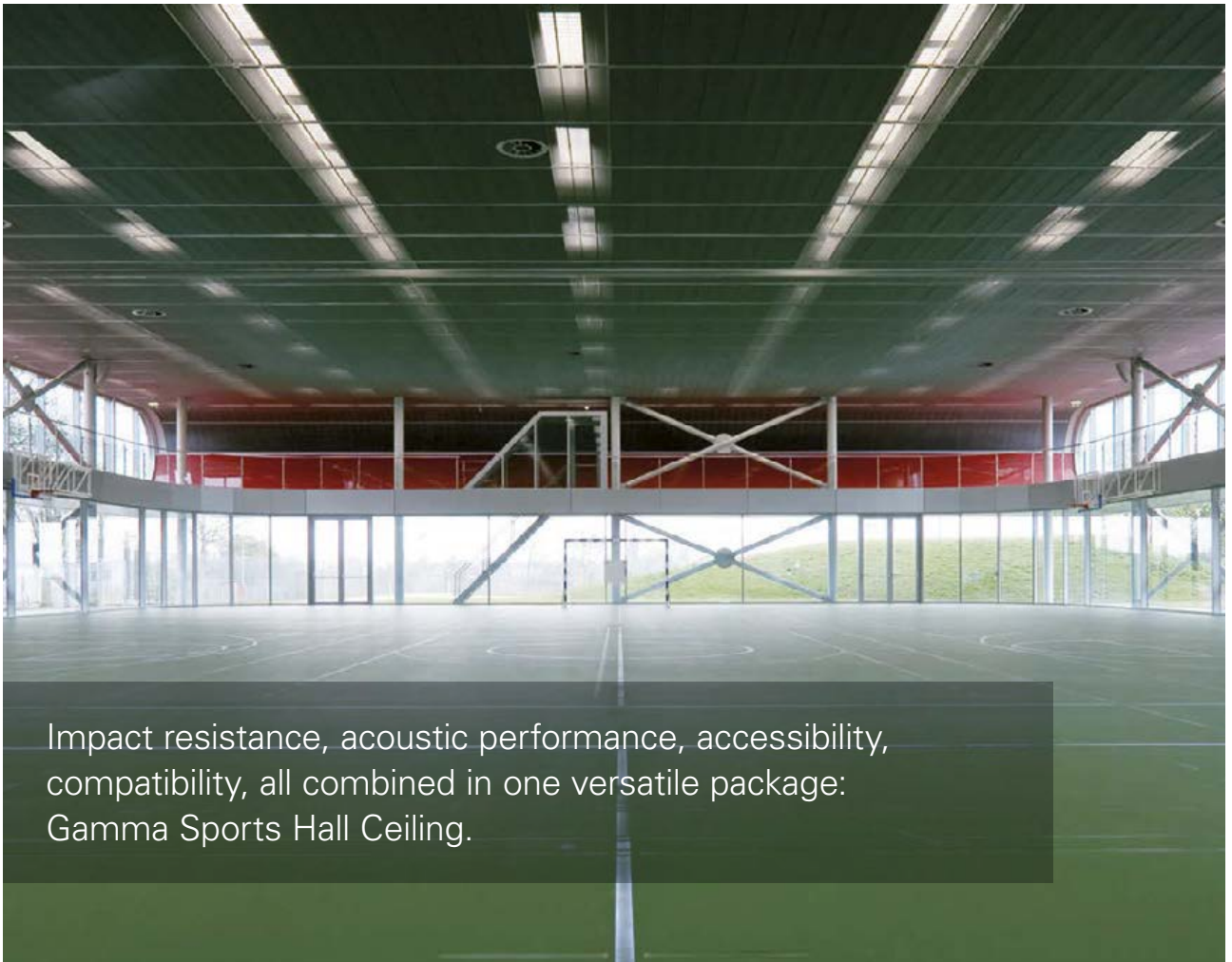
**CUSTOM COLOURS**





Project: Pepsi Arena Legia Football Stadium, Warsaw, Poland - Product: Stretch Metal Beta (Safety-Loop) - Architect: JSK





Impact resistance, acoustic performance, accessibility, compatibility, all combined in one versatile package: Gamma Sports Hall Ceiling.

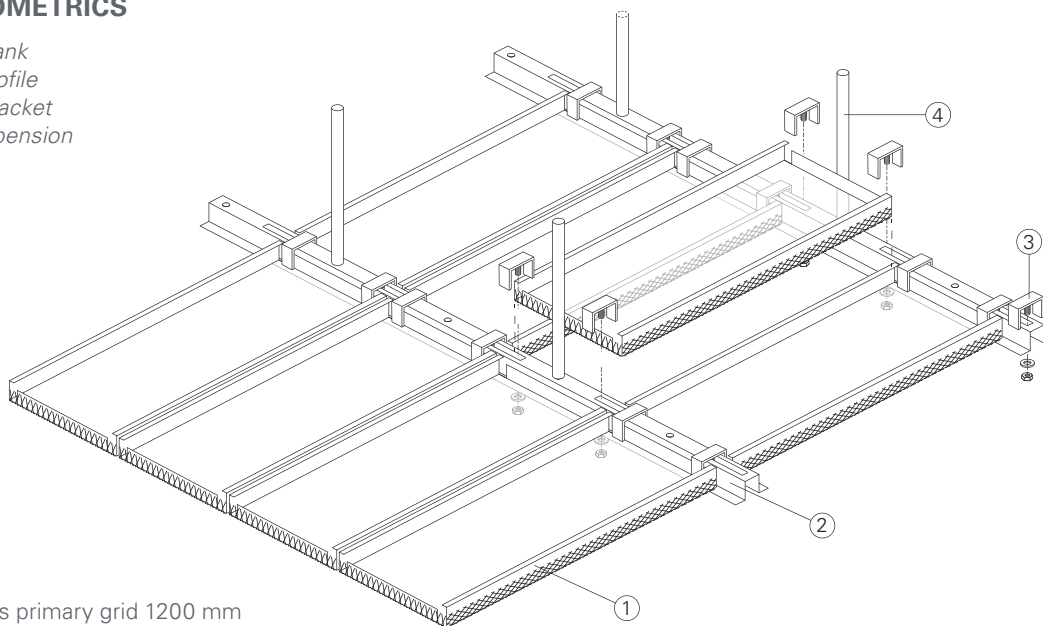
*Project: Ronald Mc Donald Centre, Amsterdam, The Netherlands - Product: Stretch Metal Gamma (Sports Hall) - Architect: FACT Architects*

## KEY FEATURES

- Panel sizes 300 x 1800 mm
- Square-edge design
- Mesh panels with lay-on pads for acoustic control
- Tested on ball impact resistance
- On site waste reduction with factory fabricated dimensional material
- Downweight: reduce static load with lightweight aluminum or steel
- Easy plenum access
- Compatible with industry standard lighting, HVAC, speaker, fire safety, and security services

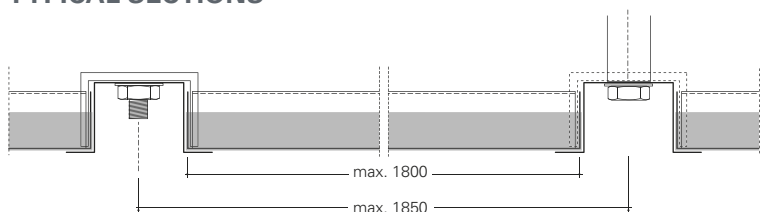
**TYPICAL ISOMETRICS**

- 1 = Lay-On Plank
- 2 = Omega profile
- 3 = Locking bracket
- 4 = Profix suspension



Maximum spans primary grid 1200 mm  
 Maximum cantilevers 300 mm

**TYPICAL SECTIONS**



**MESH PATTERN**

Scale 1:4



Moscow  
 Open area 55%,  
 Thickness 1.5 mm  
 Dimensions:  
 28 x 10 - 2 x 1.5  
 Weight  
 Alu 1.7/2.4 kg/m<sup>2</sup>  
 FE 4.2/6.4 kg/m<sup>2</sup>

**PHYSICAL DATA**

Substrate: Steel or Aluminium  
 Fire rating: Class A1 according EN 13501-1  
 Weight: Varies ca 4.9 kg/m<sup>2</sup> - 7.8 kg/m<sup>2</sup>  
 Light reflectance (LR) Coefficient:  
 - Varies with finish  
 - RAL9010: LR = 0.81  
 Acoustic ratings:  $\alpha_w$  0.55-1.00. See page 353

**BIM**  
 REVIT files available, see website for details.

**LEED V4 CREDITS**

- EA : Optimise Energy Performance
- MR: Building Product Disclosure
- EQ : Low-Emitting Materials
- EQ : Indoor Air Quality Assessment
- EQ : Daylight
- EQ : Acoustic Performance

**CERTIFICATIONS**

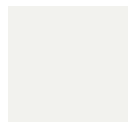
- TAIM QS
- Ball impact resistance Class 1A
- French VOC Regulation: Class A
- EPD: Available upon request

---

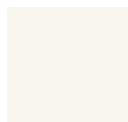
**COLOURS AND FINISHES**

Hunter Douglas offers a wide choice of colours and finishes. Custom colour matching is available upon request. Please contact your local Hunter Douglas sales office for minimum quantities and lead times. See website for the most up to date information. Colours are for illustration purposes only.

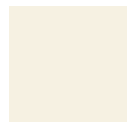
**STANDARD PAINT COLOURS**



0181  
RAL 9003



0106  
RAL 9016



0280  
RAL 9010



7163  
RAL 9006

**CUSTOM COLOURS**







Project: Ronald Mc Donald Centre, Amsterdam, The Netherlands - Product: Stretch Metal Gamma (Sports Hall) - Architect: FACT Architects



Project: Ronald Mc Donald Centre, Amsterdam, The Netherlands - Product: Stretch Metal Gamma (Sports Hall) - Architect: FACT Architects









Project: Sports Stadium Suites, Santa Clara, CA  
Product: Sedes™ - Straight  
Photo credit: Bob Perzel











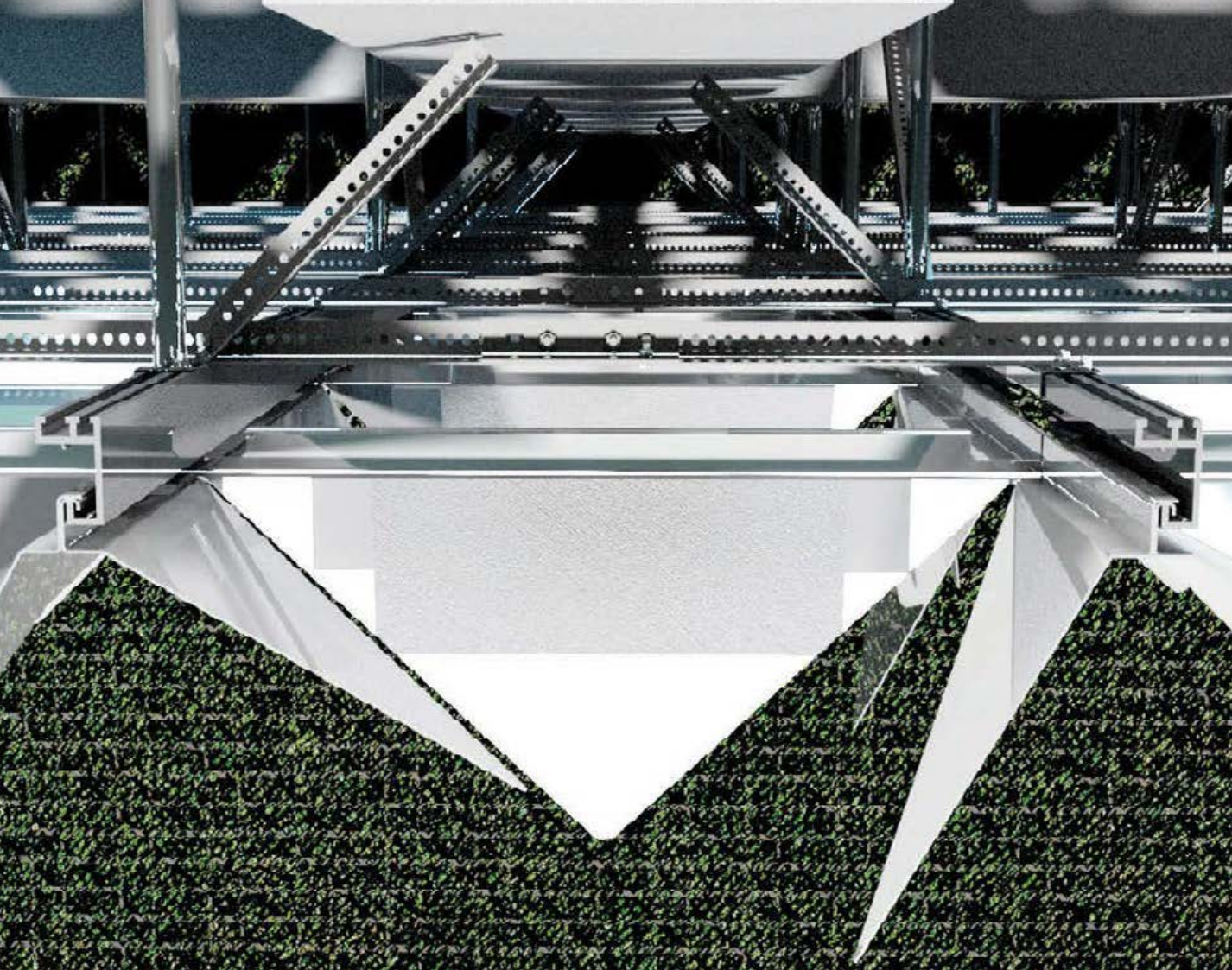
Project: North Carolina State - Reynolds Coliseum, Raleigh, NC  
Product: Custom Wall  
Photo credit: Bob Perzel





Project: Train Station Delft, The Netherlands  
Architect: Bentheim Crouwel Architecten  
Product: Custom baffle ceiling





# RESOURCES

BIM 348

PERFORATION PATTERNS 350

ACOUSTIC TEST RESULTS 352

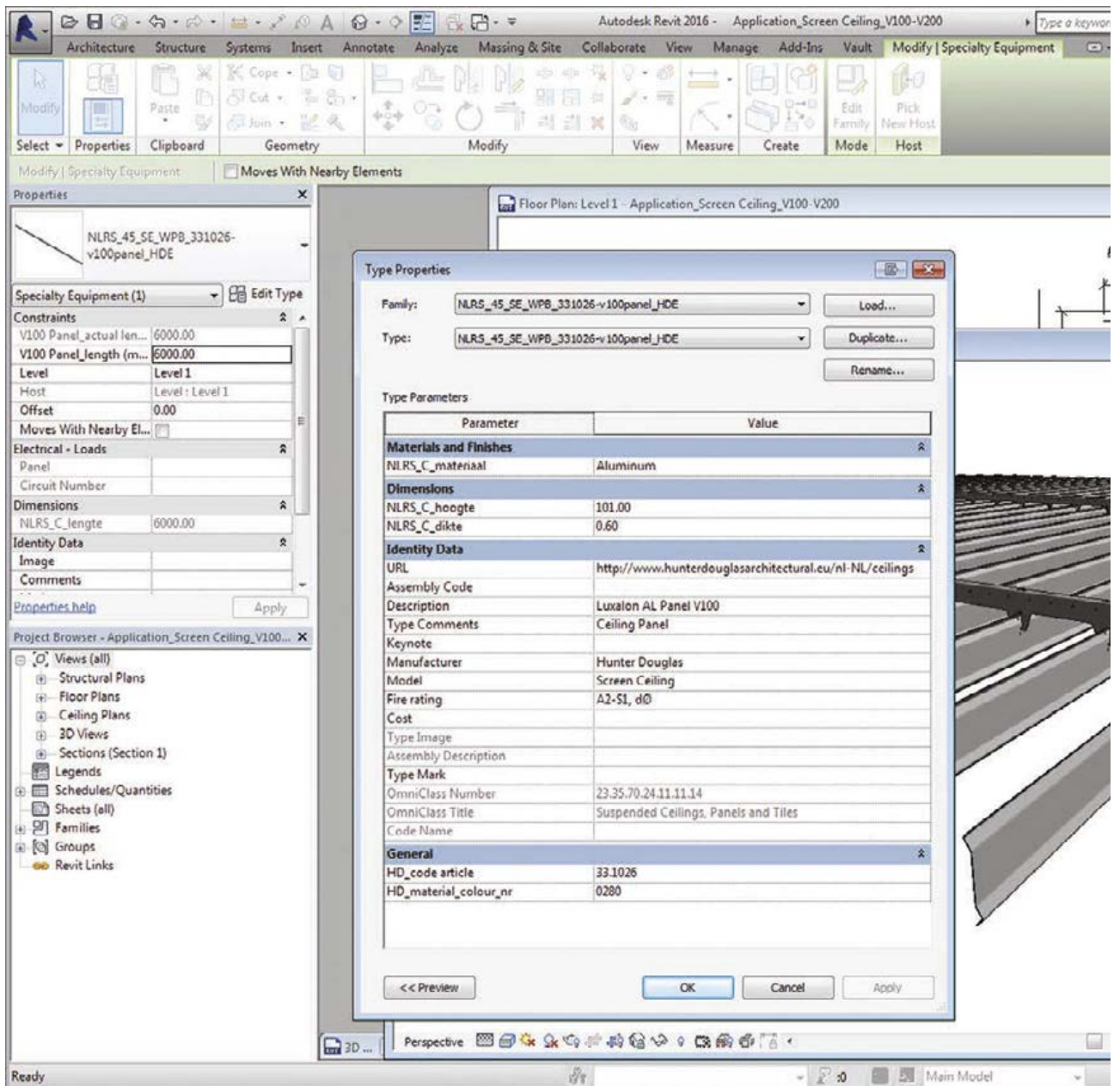
SUSTAINABILITY 354



**BIM CAPABLE**

Collaboration starts with Hunter Douglas.

Hunter Douglas Ceilings offer a comprehensive REVIT file library for BIM requirements, with resources that support the entire project, from design development, to working drawings, to preconstruction and construction, all the way through to ongoing operations and maintenance.

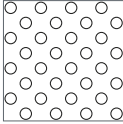
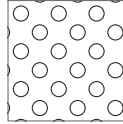
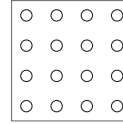
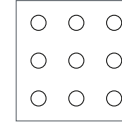
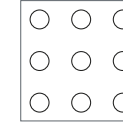
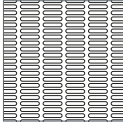
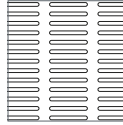
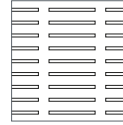
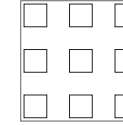




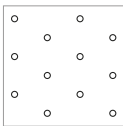
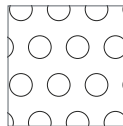
Perforation patterns improve acoustical performance as well as create aesthetic effects. Non-perforated option available for all products. Contact Hunter Douglas Ceilings for wood finish perforation options. Scale 1:1 shown, unless otherwise noted.

METAL CEILINGS

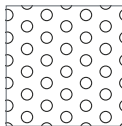
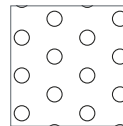
Planks

				
D1522 Ø 1.5 mm ⌈ 4 ⇔ 4 Openness 22%	D2022 Ø 2 mm ⌈ 5 ⇔ 5 Openness 22%	R1511 Ø 1.5 mm ⌈ 4 ⇔ 4 Openness 11%	R2011 Ø 2 mm ⌈ 5 ⇔ 5 Openness 11%	R2516 Ø 2.5 mm ⌈ 5.5 ⇔ 5.5 Openness 16%
(Scale 1:10)	(Scale 1:10)	(Scale 1:10)	(Scale 1:2)	
				
A5x25R WxH 25 x 5 mm ⌈ 8 ⇔ 30 Openness 50%	A5x50R WxH 50 x 5 mm ⌈ 12.5 ⇔ 64 Openness 30.6%	F4x61R WxH 61 x 4 mm ⌈ 17 ⇔ 75 Openness 19%	Q6025 □ 6 mm ⌈ 12 ⇔ 12 Openness 25%	

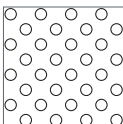
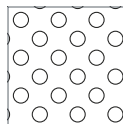
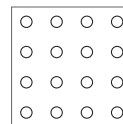
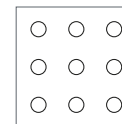
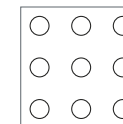
QuadroClad® Acoustic

	
Front side D0804 Ø 0.8 mm ⌈ 5 ⇔ 8.66 Openness 3.6%	Reverse side D3033 Ø 3 mm ⌈ 5 ⇔ 5 Openness 32.6%

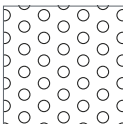
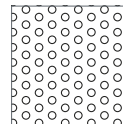
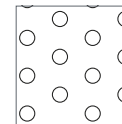
Wide Panel

	
D1523 Ø 1.5 mm ⌈ 3 ⇔ 5.2 Openness 23%	D2016 Ø 2 mm ⌈ 5 ⇔ 8.66 Openness 16%





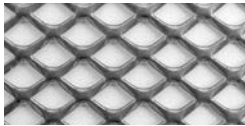


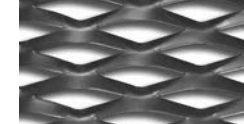

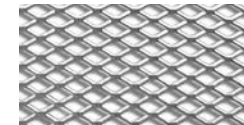
Tiles and TAVOLA™

				
D1522 Ø 1.5 mm ⌈ 4 ⇔ 4 Openness 22%	D2022 Ø 2 mm ⌈ 5 ⇔ 5 Openness 22%	R1511 Ø 1.5 mm ⌈ 4 ⇔ 4 Openness 11%	R2011 Ø 2 mm ⌈ 5 ⇔ 5 Openness 11%	R2516 Ø 2.5 mm ⌈ 5.5 ⇔ 5.5 Openness 16%

Linear

	<i>On request</i>		
D1523 Ø 1.5 mm ⌈ 3 ⇔ 5.2 Openness 23%		D1023 Ø 1 mm ⌈ 2 ⇔ 3.46 Openness 23%	D2016 Ø 2 mm ⌈ 5 ⇔ 8.66 Openness 16%

Stretch Metal

	
LD6 (Fe) (Scale 1:4) Open area 40% Thickness 1.7 mm Dimensions: 6 x 3.5 - 1.1 x 0.8 Weight 1.6 kg/m <sup>2</sup>	LS6 (Fe) (Scale 1:4) Open area 36% Thickness 1.7 mm Dimensions: 6 x 4.5 - 1.2 x 1.0 Weight 1.3 kg/m <sup>2</sup>
	
LS8 (Fe+Al) (Scale 1:4) Open area 54% Thickness 1.9 mm Dimensions: 8 x 6.0 - 1.2 x 1.0 Weight 1.7 kg/m <sup>2</sup>	LS10 (Fe+Al) (Scale 1:4) Open area 57% Thickness 2.0 mm Dimensions: 10 x 7.0 - 1.5 x 1.0 Weight 1.3 kg/m <sup>2</sup>
	
LS12 (Fe+Al) (Scale 1:4) Open area 66% Thickness 2.0 mm Dimensions: 12 x 9.5 - 1.6 x 1.0 Weight 1.7 kg/m <sup>2</sup>	LS16 (Fe) (Scale 1:4) Open area 46% Thickness 2.0 mm Dimensions: 16 x 11.0 - 3.0 x 2.0 Weight 2.0 kg/m <sup>2</sup>
	
New York (Scale 1:4) Open area 48% Thickness 2.0 mm Dimensions: 85 x 35 - 11 x 2 Weight (Al) 2.6/3.4 kg/m <sup>2</sup> Weight (Fe) 7.6/10.2 kg/m <sup>2</sup>	Dubai (Scale 1:4) Open area 36% Thickness 1.5 mm Dimensions: 62 x 23 - 8 x 1.5 Weight (Al) 2.7/3.6 kg/m <sup>2</sup> Weight (Fe) 8.2/11.2 kg/m <sup>2</sup>
	
Moscow (Scale 1:4) Open area 55% Thickness 1.5 mm Dimensions: 28 x 10 - 2 x 1.5 Weight (Al) 1.7/2.4 kg/m <sup>2</sup> Weight (Fe) 4.2/6.4 kg/m <sup>2</sup>	Rotterdam (Scale 1:4) Open area 50% Thickness 2.4 mm Dimensions: 20 x 10 - 2.5 x 1.0 Weight (Al) 2.4 kg/m <sup>2</sup> Weight (Fe) 5.4 kg/m <sup>2</sup>



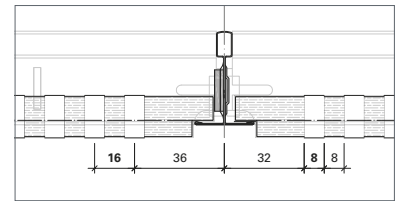
WOOD CEILINGS

Veneered Wood Tiles & Panels

Single perforations - Regular (Scale 1:5)

R5008 Ø 5 mm ⌀ 16 ⇄ 16 Openness 8%	R7015 Ø 7 mm ⌀ 16 ⇄ 16 Openness 15%	R8020 Ø 8 mm ⌀ 16 ⇄ 16 Openness 20%	R8005 Ø 8 mm ⌀ 32 ⇄ 32 Openness 5%	R9006 Ø 9 mm ⌀ 32 ⇄ 32 Openness 6%	R10008 Ø 10 mm ⌀ 32 ⇄ 32 Openness 8%

Example single perforation



Section Detail (Scale 1:3)  
R8020 - Ø 8 mm - ⌀ 16 ⇄ 16

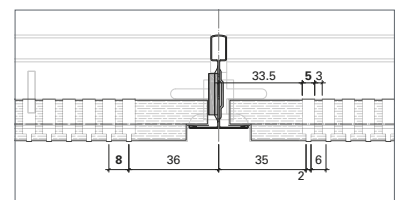
Single perforations - Irregular (Scale 1:5)

D8005 Ø 8 mm ⌀ 32 ⇄ 32 Openness 5%	D9006 Ø 9 mm ⌀ 32 ⇄ 32 Openness 6%	D10008 Ø 10 mm ⌀ 32 ⇄ 32 Openness 8%	D8003 Ø 8 mm ⌀ 32 ⇄ 64 Openness 3%	D9003 Ø 9 mm ⌀ 32 ⇄ 64 Openness 3%	D10004 Ø 10 mm ⌀ 32 ⇄ 64 Openness 4%

Double perforations - Regular (Scale 1:5)

R1503A Ø 1.5 mm ⌀ 8 ⇄ 8 Openness 3%	R2005A Ø 2 mm ⌀ 8 ⇄ 8 Openness 5%	R3003A Ø 3 mm ⌀ 16 ⇄ 16 Openness 3%	R5008B Ø 5 mm ⌀ 16 ⇄ 16 Openness 8%	R7015B Ø 7 mm ⌀ 16 ⇄ 16 Openness 15%

Example double perforation



Section Detail (Scale 1:3)  
R2005A - Ø 2 mm - ⌀ 8 ⇄ 8

Nano perforations (Scale 1:1)

D0505A  
Ø 0.5 mm  
⌀ 1.9 ⇄ 1.9  
Regular  
Openness 5%

Slotted perforation (Scale 1:20)

R9724S WxH 97/8 mm ⌀ 24 ⇄ 132 Regular Openness 24%	R9718S WxH 97/8 mm ⌀ 32 ⇄ 132 Regular Openness 18%	R9711S WxH 97/8 mm ⌀ 48 ⇄ 132 Regular Openness 11%	D9724S WxH 97/8 mm ⌀ 24 ⇄ 132 Irregular Openness 24%	D9711S Ø 97 mm ⌀ 48 ⇄ 132 Irregular Openness 11%

Topline Panels

Topline perforations - Irregular (Scale 1:5)

View sides

Topline® 6/2 Plain 6 mm Groove 2 mm Openness 25%	Topline® 9/2 Plain 9 mm Groove 2 mm Openness 18%	Topline® 14/2 Plain 14 mm Groove 2 mm Openness 13%	Topline® 13/3 Plain 13 mm Groove 3 mm Openness 19%

Back sides

Topline® 29/3 Plain 29 mm Groove 3 mm Openness 9%	Topline® 28/4 Plain 28 mm Groove 4 mm Openness 13%	Round	Slotted

## SOUND ABSORPTION ( $\alpha_w$ ) SUMMARY

Ceiling panels are available in a variety of perforation patterns for optimum acoustical performance. Sound absorption can be achieved by the addition of backing these panels with acoustical fabric or pad

### HEARTFELT®

Plenum depth 200 mm

Module	% Open Area	Panel description	Acoustic Infill	$\alpha_w$
50	20%	Panel 40 x 55 mm	none	0.70
60	33%	Panel 40 x 55 mm	none	0.65
70	43%	Panel 40 x 55 mm	none	0.60
70	43%	Panel 40 x 55 mm	Mineral wool tiles or PES acoustical tiles	1.00
80	50%	Panel 40 x 55 mm	none	0.50
90	55%	Panel 40 x 55 mm	none	0.45
100	60%	Panel 40 x 55 mm	none	0.45

### TILES

Plenum depth 400 mm

Perforation Pattern	% Open Area*	Panel description	Acoustic Infill	$\alpha_w$
D1522	22%	Tiles 600 x 600 mm	Non-Woven Acoustic tissue	0.65
R1511	11%			
D2022	22%	Tiles 600 x 600 mm	Non-Woven Acoustic tissue	0.55
R2011	11%			
R2516	16%	Tiles 600 x 600 mm	Non-Woven Acoustic tissue	0.70

\* With post painted products the openness will decrease due to paint thickness

### PLANKS & TAVOLA BAFFLES

Plenum depth 300 mm

Perforation Pattern	% Open Area*	Panel description	Acoustic Infill	$\alpha_w$
D1522	22%	Baffle 200 x 30 mm, plain bottom, ctc 150 mm	Non-Woven Acoustic tissue	0.50
D1522	22%	Baffle 200 x 30 mm, plain bottom, ctc 200 mm	Non-Woven Acoustic tissue	0.50
D1522	22%	Baffle 200 x 30 mm, plain bottom, ctc 300 mm	Non-Woven Acoustic tissue	0.40
D1522	22%	Baffle 200 x 30 mm, plain bottom, ctc 400 mm	Non-Woven Acoustic tissue	0.40
R1511	11%			
D2022	22%			
R2011	11%			
R2516	16%			

\* With post painted products the openness will decrease due to paint thickness

### LINEAR

Plenum depth 200 mm

Perforation Pattern	% Open Area	Panel description	Acoustic Infill	$\alpha_w$
D1523	23 %	All panel types, closed joints	Non-Woven Acoustic tissue	0.75
D1023	23%	75C panel	Non-Woven Acoustic tissue	0.65
D2016	16%	All panel types, closed joints	Non-Woven Acoustic tissue	0.80

### WIDE PANEL

Plenum depth 400 mm

Perforation Pattern	% Open Area	Panel description	Acoustic Infill	$\alpha_w$
D1523	23 %	300C/L	Non-Woven Acoustic tissue	0.75
D2016	16%	300C/L	Non-Woven Acoustic tissue	0.75

**QUADROCLAD® ACOUSTIC**

Plenum depth 200 mm

Perforation Pattern	% Open Area	Panel description	Acoustic Infill	$\alpha_w$
D0804 / D3033	3.6 %	XL50, XL100, XLts and XLnt	Non-Woven Acoustic tissue	0.75

**STRETCH METAL**

Plenum depth 200 mm

Stretch Pattern	% Open Area*	Panel description	Acoustic Infill	$\alpha_w$
LD6	23 %	Tile 600 x 600 mm	Acoustical pad 25 mm	0.85
LS10	68%	Tile 800 x 800 mm	Acoustical pad 85 mm	1.00
LS8	62%	Tile 600 x 600 mm	Acoustical pad 25 mm	0.85

\* With post painted products the openness will decrease due to paint thickness

**SOLID WOOD**

Linear Module	% Open Area	Acoustic Infill	$\alpha_w$
Solid Wood Linear 92 mm (module 111 mm)	21%	Non-Woven Acoustic tissue	0.30
Solid Wood Linear 92 mm (module 111 mm)	21%	Non-Woven Acoustic tissue + 20 mm rock wool	0.50
Grill Module	% Open Area	Acoustic Infill	$\alpha_w$
Solid Wood Grill 25-15-55	63%	40 mm mineral wool	0.90
Solid Wood Grill 25-15-55	63%	50 mm rock wool	0.85

**VENEERED WOOD TILES**

Perforation Pattern	% Open Area	Acoustic Infill	$\alpha_w$
R7015	15%	Non-Woven Acoustic tissue	0.75
R8020	20%	Non-Woven Acoustic tissue	0.75
R9006	6%	Non-Woven Acoustic tissue	0.40
D7030	30%	Non-Woven Acoustic tissue	0.95
D9012	12%	Non-Woven Acoustic tissue	0.60
R9025	25%	Non-Woven Acoustic tissue	0.90
R1503A	3%	Non-Woven Acoustic tissue	0.35
R5008B	8%	Non-Woven Acoustic tissue	0.65
D0505A	5%	Non-Woven Acoustic tissue	0.95
R9724S	24%	Non-Woven Acoustic tissue	0.75
R9718S	18%	Non-Woven Acoustic tissue	0.65
R9711S	11%	Non-Woven Acoustic tissue	0.50
D9724S	24%	Non-Woven Acoustic tissue	0.75
D9711S	11%	Non-Woven Acoustic tissue	0.50

**VENEERED WOOD TOPLINE**

Perforation Pattern	% Open Area	Acoustic Infill	$\alpha_w$
TLS 6/2	25%	Non-Woven Acoustic tissue	0.90
TLS 14/2	13%	Non-Woven Acoustic tissue	0.65
TLS 13/3	19%	Non-Woven Acoustic tissue	0.75
TLS 28/4	13%	Non-Woven Acoustic tissue	0.65
TTA 13/3 FD	16%	Non-Woven Acoustic tissue	0.80
TTA 13/3 HD	16%	Non-Woven Acoustic tissue	0.65
TTA 28/4 FD	13%	Non-Woven Acoustic tissue	0.60
TTA 28/4 HD	13%	Non-Woven Acoustic tissue	0.40

**VENEERED WOOD**

Perforation Pattern	% Open Area	Acoustic Infill	$\alpha_w$
Veneered Wood Grill 44-17-55	72%	3 mm acoustic felt	0.85



Hunter Douglas Ceilings utilizes metal, wood and felt materials to design, engineer and manufacture ceiling systems that optimise interior environmental quality, material resources and energy usage. Hunter Douglas incorporates sustainable materials and employs sustainable practices in

its manufacturing processes. When applied as part of an overall building plan for new and renovation construction, solutions from Hunter Douglas may contribute to Green Globes and LEED BD+C and ID+C certification for schools, retail, hospitality, healthcare and commercial interiors.

**ACOUSTIC COMFORT**

Noise of equipment and conversation have been shown to impact worker comfort and productivity. Hunter Douglas acoustical ceilings have noise reduction coefficients  $\alpha_w$  up to 1.00.

**DAYLIGHTING**

Hunter Douglas ceilings diffuse light for visual comfort and move daylight into a space, reducing energy used by artificial lights.

**ENERGY PERFORMANCE**

Interior spaces designed with light colours and a minimum of 70% reflectance on the ceilings and walls can reduce artificial lighting requirements significantly, reducing energy consumption.



**BUILDING PRODUCT DISCLOSURE**

Hunter Douglas Ceilings uses products and materials for which life-cycle information is available and that have environmentally, economically, and socially preferable life-cycle impacts.

**RECYCLED CONTENT**

Using both pre-consumer and post-consumer materials, many Hunter Douglas systems feature recycled components in steel, aluminum, and HDPE plastics.

**INDOOR AIR QUALITY**

Perfect for projects where air quality is a priority, nearly all Hunter Douglas products meet low emissions standards for GREENGUARD and GREENGUARD Gold certification.

## PARTNERS &amp; PROGRAMS

**LEED**

LEED is transforming the way we think about how building spaces are designed, constructed, maintained and operated. Hunter Douglas' continued research and development to create ceilings products that are more environmentally friendly contribute to the overall performance of a building, as well as to LEED certification by optimising daylighting and improving acoustical comfort and energy efficiency.

**ENVIRONMENTAL PRODUCT DECLARATION (EPD)**

Hunter Douglas understands the importance of transparency to sustainable design and building. From raw material extraction through final disposal or reuse, we can provide life-cycle assessments on many of our products environment and health impacts.

**ECOSCORECARD**

Our ecoScorecard LEED calculator helps customers search and evaluate the impact of Hunter Douglas' ceilings products against leading environmental rating systems. Using the most up-to-date data in the marketplace, ecoScorecard provides clear, concise product information as well as supporting documentation.

**GREENGUARD**

Hunter Douglas is committed to meeting the growing demand for healthier, more sustainable products. Meeting the rigorous and comprehensive standards for low emissions of VOC's, our Greenguard Gold Certified ceilings contribute to the overall indoor air quality and general health of a building space.

**FSC® CERTIFIED  
(FOREST STEWARDSHIP COUNCIL)**

Hunter Douglas is committed to protecting our forests for future generations. Many of our wooden ceilings are FSC certified, which employ forest friendly resource management and help to reduce environmental impact by promoting responsible consumption. Hunter Douglas' FSC Chain of Custody Certificate # is NC-COC-016324.

**CRADLE TO CRADLE**

Hunter Douglas adopts the cradle to cradle (C2C) product philosophy to the design of products that fit the circular paradigm. Both our metal and felt ceilings are C2C-certified. They are designed for longevity, using materially healthy technical nutrients that can be reused at end of life as a high-quality source for something new.

**OEKO-TEX® STANDARD 100**

Hunter Douglas is committed to products that are safe to use and do not contain harmful chemicals or have a detrimental effect on health. Products that are certified according the OEKO-TEX® Standard 100 contribute to high and effective product safety from a consumer's point of view.

# HUNTER DOUGLAS

## ARCHITECTURAL

**For more than 50 years, we've been fortunate enough to help turn countless innovative sketches into innovative buildings. Architects, designers, investors and contractors from around the world have taken advantage of Hunter Douglas' unmatched product development, service and support. Chances are, you've seen more of Hunter Douglas than you think.**

Major operation centres in Europe, North America, Latin America, Asia and Australia, we've contributed to thousands of high-profile projects, from retail and commercial facilities to major transit centres and government buildings.



▲ SUN LOUVRE



▲ CEILINGS

FAÇADES ▼



Not only are the world's architects and designers our partners, they're our inspiration. They continue to raise the bar for excellence. We create products that help bring their visions to life: Ceilings, Sun Louvres and Façades.

## Designed to work for you

© Registered trademark of Hunter Douglas - a HunterDouglas® product Pats. & Pats. Pend. - Technical data subject to change without notice. © Copyright Hunter Douglas 2018. No rights can be derived from copy, text pertaining to illustrations or samples. Subject to changes in materials, parts, compositions, designs, versions, colours etc., even without notice. **MX520C00**







## HISTORY HUNTER DOUGLAS

**1919** - Henry Sonnenberg founds his machine tool distribution, later manufacturing, company in Düsseldorf, Germany

**1933** - Henry uses 150 railroad cars to move his entire operation to Rotterdam, The Netherlands.

**1942** - Henry moves to the US and founds Douglas Machinery Corporation.

**1946** - Joe Hunter joins forces with Henry and develops new technology and equipment for the continuous casting and fabrication of lightweight aluminium, leading to the production of Venetian Blinds.

**1960** - Hunter Douglas expands into Europe, Australia and Latin America.

**1969** - Hunter Douglas stocks are first listed on the Montreal and Amsterdam Stock Exchanges.

**2007** - Two new companies join the Hunter Douglas Group - 3Form and NBK Architectural Terracotta. High design, high performance sustainable building solutions, extending Hunter Douglas' commitment to architectural products that are good for people and the planet.

**2014** - Hunter Douglas launches BXD 3-dimensional linear ceiling.

**2015** - XLnt, a super flat swing down acoustic ceiling is launched.

**2016** - Hunter Douglas launches HeartFelt®, the first modular Felt Ceiling system ever.

## ARCHITECTURAL SERVICES

We support our business partners with a wide range of technical consulting and support services for architects, developers and installers. We assist architects and developers with recommendations regarding materials, shapes and dimensions, colours and finishes. We also help with the creation of design proposals, visualisations, and installation drawings. Our services to installers range from providing detailed installation drawings and instructions to training installers and advising on the building site.

## Learn More

- Contact our Sales office
- [www.hunterdouglasarchitectural.eu](http://www.hunterdouglasarchitectural.eu)



Printed on  
EU Ecolabel  
certified paper



*Hunter Douglas products and solutions are designed to improve indoor environmental quality and conserve energy, supporting built environments that are comfortable, healthy, productive, and sustainable.*



*Our paint and aluminium melting processes are considered to be one of the industry standards in terms of clean production processes. All aluminium products are 100% recyclable at the end of their lifecycle.*







# HunterDouglas Architectural

## **Hunter Douglas Architectural**

Piekstraat 2

P.O. Box 5072 - 3008 AB Rotterdam

The Netherlands

Tel. +31 (0)10 - 486 99 11

Fax +31 (0)10 - 484 79 10

[www.hunterdouglasarchitectural.eu](http://www.hunterdouglasarchitectural.eu)

© 2018 Hunter Douglas. All rights reserved. All trademarks used herein are the property of their respective owners.